

K-Nr.: 25817
 K-no.:

Powerline Transformer

 Datum: 30.01.2012
 Date:

 Kunde:
 Customer

 Kd. Sach Nr.:
 Customers part no.:

 Seite 1 von 3
 Page of

 Maßbild (mm): Freimaßtoleranz DIN ISO 2768-c
 Mechanical outline General tolerances

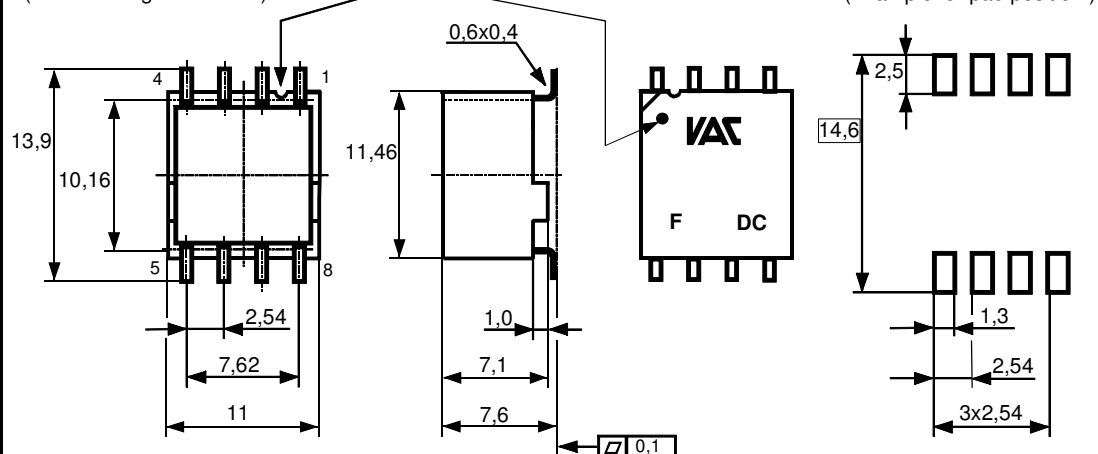
 Anschlüsse:
 Connections:

 Not connected pins
 6, 7

 Toleranz der Stiftabstände
 ±0,2 mm
 (Tolerances grid distance)

 Kennzeichnung Stift 1
 (marking pin 1)

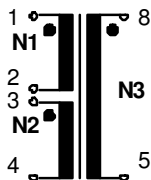
 DC=Date Code
 F=Factory

 Vorschlag zur Anordnung
 der Anschlußflächen
 (Example for pad position)

 Beschriftung:
 marking

 Anschlußschema:
 Schematic diagram

 Betriebsdaten/Charakteristische Daten (Richtwerte):
 Operational data/characteristic data (nominal values):

IC side mains side


 $\ddot{u} = 1 : 1 : 2$
 $f = 10 \dots 1000 \text{ kHz}$
 $I_{DC} < 140 \text{ mA}$
 $R_{Cu1} \leq 250 \text{ m}\Omega$; $R_{Cu2} \leq 250 \text{ m}\Omega$, $R_{Cu3} \leq 500 \text{ m}\Omega$

Operating temperature: -40 °C ... +85 °C

Storage temperature: -40 °C ... +85 °C

Inspection: (V: 100%-Test; AQL...: DIN ISO 2859-Teil1)

- | | | | | |
|----|------------|----------|--|---|
| 1) | (V) | M3014: | $U_{p,eff} = 3,0 \text{ kV}, 2 \text{ s},$
$U_{p,eff} = 0,5 \text{ kV}, 2 \text{ s},$ | N3 vs N1+N2
N1 vs N2 |
| 2) | (AQL 0,25) | M3011/1: | $L_3 \geq 700 \mu\text{H},$ | $f = 10 \text{ kHz},$ $U_{AC,eff} = 100 \text{ mV}$ |
| 3) | (V) | M3011/6: | Polarity, Turns ratio: | Tolerance $\pm 2 \%$ |

See page 2

Applicable documents: see page 2

Datum	Name	Index	Änderung
30.01.12	Bs	82	Revised acc to EN 60950. Mechanical outline width changed from 10mm to 11mm. M3064 cancelled. M3292 added. OVC 2 instead of 3. CN-199

Hrsg.: KB-E editor	Bearb: Bs designer	KB-PM: Ert. check	freig.: HS released
-----------------------	-----------------------	----------------------	------------------------

K-Nr.: 25817 K-no.:	Powerline Transformer	Datum: 30.01.2012 Date:
Kunde: Customer	Kd. Sach Nr.: Customers part no.:	Seite 2 von 3 Page of

Inspection: (V: 100%-Test; AQL...: DIN ISO 2859-Teil1)

- 4) (Fix05) M3291: Solderability test acc. to chapter 1
- 5) (AQL 1/S4) M3200: Mechanical test

Type test

- 1) High voltage test according to M3014
 $U_{p,eff} = 3 \text{ kV}$, 1 min, N1+N2 vs N3
- 2) M3292: Resistance to soldering heat acc. to chapter 2

Measurements after temperature balance of the test samples at room temperature

Applicable documents:

Designed, manufactured and tested in accordance to EN 60950 (IEC 950) and complies with the standards.

Parameters: Reinforced insulation: N1+N2 vs N3

Working voltage: 400 V r.m.s.

Overvoltage category: 2

Pollution degree: 2

Insulation material group: 3

Housing material, casting resin and wire UL – listed

Packing: Drypack / MSL according VAC M3027

Hrsg.: KB-E editor	Bearb: Bs designer		KB-PM: Ert. check		freig.: HS released
-----------------------	-----------------------	--	----------------------	--	------------------------

K-Nr.: 25817
K-no.:

Powerline Transformer

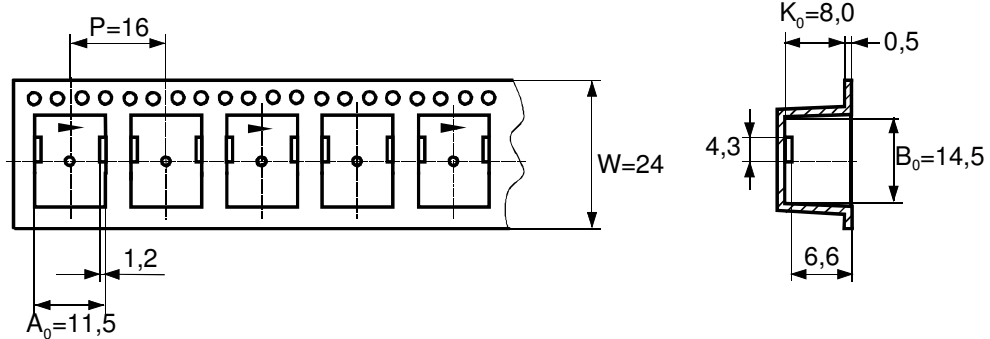
Datum: 30.01.2012
Date:

Kunde:
Customer

Kd. Sach Nr.:
Customers part no.:

Seite 3 von 3
Page of

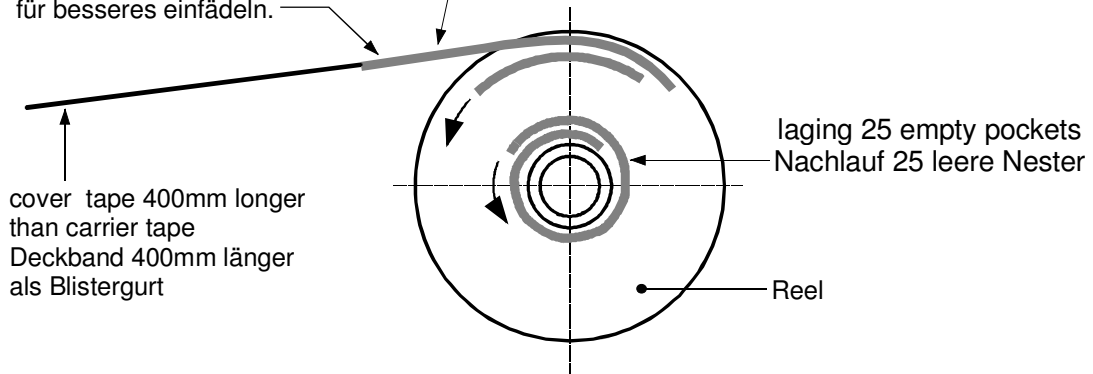
packing information / Verpackungsinformation



the first two nests must be crushed for better pockets.
Die ersten zwei Nester gequetscht für besseres einfädeln.

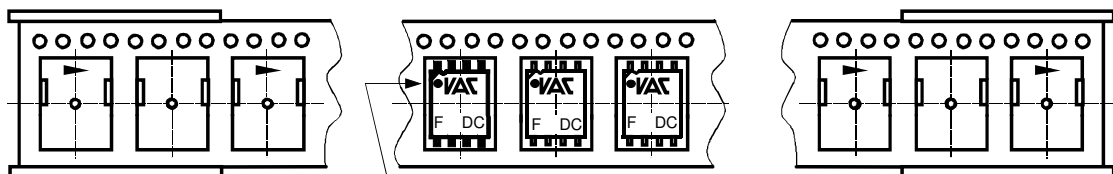
leading 25 empty pockets
Vorlauf 25 leere Nester

lagging 25 empty pockets
Nachlauf 25 leere Nester



lagging: >25 empty pockets
Nachlauf >25 leere Nester

leading: >25 empty pockets
Vorlauf >25 leere Nester



Orientation of Pin 1 in carrier tape
Anordnung von Stift 1 im Blistergurt

Insertion of components according orientation 3 shown in M-sheet 3510
Einsetzen der Bauelemente nach M-Blatt 3510 Orientierung 3

quantities in packing: 450 pieces/tape (packing carton) 450 Bauelemente/Rolle
Verpackungsmenge 5 tapes reel/carton (outside)=2250 pieces /carton(outside)
5 Rollen/Karton =2250 Bauelemente /Außenkarton

Hrsg.: KB-E
editor

Bearb: Bs
designer

KB-PM: Ert.
check

freig.: HS
released

X-ON Electronics

Largest Supplier of Electrical and Electronic Components

Click to view similar products for [Audio Transformers / Signal Transformers](#) category:

Click to view products by [Vacuumschmelze](#) manufacturer:

Other Similar products are found below :

[CX2041NLT](#) [MGPWT-00449-P](#) [PE-64961](#) [H1302FNLT](#) [H5008FNL](#) [H5012FNL](#) [H5020FNLT](#) [H5077NLT](#) [H5079NLT](#) [H5084FNLT](#)
[B78476A9558A003](#) [1812WBT2-4](#) [1879479-1](#) [HX2260FNL](#) [HX5014FNL](#) [EX2024FNL](#) [FL1066](#) [T1137NLT](#) [T3012NL](#) [PE-65812FNL](#) [PE-65848FNLT](#) [H1174FNL](#) [H1302FNL](#) [H5015FNL](#) [H5019EFNL](#) [H5062FNLT](#) [CX2047LNL](#) [MGPWT-00059-P](#) [MGPWT-00266-P](#) [MGPWT-00278-P](#) [MGPWT-00431-P](#) [TTC-100](#) [TTC-143-H](#) [TTC-5032-1](#) [BX1194WNLT](#) [HX1234NLT](#) [HX5008FNLT](#) [HX5019FNL](#) [HX5084NL](#) [3-1879385-5](#) [TX1263NLT](#) [4-1879391-0](#) [T1142NL](#) [HX6101FNL](#) [HX5084FNL](#) [HX1148NL](#) [HX5020FNLT](#) [HX5014FNLT](#) [T1124NL](#)
[1879732-1](#)