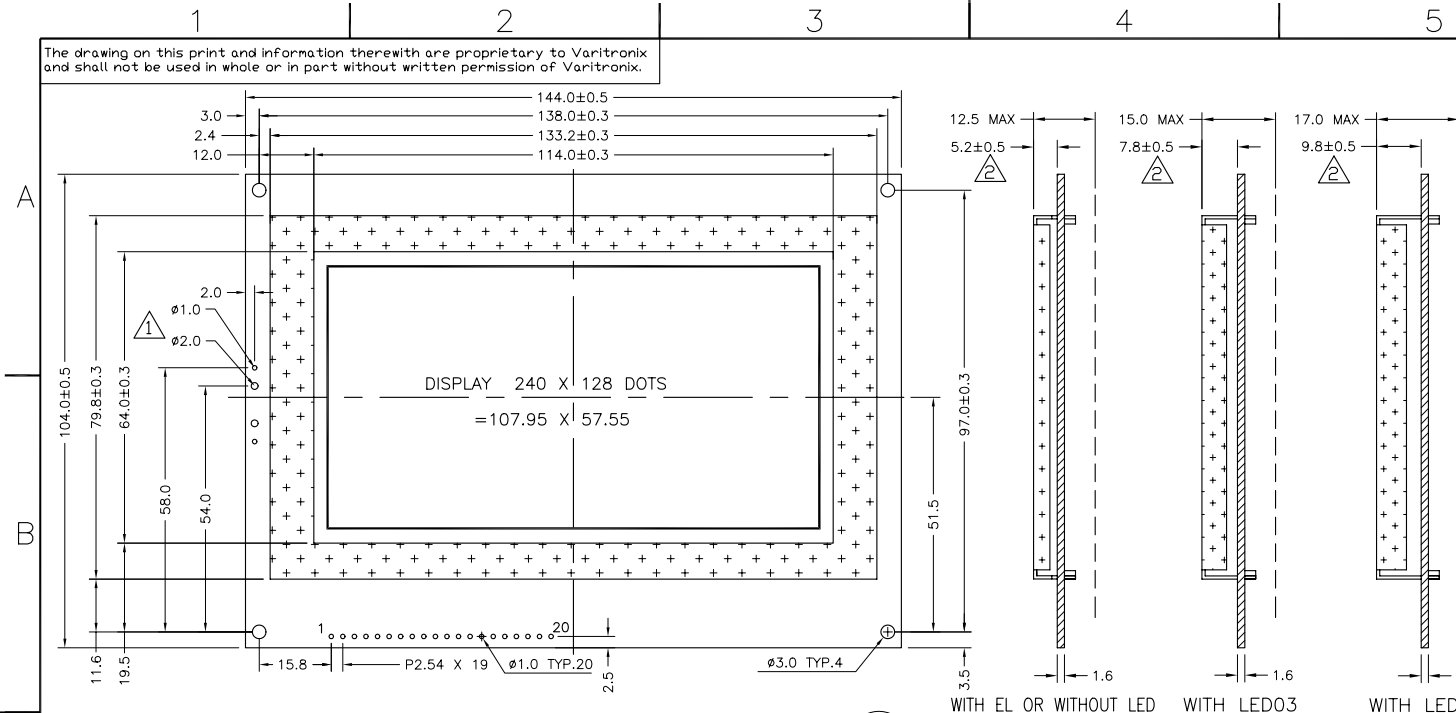
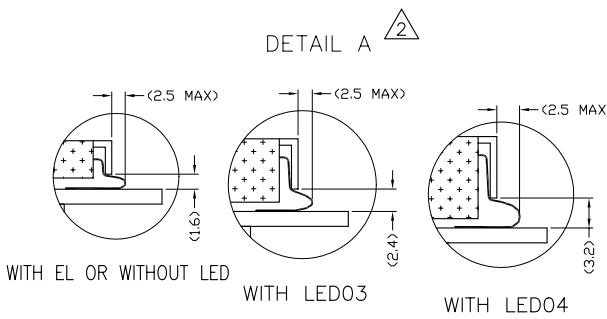
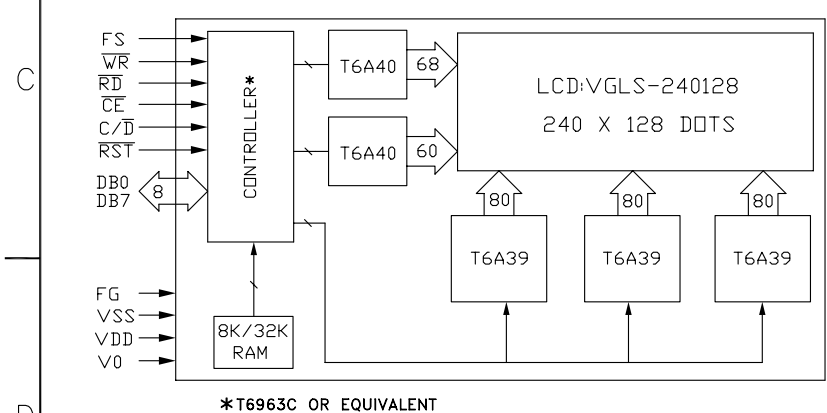
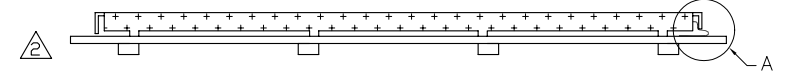
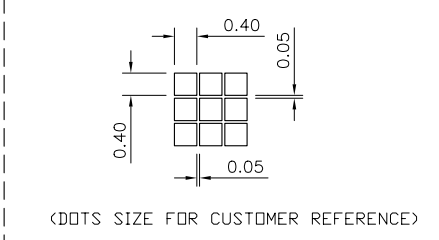


The drawing on this print and information therewith are proprietary to Varitronix and shall not be used in whole or in part without written permission of Varitronix.



| ISSUE | AMENDMENT  | DATE     |
|-------|--|----------|
| 1     | UPDATE DIMENSION<br>ADD THE NOTES                                  | 03.03.25 |
| 2     | ADD BOTTOM VIEW AND DETAIL DRAWING A<br>UPDATE DIMENSION ADD LED05 | 05.08.23 |
|       |  |          |
|       |  |          |



|                                       |                  |           |               |
|---------------------------------------|------------------|-----------|---------------|
| TITLE: LCM Module Specification       |                  |           |               |
| PROJECT NO: MGLS240128TA              |                  |           |               |
| TOLERANCE UNLESS OTHERWISE SPECIFIED: | X.X ±0.3         | X.XX ±0.1 | ANGULAR: ± 1° |
| DIMENSIONS IN MM                      |                  |           |               |
| MATERIAL: N/A                         | FINISH: N/A      |           |               |
| SCALE: DO NOT ON SCALE                | OVERALL THK: N/A |           |               |
| THIRD ANGLE PROJECTION                |                  |           |               |
|                                       | NAME             | SIGN      | DATE          |
| DRAWN:                                | XB LONG          |           |               |
| CHECKED:                              | ZB TANG          |           |               |
| APPROVED:                             | CHARM            |           |               |
| ITEM NO.: MGLS240128TA-XX             |                  |           |               |
| DESCRIPTION: MGLS240128TA             |                  |           |               |
| FILE NO: MGLS240128TA-XX R2 REV: 2    |                  |           |               |
| SHEET                                 | 1                | OF        | 2             |

|    |     |     |    |     |     |     |     |      |     |     |     |     |     |     |     |     |    |        |        |
|----|-----|-----|----|-----|-----|-----|-----|------|-----|-----|-----|-----|-----|-----|-----|-----|----|--------|--------|
| 1  | 2   | 3   | 4  | 5   | 6   | 7   | 8   | 9    | 10  | 11  | 12  | 13  | 14  | 15  | 16  | 17  | 18 | 19     | 20     |
| FG | VSS | VDD | V0 | /WR | /RD | /CE | C/D | /RST | DB0 | DB1 | DB2 | DB3 | DB4 | DB5 | DB6 | DB7 | FS | LED(+) | LED(-) |

- NOTES:**
- ◇ : SPECIAL CHARACTERISTIC
  - + : SAFETY CHARACTERISTIC
  - ▽ : CRITICAL DIMENSION
  - (...) : REFERENCE DIMENSION



The drawing on this print and information therewith are proprietary to Varitronix and shall not be used in whole or in part without written permission of Varitronix.

| ISSUE          | AMENDMENT  | DATE     |
|----------------|--|----------|
| 1              | UPDATE DIMENSION<br>ADD THE NOTES                                  | 03.03.25 |
| 2 <sup>6</sup> | ADD BOTTOM VIEW AND DETAIL DRAWING A<br>UPDATE DIMENSION ADD LED05 | 05.08.23 |
|                |  |          |
|                |  |          |

A

B

C

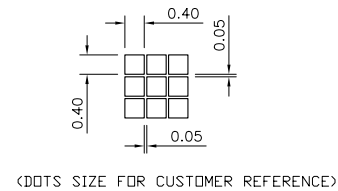
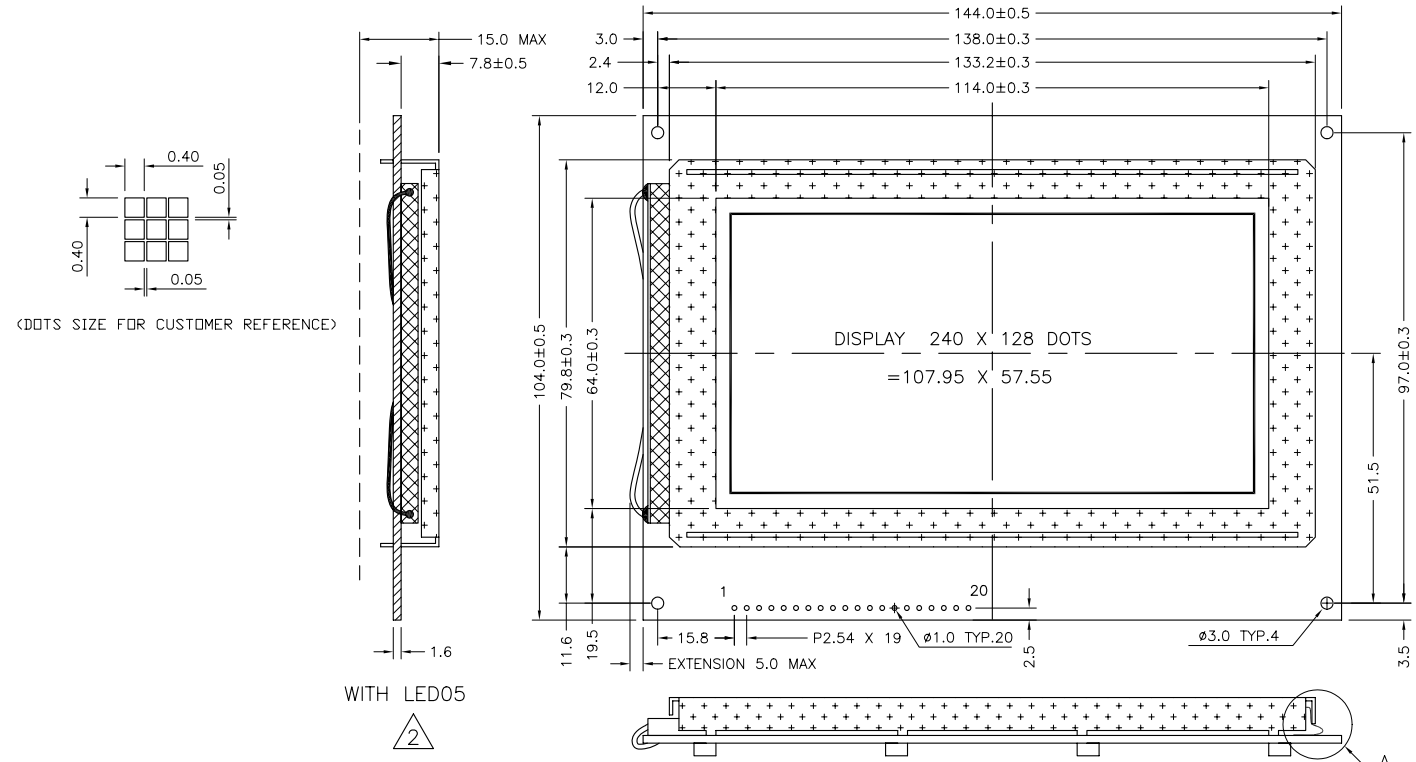
D

A

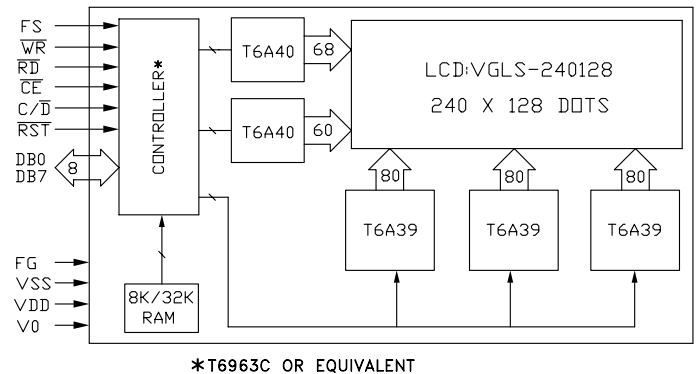
B

C

D



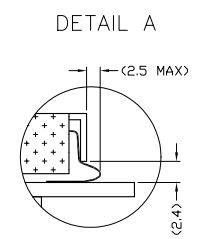
WITH LED05  
 2



| 1  | 2   | 3   | 4  | 5   | 6   | 7   | 8   | 9    | 10  | 11  | 12  | 13  | 14  | 15  | 16  | 17  | 18 | 19     | 20     |
|----|-----|-----|----|-----|-----|-----|-----|------|-----|-----|-----|-----|-----|-----|-----|-----|----|--------|--------|
| FG | VSS | VDD | V0 | /WR | /RD | /CE | C/D | /RST | DB0 | DB1 | DB2 | DB3 | DB4 | DB5 | DB6 | DB7 | FS | LED(+) | LED(-) |

NOTES:  
 1. ◇ : SPECIAL CHARACTERISTIC  
 2. + : SAFETY CHARACTERISTIC  
 3. ▽ : CRITICAL DIMENSION  
 4. (...): REFERENCE DIMENSION

**VE** VARITRONIX LIMITED



| TITLE: LCM Module Specification       |                  |           |               |
|---------------------------------------|------------------|-----------|---------------|
| PROJECT NO: MGLS240128TA              |                  |           |               |
| TOLERANCE UNLESS OTHERWISE SPECIFIED: | X.X ±0.3         | X.XX ±0.1 | ANGULAR: ± 1° |
| DIMENSIONS IN MM                      |                  |           |               |
| MATERIAL: N/A                         | FINISH: N/A      |           |               |
| SCALE: DO NOT ON SCALE                | OVERALL THK: N/A |           |               |
| THIRD ANGLE PROJECTION                |                  |           |               |
|                                       | NAME             | SIGN      | DATE          |
| DRAWN:                                | XB LONG          |           |               |
| CHECKED:                              | ZB TANG          |           |               |
| APPROVED:                             | CHARM            |           |               |
| ITEM NO.: MGLS240128TA-XX             |                  |           |               |
| DESCRIPTION: MGLS240128TA             |                  |           |               |
| FILE NO: MGLS240128TA-XX R2           | REV: 2           |           |               |
| SHEET                                 | 2                | OF        | 2             |

1

2

3

4

5

6

## X-ON Electronics

Largest Supplier of Electrical and Electronic Components

*Click to view similar products for [Display Modules](#) category:*

*Click to view products by [Varitronix](#) manufacturer:*

Other Similar products are found below :

[P6153-PR](#) [TDP0700T800480PCAP](#) [P6171DPR-DC-RS](#) [P6171DPR-DC-U](#) [MIKROMEDIA 4 FOR STM32F4 CAPACITIVE FPI](#)  
[MIKROMEDIA 3 FOR STM32F4 CAPACITIVE FPI](#) [TN0216ANVNANN-GN00](#) [TN0104ANVAANN-GN00](#) [TN0181ANVNANN-GN00](#)  
[MIKROMEDIA 5 FOR TIVA CAPACITIVE](#) [MIKROMEDIA 4 FOR TIVA CAPACITIVE](#) [MIKROMEDIA 4 FOR PIC32MZ CAPACITIVE](#)  
[RVT43ULFNWC03 V4](#) [SM-RVT101HVBFWCA0](#) [SM-RVT101HVBNWCA0](#) [SM-RVT35HHBFWCA0](#) [SM-RVT35HHBNWCA0](#) [SM-](#)  
[RVT43HLBFWCA0](#) [SM-RVT43HLBNWCA0](#) [SM-RVT50HQBNWCA0](#) [SM-RVT70HSBFWCA0](#) [SM-RVT70HSBNWCA0](#) [PIM579](#)  
[1215686](#) [PIM543](#) [DFR0678](#) [P6191PR-DC-U-V3](#) [11769](#) [MIKROMEDIA FOR DSPIC33](#) [MIKROMEDIA FOR PIC24](#) [MIKROMEDIA FOR](#)  
[PIC32](#) [MIKROMEDIA FOR STELLARIS M3](#) [MIKROMEDIA HMI 3.5 RES](#) [MIKROMEDIA HMI 5](#) [MIKROMEDIA PLUS FOR FT90X](#)  
[MIKROMEDIA PLUS FOR PIC32MX7 SHIELD](#) [MIKROMEDIA PROTO SHIELD](#) [14628](#) [MIKROMEDIA 5 FOR TIVA](#) [MIKROMEDIA 5](#)  
[FOR TIVA SHIELD](#) [MIKROMEDIA 7 FOR STM32F4](#) [MIKROMEDIA CONNECT SHIELD](#) [MIKROMEDIA FOR ARM](#) [MIKROMEDIA](#)  
[FOR PSOC5LP](#) [MIKROMEDIA GAMING SHIELD](#) [MIKROMEDIA HMI 4.3 UXB](#) [MIKROMEDIA HMI 5 RES](#) [MIKROMEDIA HMI 5](#)  
[UXB](#) [MIKROMEDIA HMI 7](#) [MIKROMEDIA HMI BREAKOUT BOARD](#)