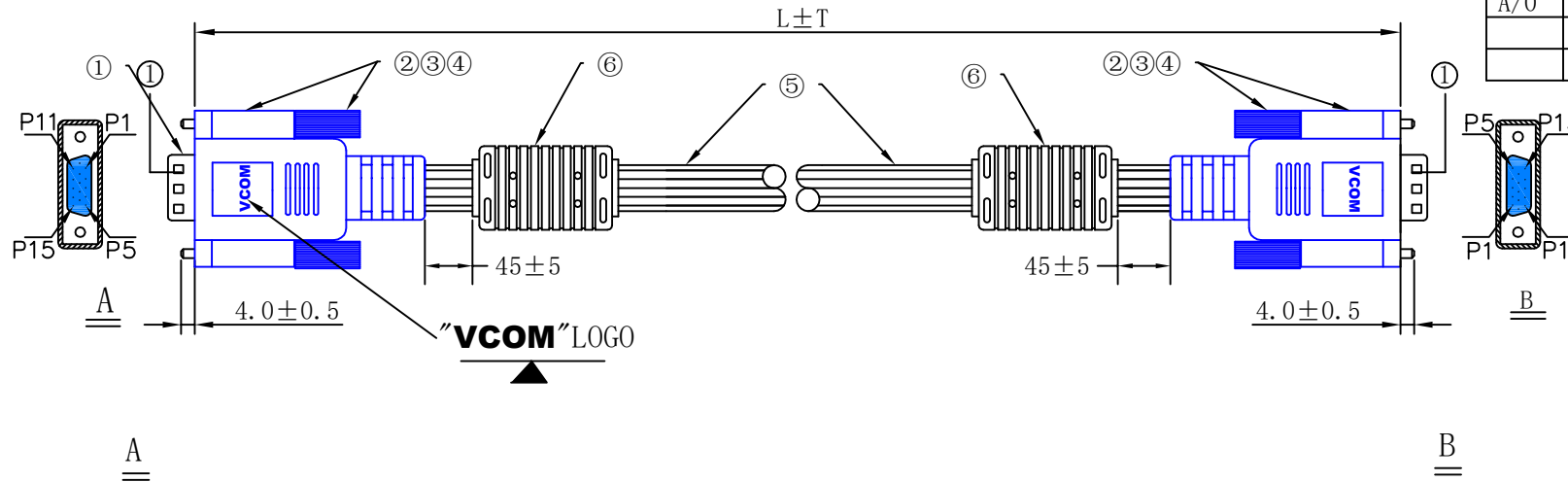


VCOM LOW VOLTAGE 80°C 30V COMPUTER CABLE (A group of white lettering)

REV	Change record	Change the date
A/0	Initial issue	2017-05-13



WIRING TABLE:

<u>A</u>	<u>B</u>
1	1
2	2
3	3
(6+7+8+11+G)	(6+7+8+11+G)
10	10
13	13
14	14
15	15

NO.	Cable length (L)	Cable tolerance (T)
1	1500MM	15MM
2	1800MM	20MM
3	3000MM	30MM
4	5000MM	50MM
5	10000MM	100MM
6		

Test Conditions:

- 100% open & short circuit test;
- Insulation Resistance: 2.0Mohm (MAX);
- Conduction Resistance: 5ohm (MIN) at 300V DC/0.01S .

⑥	FERRITE: $\phi 9.5 \times 17.5 \times 28.5$ mm MOLDING CLOUR:BLACK	PCS			
⑤	CABLE: [(28AWG+SP)*3C+30AWG*4C+ABD, Black Jacket, OD:8.0mm "VCOM" LETTERING	M			
④	THUMB SCREW: $\phi 4.0 \times 32$ mm NICKEL PLATING, TAIL SHAPE BLUE PVC	PCS			
③	OVER MOLDING:45P PVC BLUE	g			
②	INNER MOLDING:LD PE	g			
①	HD15P MALE SOLDERING TYPE ,Blue PBT Insulator, NICKEL PLATING	PCS			
NO.	The material content	Stock NO.	unit	quantity	Mould NO.



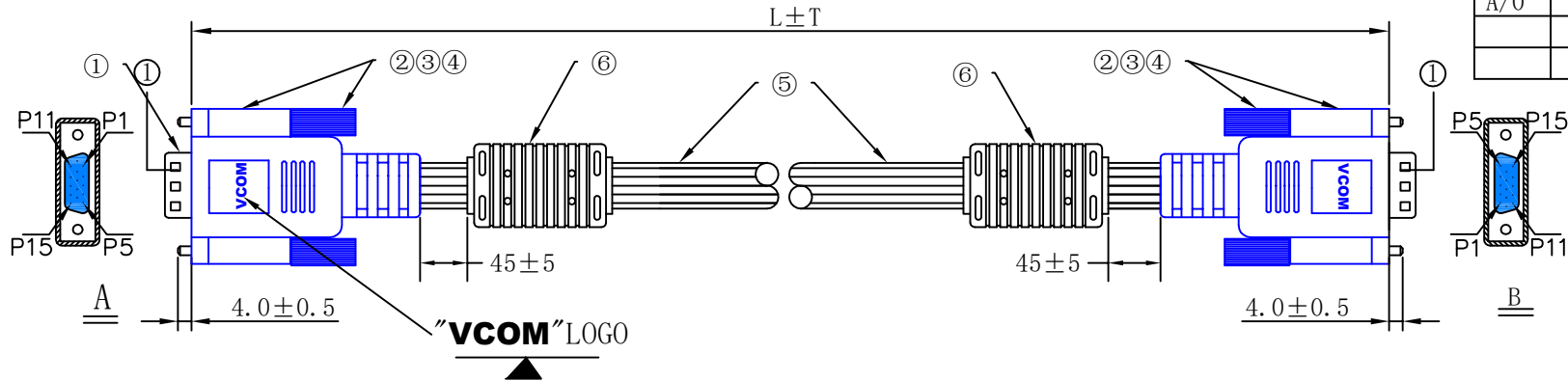
VCOM INTERNATIONAL LTD.

TITLE	HD15M/M+2*CORE	CUSTOMER		CUSTOMER	mm	PAGE: 1 of 1
PART NO.	VC-F10-0004-A	CUSTOMER NO.		SCALE		
PRODUCT NO.	CG341AD	REV:	A/0	DATE	2017-05-13	
APPROVED BY:	CHECKED BY:		DRAWN BY:		CT	

5 4 3 2 1

VCOM LOW VOLTAGE 80°C 30V COMPUTER CABLE (A group of white lettering)

REV	Change record	Change the date
A/0	Initial issue	2017-05-13



WIRING TABLE:

<u>A</u>	<u>B</u>
1 _____	1 _____
2 _____	2 _____
3 _____	3 _____
(6+7+8 +11+G)	(6+7+8 +11+G)
10 _____	10 _____
13 _____	13 _____
14 _____	14 _____
15 _____	15 _____

NO.	Cable length (L)	Cable tolerance (T)
1	1500MM	150MM
2	2000MM	200MM
3	2500MM	250MM
4	3000MM	300MM
5	3500MM	350MM

Test Conditions:

- 1.100% open & short circuit test;
2. Insulation Resistance: 2.0Mohm (MAX);
3. Conduction Resistance: 5ohm (MIN) at 300V DC/0.01S .

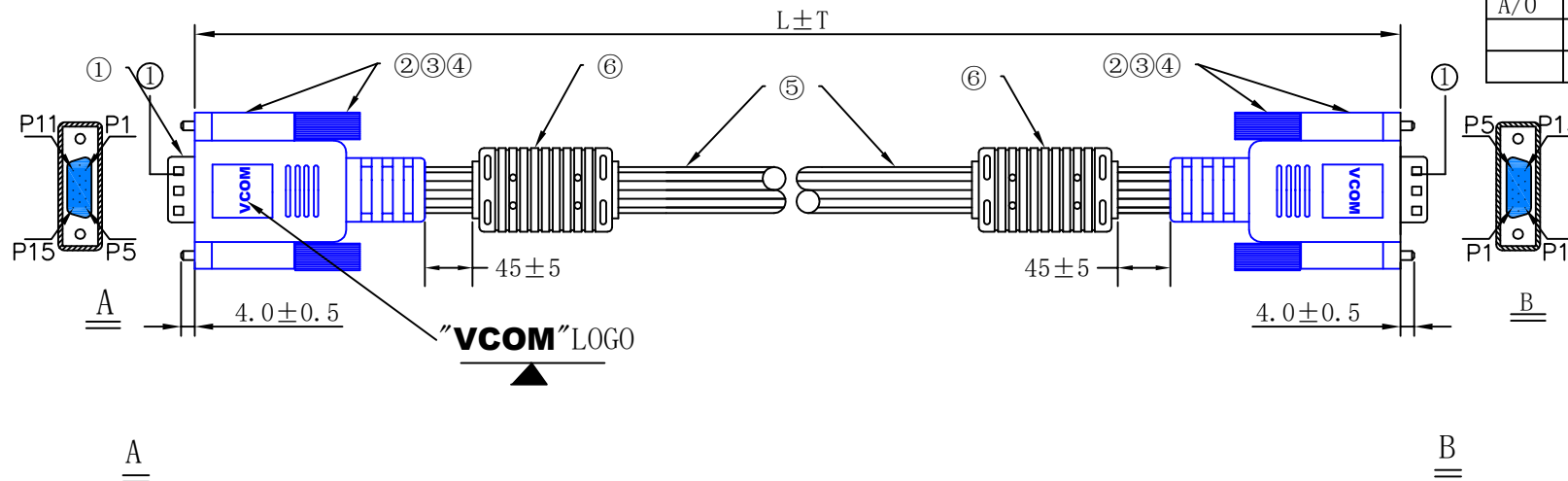
⑥	FERRITE: φ9.5*17.5*28.5mm MOLDING CLOUR:BLACK	PCS		
⑤	CABLE: [(28AWG+SP)*3C+28AWG*4C+ABD, Black Jacket, OD:8.0mm "VCOM" LETTERING	M		
④	THUMB SCREW: φ4.0*32mm NICKEL PLATING, TAIL SHAPE BLUE PVC	PCS		
③	OVER MOLDING:45P PVC BLUE	g		
②	INNER MOLDING:LD PE	g		
①	HD15P MALE SOLDERING TYPE ,Blue PBT Insulator, NICKEL PLATING	PCS		
NO.	The material content	Stock NO.	unit	quantity Mould NO.

VCOM VCOM INTERNATIONAL LTD.

TITLE	HD15M/M+2*CORE	CUSTOMER		CUSTOMER	mm	PAGE: 1 of 1
PART NO.	VC-F10-0004-B	CUSTOMER NO.		SCALE		
PRODUCT NO.	CG341AD	REV:	A/0	DATE	2017-05-13	
APPROVED BY:		CHECKED BY:		DRAWN BY:	CT	

VCOM LOW VOLTAGE 80°C 30V COMPUTER CABLE (A group of white lettering)

REV	Change record	Change the date
A/0	Initial issue	2017-05-13



WIRING TABLE:

A	B
1	1
2	2
3	3
Ⓞ 6+7+8 +11+G	Ⓞ 6+7+8 +11+G
10	10
13	13
14	14
15	15

NO.	Cable length (L)	Cable tolerance (T)
1	4000MM	400MM
2	5000MM	500MM
3		

Test Conditions:

- 100% open & short circuit test;
- Insulation Resistance: 2.0Mohm (MAX);
- Conduction Resistance: 5ohm (MIN) at 300V DC/0.01S .

⑥	FERRITE: φ9.5*17.5*28.5mm MOLDING CLOUR:BLACK	PCS		
⑤	CABLE: [(28AWG+SP)*3C+26AWG*4C+ABD, Black Jacket, OD:8.0mm "VCOM" LETTERING	M		
④	THUMB SCREW: φ4.0*32mm NICKEL PLATING, TAIL SHAPE BLUE PVC	PCS		
③	OVER MOLDING:45P PVC BLUE	g		
②	INNER MOLDING:LD PE	g		
①	HD15P MALE SOLDERING TYPE ,Blue PBT Insulator, NICKEL PLATING	PCS		
NO.	The material content	Stock NO.	unit	quantity

VCOM VCOM INTERNATIONAL LTD.

TITLE	HD15M/M+2*CORE	CUSTOMER		mm	PAGE: 1 of 1
PART NO.	VC-F10-0004-C	CUSTOMER NO.		SCALE	
PRODUCT NO.	CG341AD	REV:	A/0	DATE	2017-05-13
APPROVED BY:	CHECKED BY:		DRAWN BY: CT		

X-ON Electronics

Largest Supplier of Electrical and Electronic Components

Click to view similar products for [Audio Cables](#) / [Video Cables](#) / [RCA Cables](#) category:

Click to view products by [VCOM](#) manufacturer:

Other Similar products are found below :

[1-3737-600-3216](#) [LF3BLX](#) [30-513](#) [28-511-0](#) [RCA05RCAB](#) [427493000-3](#) [49152A-010-S2](#) [32-3766](#) [32HR07284X](#) [CAB-LFH-V16A16S0](#)
[DB25M02XLRMXLRFY](#) [426052000-3](#) [LF1BKX](#) [TT746](#) [CA-MINIDP-DVIM-6FT](#) [CA-MINIDP-DVIM-3FT](#) [CA-MINIDP-DVIM-10FT](#)
[CA-MINIDP-VGAF-3FT](#) [CA-MINIDP-HDMIF-6FT](#) [MDC8P53](#) [LF10GNX](#) [427492100-3](#) [LF4BLX](#) [cab-DP to HDMI Passive](#) [VGA CABLE](#)
[DISPLAYPORT TO VGA CABLE](#) [TT3GNX](#) [1700021831-01](#) [Audio Cable](#) [427491690-3](#) [427528000-3](#) [TT2PX](#) [SPEAKER CABLE](#)
[L=300mm](#) [Speaker cable](#) [594E3412000E](#) [32007-005500-200-RS](#) [BCLBH](#) [BANHF](#) [BAPHG](#) [COQBI](#) [COQBG](#) [COEHG](#) [COJBI](#) [DAEBK](#)
[51771](#) [39448](#) [VAB-S04-L](#) [VAS-A13-B200](#) [VAS-A13-B300](#) [KABADA USBC/JACK OEM-C11](#)