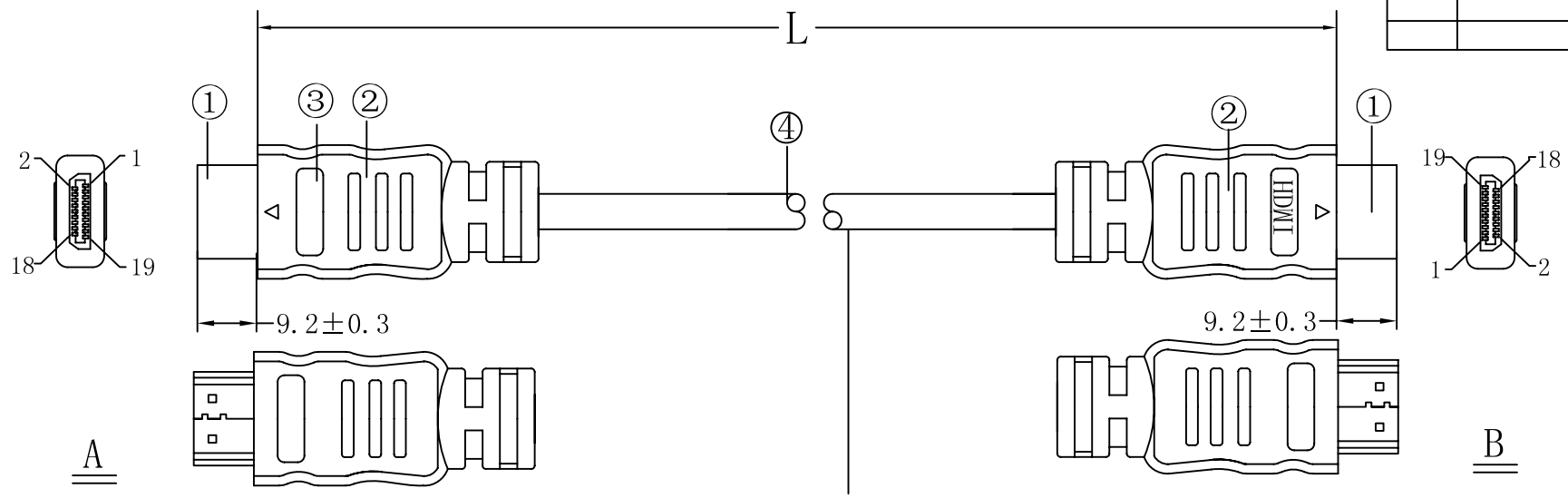


REV	RESRIPTION	DATE



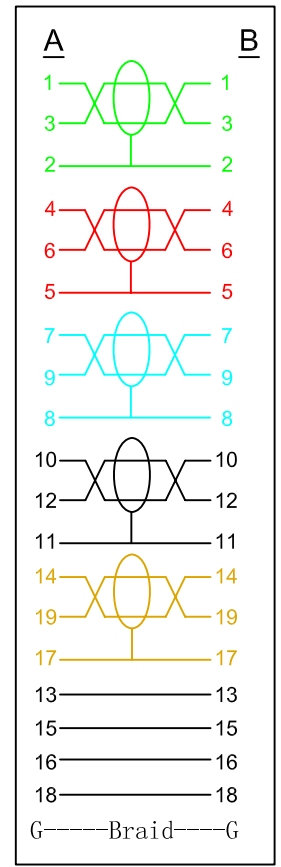
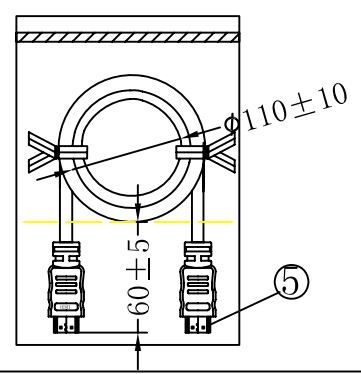
VCOM AWM 20276 80°C 30V VW-1 High Speed HDMI Cable With Ethernet

Cable length (L)	Tolerance (T)
1800	20
3000	30
5000	50

Test Conditions:

1. 100% open & short circuit test;
2. Insulation Resistance: 2.0ohm (MAX);
3. Conduction Resistance: 10Mohm (MIN) at 300V DC/0.01S .

PACKING DRAWING:



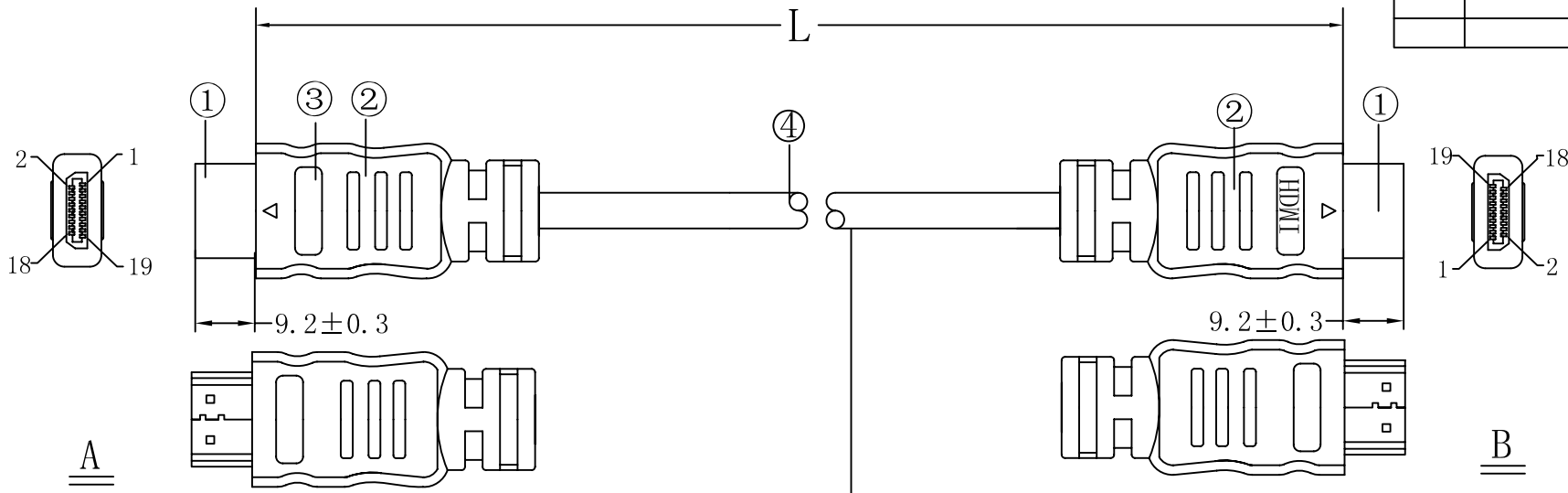
NOT: COAX

⑤	HDMI BOOT:PVC, TRANSPARENT, 65P, ANTIOXIDANT		PCS	2	
④	INNER MOLDING:HDPE		g		
③	CABLE: [(30AWG*1P+DW+AL Foil+MYLAR)*5P+1P+2C]+AL Foil+DW+BD 1.4V, OFC Conductor BLACK OD:7.3mm		mm	L	
②	OVER MOLDING:50P PVC BLACK	520-6107-50	g		
①	HDMI 19PIN MALE SOLDERING TYPE GOLD PLATED		PCS	2	S-D100B/S-D100A
NO.	MATERIAL DESCRIPTION	MATERIAL NUMBER	UNIT	QTY	MOLD NO. :

VCOM International Ltd.

TITLE	HDMI19PM/M	CUSTOMER	ETE	UNIT	mm	PAGE: 1 of 1
PART NO.	SAM-AC-0107A	CUSTOMER NO.				
PRODUCT NO.		REV	A/0	DATE	2016-05-10	
DRAWN BY:	Xiang	CHECKED BY:		APPROVED BY:		

REV	RESRIPTION	DATE



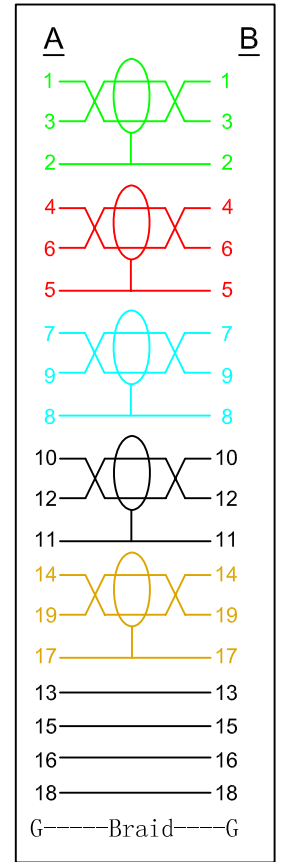
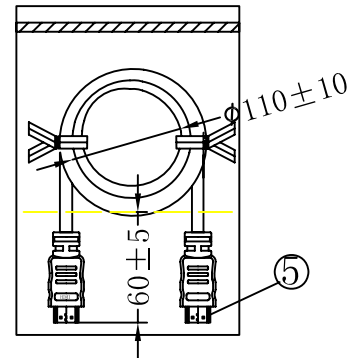
VCOM AWM 20276 80°C 30V VW-1 High Speed HDMI Cable With Ethernet

Cable length (L)	Tolerance (T)
10000	100

Test Conditions:

- 100% open & short circuit test;
- Insulation Resistance: 2.0ohm (MAX);
- Conduction Resistance: 10Mohm (MIN) at 300V DC/0.01S .

PACKING DRAWING:



NOT: COAX

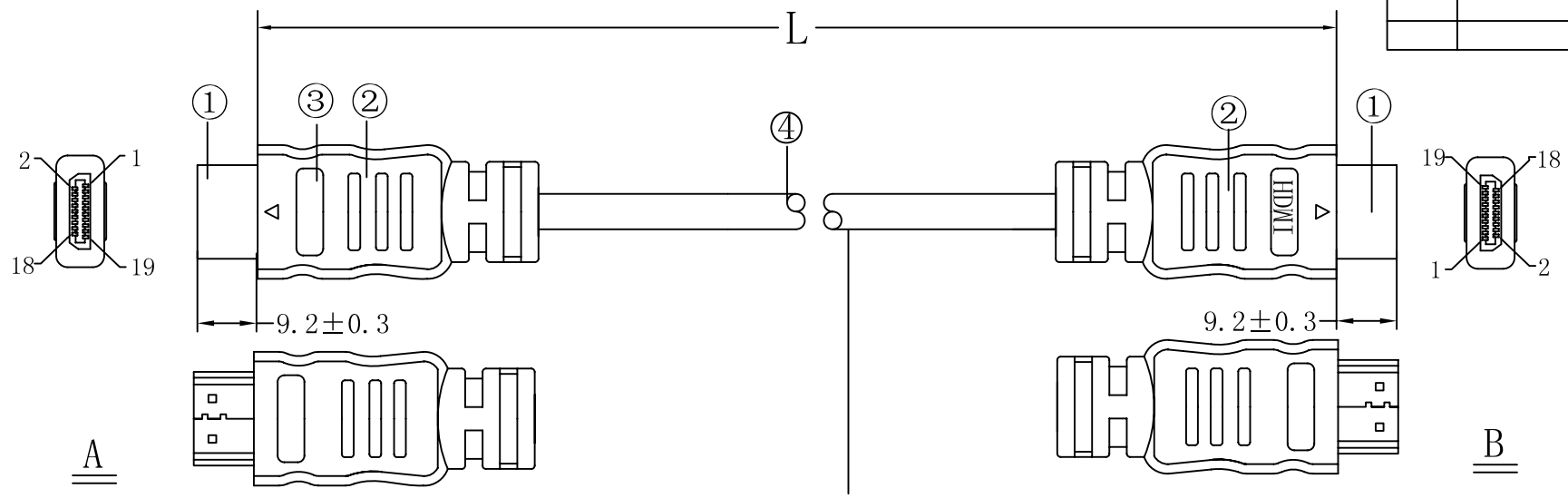
⑤	HDMI BOOT:PVC, TRANSPARENT, 65P, ANTIOXIDANT		PCS	2	
④	INNER MOLDING:HDPE		g		
③	CABLE: [(28AWG*1P+DW+AL Foil+MYLAR)*5P+1P+2C]+AL Foil+DW+BD 1.4V OFC Conductor BLACK OD:7.3mm		mm	L	
②	OVER MOLDING:50P PVC BLACK	520-6107-50	g		
①	HDMI 19PIN MALE SOLDERING TYPE GOLD PLATED		PCS	2	S-D100B/S-D100A
NO.	MATERIAL DESCRIPTION	MATERIAL NUMBER	UNIT	QTY	MOLD NO. :



VCOM International Ltd.

TITLE	HDMI19PM/M	CUSTOMER	ETE	UNIT	mm	PAGE: 1 of 1
PART NO.	SAM-AC-0108A	CUSTOMER NO.				
PRODUCT NO.		REV	A/0	DATE	2016-05-10	
DRAWN BY:	Xiang	CHECKED BY:		APPROVED BY:		

REV	RESRIPTION	DATE



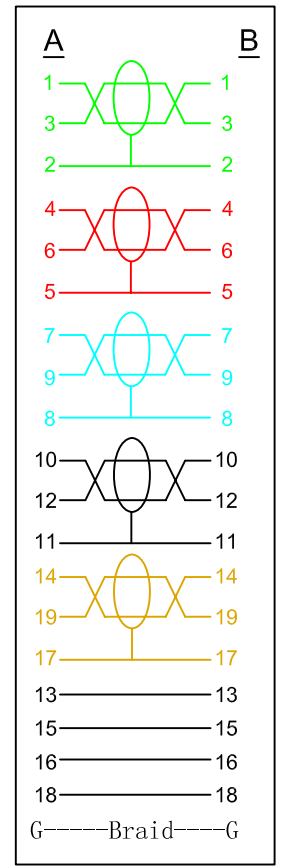
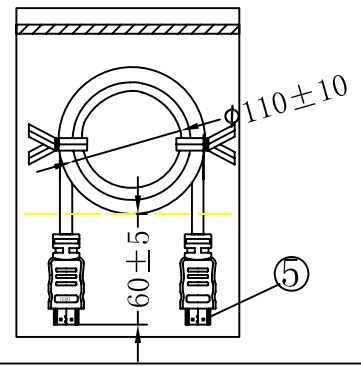
VCOM AWM 20276 80°C 30V VW-1 High Speed HDMI Cable With Ethernet

Cable length (L)	Tolerance (T)
20000	200

Test Conditions:

1. 100% open & short circuit test;
2. Insulation Resistance: 2.0ohm (MAX);
3. Conduction Resistance: 10Mohm (MIN) at 300V DC/0.01S .

PACKING DRAWING:



NOT: COAX

⑤	HDMI BOOT:PVC, TRANSPARENT, 65P, ANTIOXIDANT		PCS	2	
④	INNER MOLDING:HDPE		g		
③	CABLE:[(24AWG*1P+DW+AL Foil+MYLAR)*5P+1P+2C]+AL Foil+DW+BD 1.4V OFC Conductor BLACK OD:9.0mm		mm	L	
②	OVER MOLDING:50P PVC BLACK	520-6107-50	g		
①	HDMI 19PIN MALE SOLDERING TYPE GOLD PLATED		PCS	2	S-D100B/S-D100A
NO.	MATERIAL DESCRIPTION	MATERIAL NUMBER	UNIT	QTY	MOLD NO. :

VCOM International Ltd.

TITLE	HDMI19PM/M	CUSTOMER	ETE	UNIT	mm	PAGE: 1 of 1
PART NO.	SAM-AC-0109A	CUSTOMER NO.				
PRODUCT NO.		REV	A/0	DATE	2016-05-10	
DRAWN BY: Xiang		CHECKED BY:		APPROVED BY:		

X-ON Electronics

Largest Supplier of Electrical and Electronic Components

Click to view similar products for [HDMI Cables](#) category:

Click to view products by [VCOM](#) manufacturer:

Other Similar products are found below :

[426301400-3](#) [CA-MINIDP-HDMIF-10FT](#) [PCL-10119-1E](#) [S-HDI-DVI-2](#) [S-HDI-DVI-5](#) [31888](#) [31907](#) [31908](#) [31911](#) [31913](#) [31914](#) [31919](#)
[31920](#) [31921](#) [31923](#) [31926](#) [31929](#) [31930](#) [31932](#) [31937](#) [31938](#) [CV0036B](#) [CV0038](#) [CV0055](#) [CV0057](#) [CV0058B](#) [CV0059B](#) [50580](#) [50581](#)
[50582](#) [50989](#) [51579](#) [51586](#) [51724](#) [51758](#) [51957](#) [52859](#) [31890](#) [31891](#) [31894](#) [31895](#) [31922](#) [31924](#) [31927](#) [31928](#) [31931](#) [31933](#) [31934](#)
[CA311-PB](#) [CA312-PB](#)