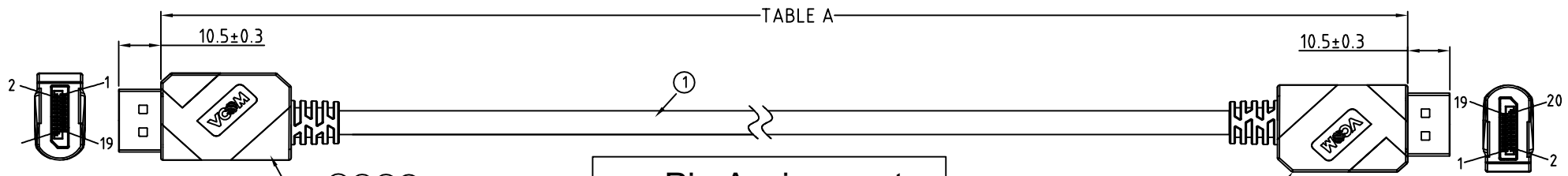


REV	REV.LTR	BEFORE REVISION	AFTER REVISION	SIGN	DATE
A/0					2022/12/5



Pin Assignment

P1		P2
1	Brown	12
3	White	10
2	Drain	11
4	Red	9
6	White	7
5	Drain	8
7	Green	6
9	White	4
8	Drain	5
10	Blue	3
12	White	1
11	Drain	2
15	Black	15
17	Drain	17
16	Drain	16
13	Red	13
14	Yellow	14
18	White	18
19	Orange	19
SHELL	Braid+Drain	SHELL

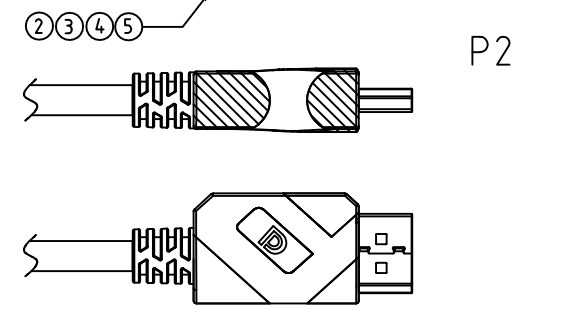
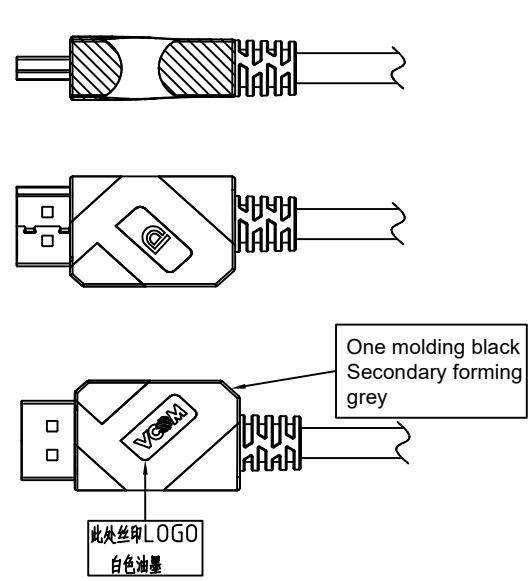


TABLE A

P/NO.	Length of finished product	Impedance of conduction
CG622-G-1.5	1500±30mm	3Ω
CG622-G-2.0	2000±30mm	3Ω



- NOTES:**
- 1.100% OPEN,SHORT & MISWIRE TESE
 - 2.CONDUCTIVE RESISTANCE:TABLE A/MAX
 - 3.INSULATION RESISTANCE:10MΩ/MIN.AT DC300V/10ms
 - 4.SUPPORT 8K@60Hz,TDR TEXT 32.4Gbps

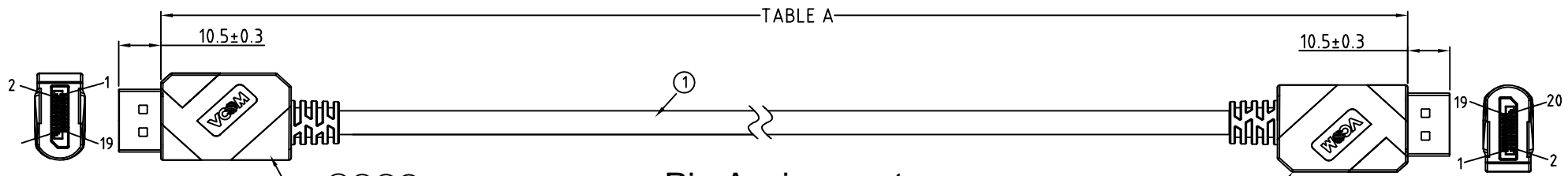
Unit	mm	The general tolerance						
Scale	5:1	xx.:±0.3	5	shell	PVC 45pa gray UL94V-0,PANTON Cool Gray 11U	N/A	g	
Third angle projection		x.x.:±0.1	4	PVC	SPVBK-002	PVC 45Pa Black UL94V-0	N/A	g
			3	PE	SPETR-001	PE Low density	N/A	g
		.xx.:±0.05	2	CONN	CHDM-103	DP/M PIN:G/F SHELL:G/F Insulator:Black NO card hook	1	pcs
			1	WIRE	WUDB55930C1-001	(30AWG*1P+1C+AL)*5+30AWG*5C+F+ADB Ø7.3mm PVC Jack Black	TABLE A	mm
			NO.	NAME	PAPT NO	SPECIFICATIONS	QTY	UNIT

APPROVED BY	CHECKED BY	DRAWN BY
XIANG		CHEN

VCOM VCOM INTERNATIONAL LTD.

DESCRIPTION:	DP/M TO M,1.4V
P/N:	CG622-G
DRAWN NO:	

REV	REV.LIR	BEFORE REVISION	AFTER REVISION	SIGN	DATE
A/0					2022/12/5



Pin Assignment

P1		P2
1	Brown	12
3	White	10
2	Drain	11
4	Red	9
6	White	7
5	Drain	8
7	Green	6
9	White	4
8	Drain	5
10	Blue	3
12	White	1
11	Drain	2
15	Black	15
17	Drain	17
16	Drain	16
13	Red	13
14	Yellow	14
18	White	18
19	Orange	19
SHELL	Braid+Drain	SHELL

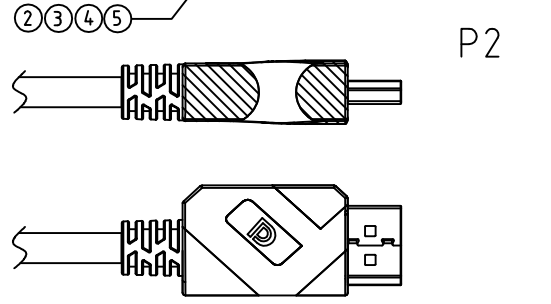
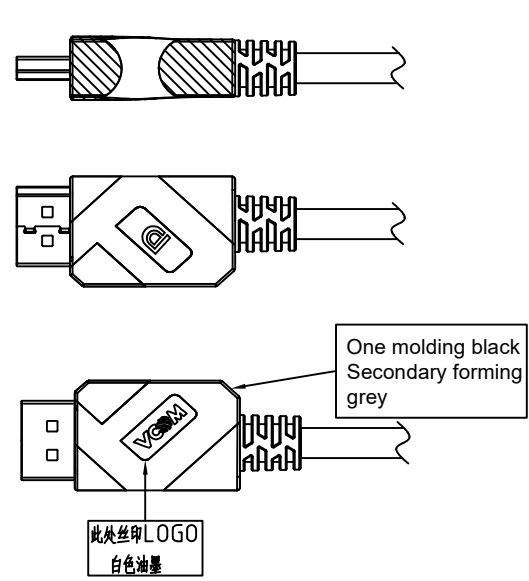


TABLE A

Linkey P/N	P/NO.	Length of finished product	Impedance of conduction
EP1P1-0110	CG622-G-3	3000±40mm	3Ω



- NOTES:
- 100% OPEN, SHORT & MISWIRE TESE
 - CONDUCTIVE RESISTANCE: TABLE A/MAX
 - INSULATION RESISTANCE: 10MΩ/MIN. AT DC300V/10ms
 - SUPPORT 8K@60Hz, TDR TEXT 32.4Gbps

Unit	mm	The general tolerance							
Scale	5:1	xx.:±0.3	5	shell	PVC 45pa gray UL94V-0, PANTON Cool Gray 11U	N/A	g		
Third angle projection		x.x.:±0.1	4	PVC	SPVBK-002	PVC 45Pa Black UL94V-0	N/A	g	
			3	PE	SPETR-001	PE Low density	N/A	g	
		.xx.:±0.05	2	CONN		DP/IM PIN:G/F SHELL:G/F Insulator:Black NO card hook	1	pcs	
			1	WIRE	WUDB55928C1-001	(28Awg(bc)*1P+AL)*5C+30Awg(bc)*4C+ADB Ø7.3mm PVC Jack Black	TABLE A	mm	
			NO.	NAME	PAPT NO	SPECIFICATIONS	QTY	UNIT	

APPROVED BY	CHECKED BY	DRAWN BY
XIANG		CHEN

VCOM VCOM INTERNATIONAL LTD.

DESCRIPTION: DP/M TO M

P/N: CG622-G

DRAWN NO:

X-ON Electronics

Largest Supplier of Electrical and Electronic Components

Click to view similar products for [HDMI, Displayport & DVI Connectors](#) category:

Click to view products by [VCOM](#) manufacturer:

Other Similar products are found below :

[30-528](#) [30-504](#) [33DVIR-24S1B](#) [47648-2000](#) [TC142X](#) [HAGBH](#) [AABII](#) [AAIBG](#) [AAIBH](#) [AANBG](#) [52355](#) [XHLJQ-00026](#) [HDMI-019R](#)
[G46M2013201AWEU](#) [ST-0277D00-052-142](#) [PJ-399M](#) [PJ-615-5A](#) [HDMI-S-125-D](#) [PJ-359](#) [PJ-3850-5A](#) [PJ-3250D-5A](#) [KH-PJ-359](#) [58490](#)
[DS-45404](#) [60907](#) [60616](#) [AAMBJ](#) [61275](#) [61161](#) [61297](#) [KABHD](#) [OEM-40](#) [61293](#) [61304](#) [DS-45316](#) [50355](#) [AK-330115-010-S](#) [AK-330101-](#)
[002-S](#) [AHCBI](#) [AK-330127-300-S](#) [AAGBH](#) [CG526-B-3.0](#) [64866](#) [CG525-R-1.8](#) [61296](#) [CG865-3](#) [CG517-3.0](#) [EAEBD](#) [65262](#) [CG862-1.5](#)
[AK-340103-050-S](#)