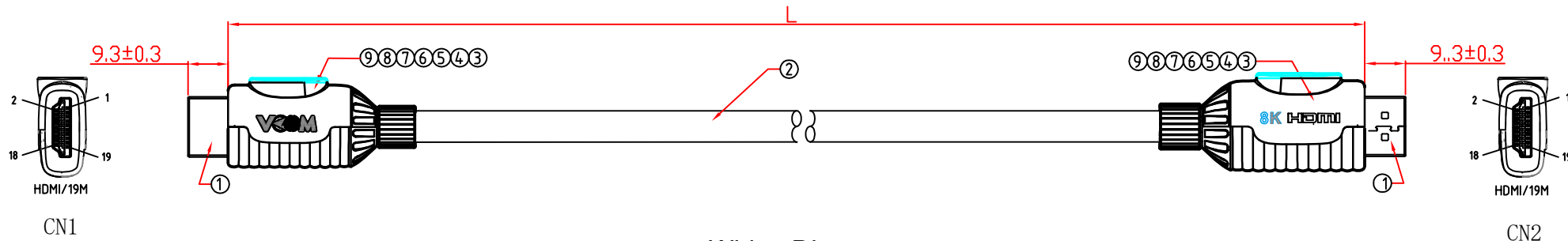


REV	DESCRIPTION	DATE



Wiring Diagram

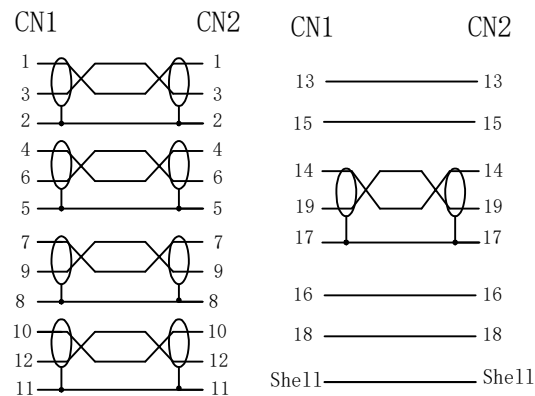


Figure No.	Length	Tolerance
CG864-0.5	500mm	±20
CG864-1.0	1000mm	±20
CG864-1.5	1500mm	±20
CG864-2.0	2000mm	±20

1. Electrical Testing

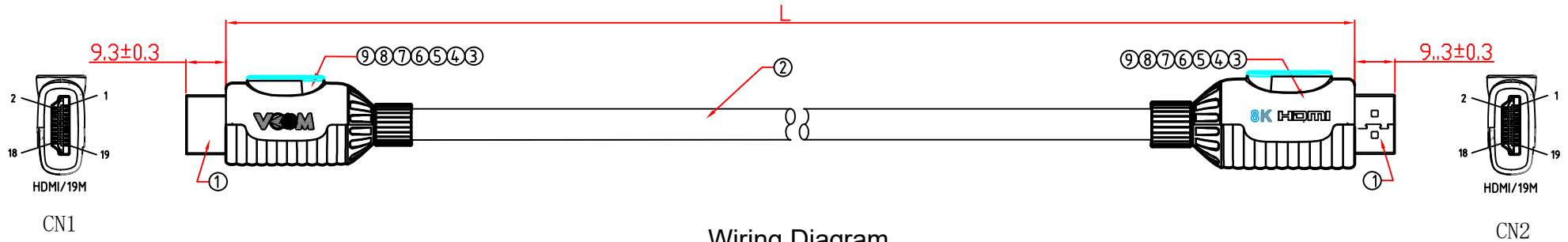
- 100% open circuit, short circuit and misalignment test;
 - Insulation impedance: DC voltage 300V impedance 10MΩMIN;
 - Conduction impedance: 5Ω;
 - Hi-pot test: AC 200V/S, 1mA ;
2. The products meet the requirements of ROHS, the company's environmental substance management standard.
3. 100% Computer + display/TV 7680*4320/60HZ test .

⑨	SHELL	Gun black high-gloss zinc shell	2PCS
⑧	COPPER FOIL	Double-sided conductive copper foil	/m
⑦	SHIELDING SHELL	HDMI AM Lower shield shell	2PCS
⑥	SHIELDING SHELL	HDMI AM Upper shield shell	2PCS
⑤	COMPOUND	PVC 45P Black Compound	/KG
④	COMPOUND	PE Compound, Transparent color	/KG
③	WIRE CLIP	HDMI19P wire clip 30AWG Black PBT	2PCS
②	CABLE	(30AWG*1P+D30AWG*1C)*5P+30AWG*4C+ADB+Black and gray mesh Braid	/M
①	CONNECTOR	HDMI19P A/M, PIN Gold plated G/F, Gold plated housing	2PCS
NO	NAME	Material Description	Usage

VCOM VCOM International Ltd.

TITLE	HDMI 2.1 19P A/M-19P A/M	CUSTOMER		UNIT	mm	PAGE:1of1
PART NO.		CUSTOMER NO.				
PRODUCT NO.	CG864	REV		A/0	DATE	2022-12-8
DRAWN BY: CHEN		CHECKED BY:		APPROVED BY: XIANG		

REV	DESCRIPTION	DATE



Wiring Diagram

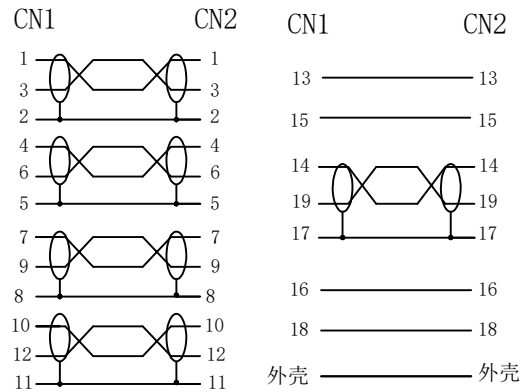


Figure No.	Length	Tolerance
CG864-3.0	3000mm	±30

1. Electrical Testing

- (1). 100% open circuit, short circuit and misalignment test;
- (2). Insulation impedance: DC voltage 300V impedance 10MΩMIN;
- (3). Conduction impedance: 5Ω;
- (4). Hi-pot test: AC 200V/S, 1mA ;
- 2. The products meet the requirements of ROHS, the company's environmental substance management standard.
- 3. 100% Computer + display/TV 7680*4320/60HZ & 3840*2160/144HZ test .

⑨	SHELL	Gun black high-gloss zinc shell	2PCS
⑧	COPPER FOIL	Double-sided conductive copper foil	/m
⑦	SHIELDING SHELL	HDMI AM Lower shield shell	2PCS
⑥	SHIELDING SHELL	HDMI AM Upper shield shell	2PCS
⑤	COMPOUND	PVC 45P Black Compound	/KG
④	COMPOUND	PE Compound, Transparent color	/KG
③	WIRE CLIP	HDMI19P wire clip 30AWG Black PBT	2PCS
②	CABLE	(28AWG*1P+D30AWG*1C)*5P+30AWG*4C+ADB+Black and gray mesh Braid	/M
①	CONNECTOR	HDMI19P A/M, PIN Gold plated G/F, Gold plated housing	2PCS
NO	NAME	Material Description	Usage



VCOM International Ltd.

TITLE	HDMI 2.1 19P A/M-19P A/M	CUSTOMER	UNIT	mm	PAGE: 1 of 1
PART NO.		CUSTOMER NO.			
PRODUCT NO.	CG864	REV	A/0	DATE	2022-12-8
DRAWN BY: CHEN		CHECKED BY:		APPROVED BY: XIANG	

X-ON Electronics

Largest Supplier of Electrical and Electronic Components

Click to view similar products for [HDMI, Displayport & DVI Connectors](#) category:

Click to view products by [VCOM](#) manufacturer:

Other Similar products are found below :

[30-528](#) [30-504](#) [33DVIR-24S1B](#) [47648-2000](#) [TC142X](#) [HAGBH](#) [AABII](#) [AAIBG](#) [AAIBH](#) [AANBG](#) [52355](#) [XHLJQ-00026](#) [HDMI-019R](#)
[G46M2013201AWEU](#) [ST-0277D00-052-142](#) [PJ-399M](#) [PJ-615-5A](#) [HDMI-S-125-D](#) [PJ-359](#) [PJ-3850-5A](#) [PJ-3250D-5A](#) [KH-PJ-359](#) [HDMI-](#)
[005-ARSW-L116](#) [58490](#) [DS-45404](#) [HD0039](#) [60616](#) [AAMBJ](#) [61275](#) [61297](#) [KABHD](#) [OEM-40](#) [61293](#) [DS-45316](#) [50355](#) [AK-330115-010-S](#)
[AK-330101-002-S](#) [AHCBI](#) [AK-330127-300-S](#) [CG526-B-3.0](#) [64866](#) [CG525-R-1.8](#) [61296](#) [CG865-3](#) [CG517-3.0](#) [EAEBD](#) [65262](#) [DB-340305-](#)
[018-S](#) [DS-55521](#) [ALGLI](#) [KABHD](#) [OEM-35](#)