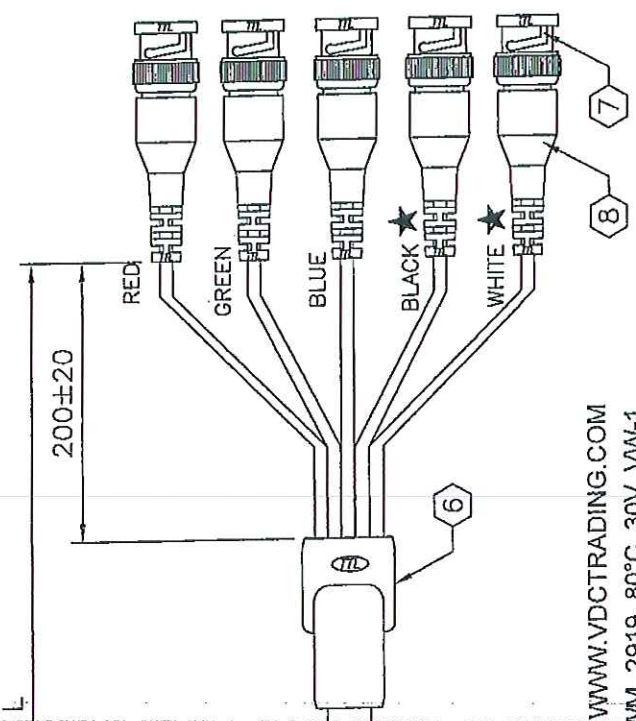


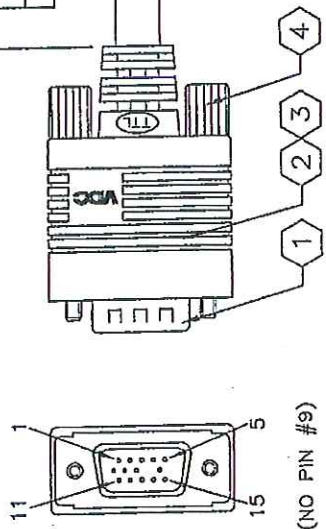
ALL MATERIAL ARE ROHS AND CALIFORNIA PROP.65 COMPLIANT



CUSTOMER'S APPROVAL: \_\_\_\_\_ DATE: \_\_\_\_\_  
 FIRST ARTICLE SAMPLE REQUIRED:  YES,  NO.



P/N	L±(mm)
104600030	300 +.50 - .50
104600601	1000 +.50 - .50
104600602	2000 +.50 - .50
104600603	3000 +1.00 - .50
104600605	5000 +1.00 - .50



WIRE MARKING:

VDC LONDON WWW.VDCTRADING.COM  
 E193793 RJ AWM 2919 80°C 30V VW-1

PINOUT CONFIGURATION

HD15/M	5 BNC/M
1	RED CEN. 1(C)
2	GREEN CEN. 2(C)
3	BLUE CEN. 3(C)
13	BLACK CEN. 4(C)
14	WHITE CEN. 5(C)
6	RED SHELL 1(S)
7	GREEN SHELL 2(S)
8	BLUE SHELL 3(S)
4	BLACK,WHITE SHELL 4(S)
10	
11	
	SHELL A

UNIT: mm

ITEM	DESCRIPTION	Q'TY	UNIT
1	HD15 MALE CONNECTOR (NO PIN #9)	1	PCS.
2	PANTONE BLUE 072U MOLDED PVC HOOD W/VDC LOGO	1	PCS.
3	PAT. US 6,287,148 B1 RF-BLOK™ SHIELDING METAL CAN	1	PCS.
4	PANTONE BLUE 072U #4/40 THUMBSCREW	2	PCS.
5	UL2919 (UL1354 28AWG COAX+AL-FOIL+SPIRAL)x5C +FILLER+COTTON PAPER;	SEE	DWG.
6	PANTONE BLUE 072U PVC JACKET		
7	PANTONE BLUE 072U MOLDED PVC S.R.	1	PCS.
8	BNC MALE CONNECTOR	5	PCS.
	PANTONE BLUE 072U MOLDED PVC HOOD	5	PCS.

REV.	DESCRIPTION	DATE	REVISED BY
A	REVISE PINOUT CONFIGURATION	JUL.20.07	STANLEY
B	REVISE TOLERANCE	JUL.31.07	STANLEY
C	CHINAGE LENGTH 300mm WITH S.R.	JUL.30.08	STANLEY

Part number:	Revision:	Date:	SALES:
SEE TABLE	C	07/05/2007	JOAN
RFQ number:	Drawing#:	Scale:	
3812	96070502	None	
Drawn by:	Checked by:		
STANLEY			

Copyright 07-2007  
**TOTAL TECHNOLOGIES, LTD.**  
 2110 South Anne Street, Santa Ana, CA. 92704  
 1-800-669-4885

All information herein is proprietary and the exclusive property of Total Technologies, Ltd. Recipient agrees: 1) Not to disclose any of such information to others 2) Not to reproduce in whole or in part 3) to use such information only as directed by Total Technologies, Ltd. 4) Upon request, to return all copies of this document to Total Technologies, Ltd. Specifications are subject to change without prior notice.

## **X-ON Electronics**

Largest Supplier of Electrical and Electronic Components

*Click to view similar products for [vdc manufacturer](#):*

Other Similar products are found below :

[104911003](#) [104911913](#) [101-003-202](#) [101-066-001](#) [111-548-052](#) [111-544-052](#) [401-026-001](#) [104-084-100](#) [110-102-000](#) [104238206](#) [110-065-000](#) [104911005](#) [104911912](#) [104400401](#) [104910003](#) [110-064-000](#) [110180929](#) [104-082-070](#) [104600030](#) [110-824-050](#) [104-080-035](#)  
[104911101](#) [110028919](#)