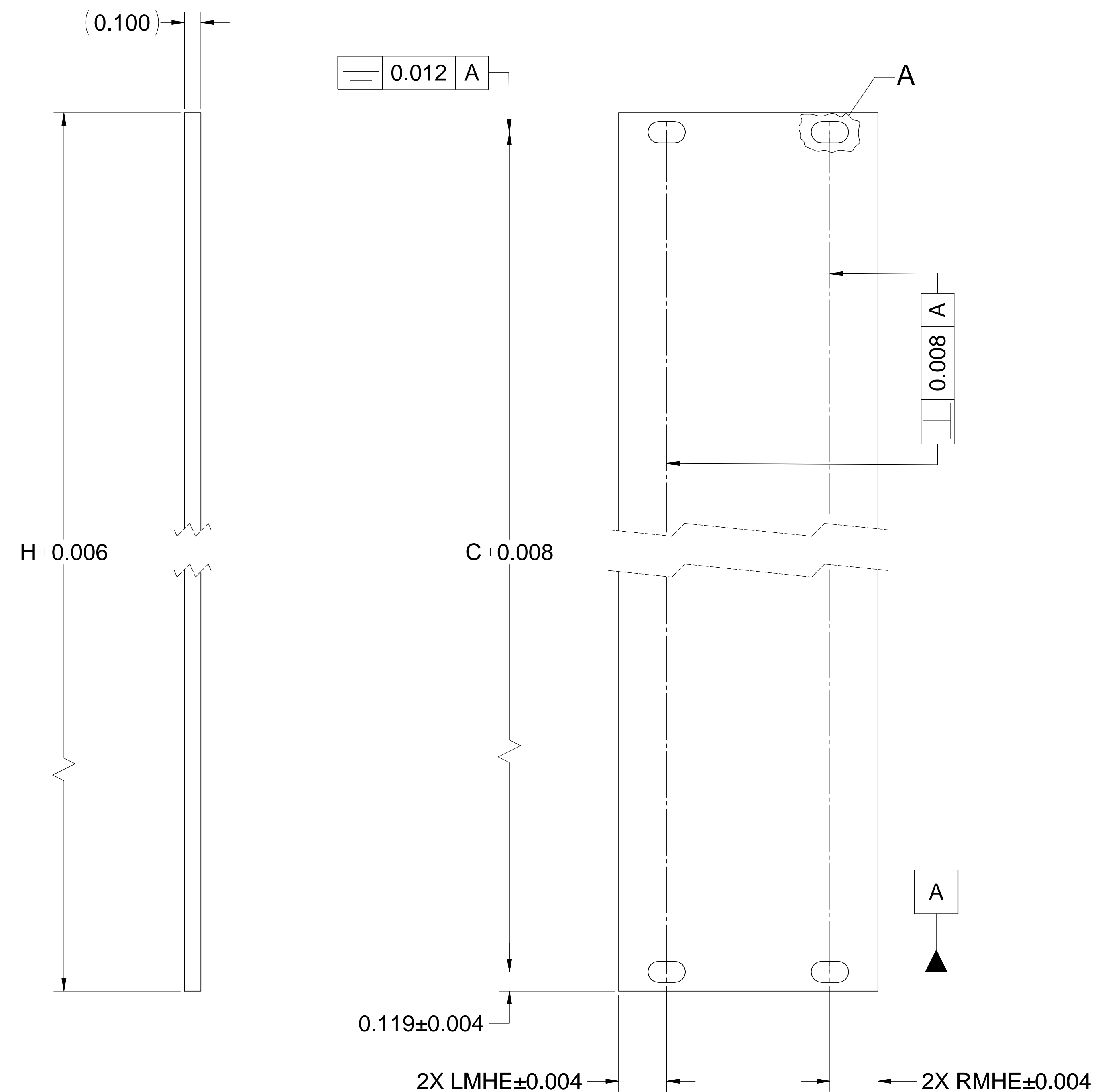
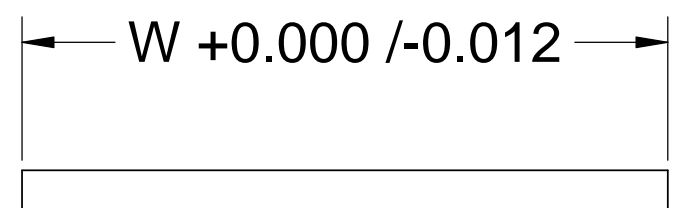
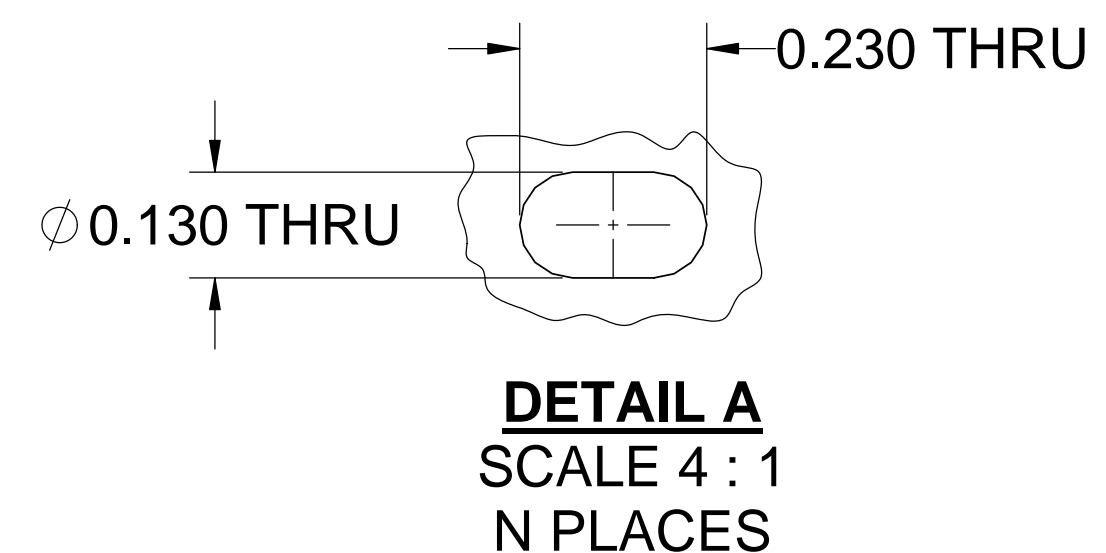


PROPRIETARY AND CONFIDENTIAL
 THE INFORMATION CONTAINED IN THIS DRAWING IS THE SOLE PROPERTY OF VECTOR ELECTRONICS & TECH., INC. ANY REPRODUCTION IN PART OR AS A WHOLE WITHOUT THE WRITTEN PERMISSION OF VECTOR ELECTRONICS & TECH., INC. IS PROHIBITED.

REVISIONS				
ZONE	REV	DESCRIPTION	DATE	APPROVED
ALL	A	REDRAWN	05/04/12	
	B	ADDED 4UX10HP P/N : 5241310-07	04/06/16	
	C	ADDED 6UX6HP P/N : 5261306-07 AND 3UX6HP P/N : 5231306-07	09/16/16	



RETAINER SLEEVE, POLYAMIDE, BLACK, 94300008
 M2.5 X 0.45 X 11mm CAPTIVE SCREW, STEEL, 95000002B (NX)

FILLER PANEL

ASSY PART NO	DESCRIPTION	HEIGHT "H"	WIDTH "W"	CENTER "C"	LEFT MOUNTING HOLE "LMHE"	RIGHT MOUNTING HOLE "RMHE"	PLACES "N"
5231304-07	3U X 4HP	5.060	0.788	4.823	0.294	-	2
5231306-07	3U X 6HP	5.060	1.188	4.823	0.294	0.294	4
5231308-07	3U X 8HP	5.060	1.588	4.823	0.294	0.294	4
5231312-07	3U X 12HP	5.060	2.388	4.823	0.294	0.294	4
5231342-07	3U X 42HP	5.060	8.388	4.823	0.294	0.294	4
5241310-07	4U X 10HP	6.810	1.988	6.573	0.294	0.294	4
5261304-07	6U X 4HP	10.310	0.788	10.073	0.294	-	2
5261306-07	6U X 6HP	10.310	1.188	10.073	0.294	-	2
5261308-07	6U X 8HP	10.310	1.588	10.073	0.294	0.294	4
5261312-07	6U X 12HP	10.310	2.388	10.073	0.294	0.294	4
5261324-07	6U X 24HP	10.310	4.788	10.073	0.294	0.294	4
5291304-07	9U X 4HP	15.560	0.788	15.323	0.294	-	2
5291308-07	9U X 8HP	15.560	1.588	15.323	0.294	0.294	4
5291312-07	9U X 12HP	15.560	2.388	15.323	0.294	0.294	4

-07
FILLER PANEL ASSEMBLY

FILLER PANEL DETAIL

- 4. FINISH: CLEAR CHEM FILM, IAW MIL-C-5541, CLASS 3
- 3. LIGHT GRAIN FRONT & BACK SURFACE IN DIRECTION SHOWN USING 180 GRIT
- 2. MATERIAL: ALUMINUM ALLOY 6061-T6, 0.100 THICK
 MAKE FROM P/N # 0030-55-48B
- 1. REMOVE ALL BURRS, SHARP EDGES & SURFACE SCRATCHES

NOTES : UNLESS OTHERWISE SPECIFIED

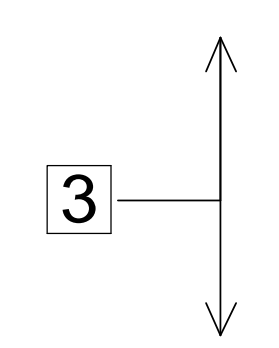
UNLESS OTHERWISE SPECIFIED DIMENSIONS ARE IN INCHES TOLERANCES: DEC X.X ±0.1 DEC X.XX ±0.03 DEC X.XXX ±0.010 FRACTIONS ±0.050 ANGLES ±1° GD & T : ASME Y14.5-2009		APPROVALS	NAME	DATE
MATERIAL	2	DRAWN	TRUSHAR	05/04/12
FINISH	4	CHECKED		
		ENGINEER		
		QA		

THIRD ANGLE PROJECTION		

VECTOR ELECTRONICS & TECHNOLOGY, INC. 11115 VANOWEN ST., NORTH HOLLYWOOD, CA 91605 www.vectorelect.com

3U, 6U, 9U NON EMC FILLER PANEL

SIZE	DWG. NO.	REV
D	52RU304-HP	C
SCALE: 2:1	CAGE CODE: 82893	SHEET 1 OF 1



X-ON Electronics

Largest Supplier of Electrical and Electronic Components

Click to view similar products for [Racks & Rack Cabinets](#) category:

Click to view products by [Vector](#) manufacturer:

Other Similar products are found below :

[1440-0133-36](#) [5231308-07](#) [UPS 525-17-9 PLAIN](#) [UNC-3-7-5-PLAIN](#) [UNC-23/4-6-6-PLAIN](#) [UPR 525-17-14 BLU/WHT](#) [RM2U19BKFP](#)
[RM3U19BKFP](#) [RM2U1918SBK](#) [RM4U1922SBK](#) [RM4U1918SBK](#) [RM1U1922SBK](#) [HDR6UBK](#) [RM4U1908VBK](#) [RM1UMTGFL](#) [DN-W19](#)
[06U/450](#) [DN-W19 12U/450](#) [G17083UBK](#) [P32180011](#) [P32180012](#) [P32180021](#) [P32180022](#) [P32180031](#) [P32180132](#) [G17081UG](#) [G17082UG](#)
[G17083UG](#) [DN-W19-04U/450](#) [G17082UBK](#) [C2F193523BK1](#) [C2F193531BK1](#) [C2F197031LG1](#) [C2RR194231LG1](#) [C4RR247731DBK1](#)
[DNRR1963LDK](#) [DNRR1970LDK](#) [DNRR1977DCK](#) [HDME20610BK](#) [HWMR1920UBK](#) [HWMR1932UBK](#) [RB-2P77](#) [RB-AV18](#) [RB-AV27](#)
[RB-FW6](#) [RB-WR2](#) [RCHV1901717LG1](#) [RM1U0804SBK](#) [RM1U0804VBK](#) [RM1U0808SBK](#) [RM1U0808VBK](#)