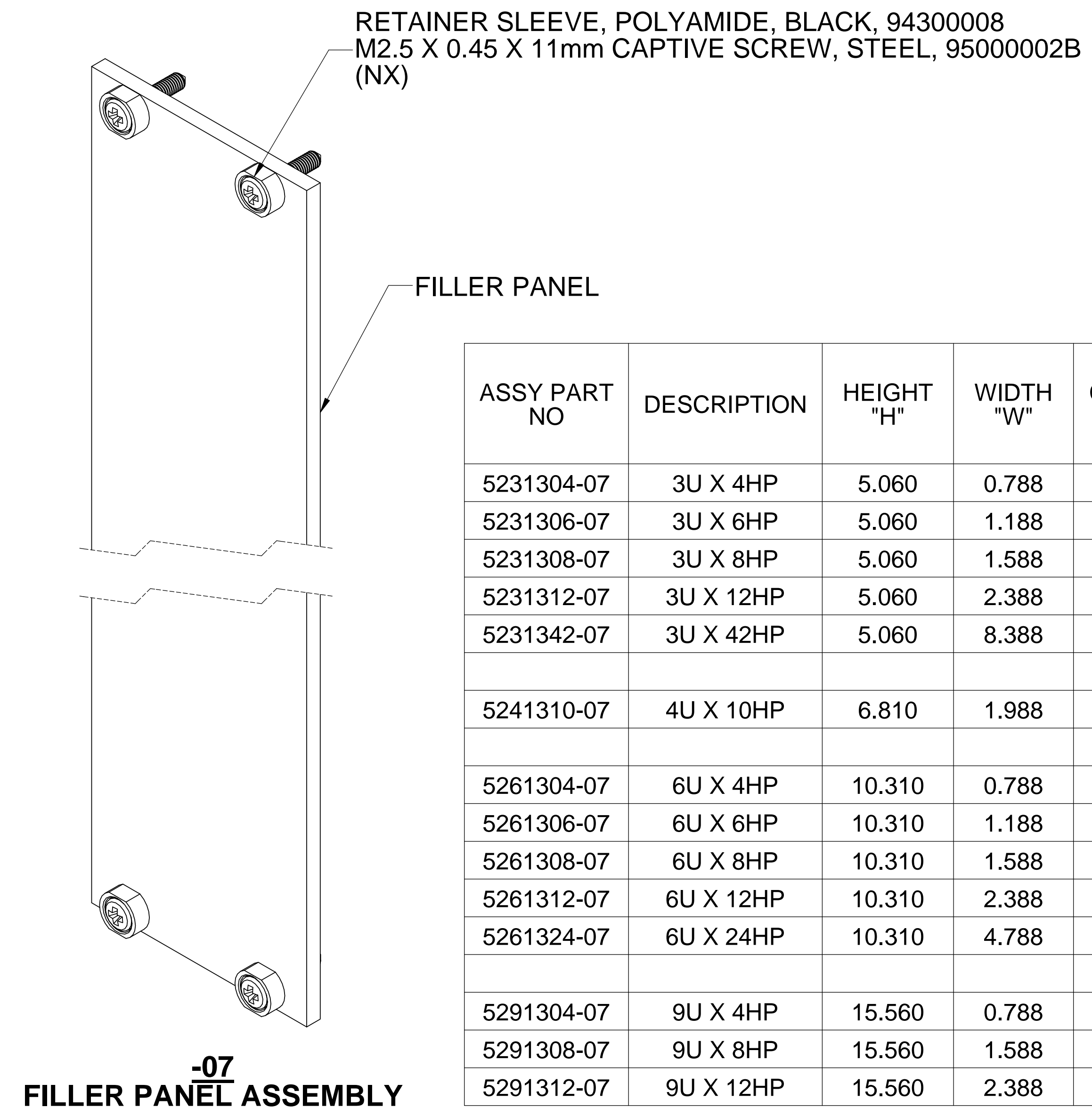
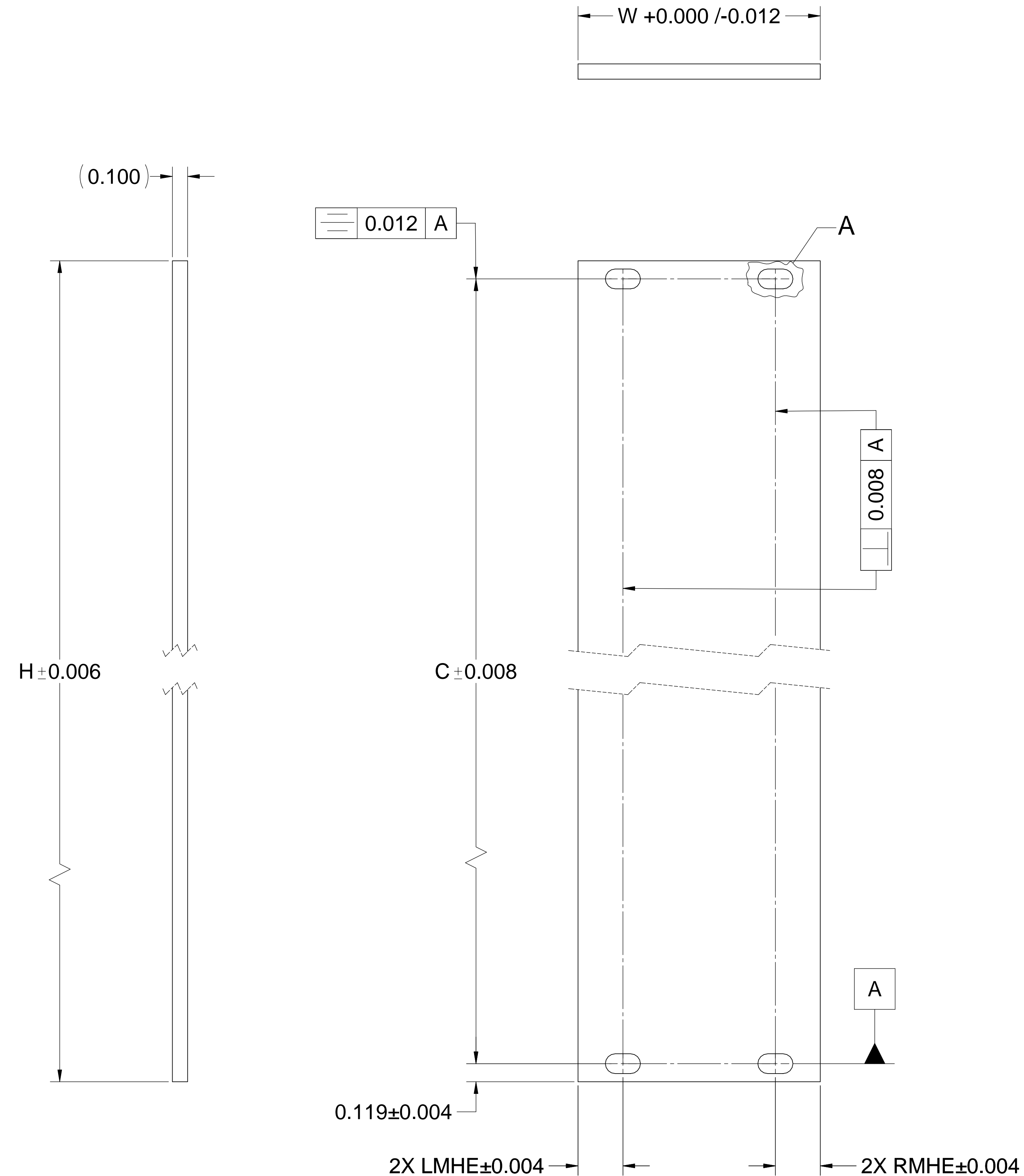
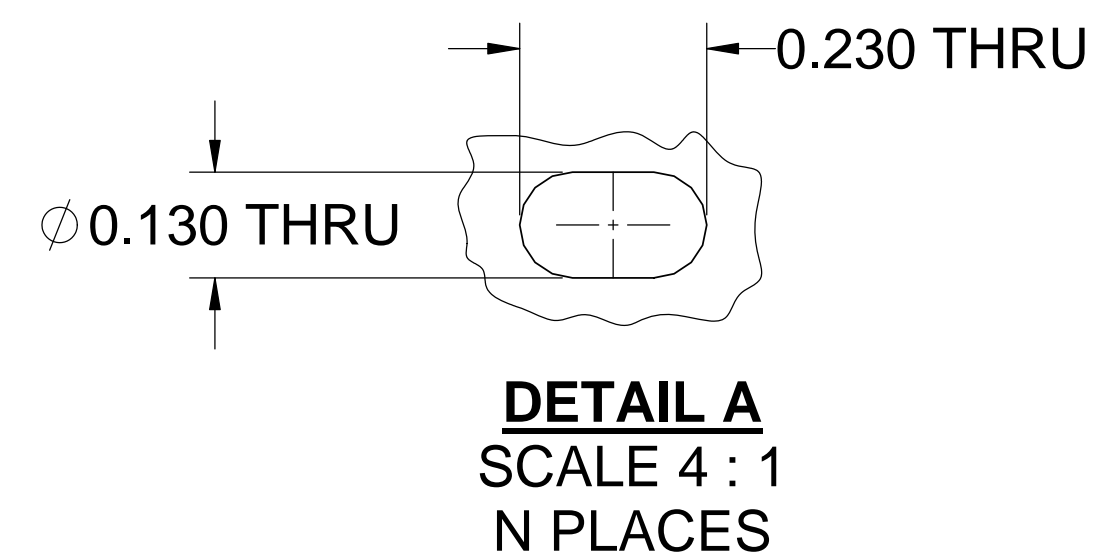


PROPRIETARY AND CONFIDENTIAL
 THE INFORMATION CONTAINED IN THIS DRAWING IS THE SOLE PROPERTY OF VECTOR ELECTRONICS & TECH., INC. ANY REPRODUCTION IN PART OR AS A WHOLE WITHOUT THE WRITTEN PERMISSION OF VECTOR ELECTRONICS & TECH., INC. IS PROHIBITED.

REVISIONS				
ZONE	REV	DESCRIPTION	DATE	APPROVED
ALL	A	REDRAWN	05/04/12	
	B	ADDED 4UX10HP P/N : 5241310-07	04/06/16	
	C	ADDED 6UX6HP P/N : 5261306-07 AND 3UX6HP P/N : 5231306-07	09/16/16	



ASSY PART NO	DESCRIPTION	HEIGHT "H"	WIDTH "W"	CENTER "C"	LEFT MOUNTING HOLE "LMHE"	RIGHT MOUNTING HOLE "RMHE"	PLACES "N"
5231304-07	3U X 4HP	5.060	0.788	4.823	0.294	-	2
5231306-07	3U X 6HP	5.060	1.188	4.823	0.294	0.294	4
5231308-07	3U X 8HP	5.060	1.588	4.823	0.294	0.294	4
5231312-07	3U X 12HP	5.060	2.388	4.823	0.294	0.294	4
5231342-07	3U X 42HP	5.060	8.388	4.823	0.294	0.294	4
5241310-07	4U X 10HP	6.810	1.988	6.573	0.294	0.294	4
5261304-07	6U X 4HP	10.310	0.788	10.073	0.294	-	2
5261306-07	6U X 6HP	10.310	1.188	10.073	0.294	-	2
5261308-07	6U X 8HP	10.310	1.588	10.073	0.294	0.294	4
5261312-07	6U X 12HP	10.310	2.388	10.073	0.294	0.294	4
5261324-07	6U X 24HP	10.310	4.788	10.073	0.294	0.294	4
5291304-07	9U X 4HP	15.560	0.788	15.323	0.294	-	2
5291308-07	9U X 8HP	15.560	1.588	15.323	0.294	0.294	4
5291312-07	9U X 12HP	15.560	2.388	15.323	0.294	0.294	4

FILLER PANEL DETAIL

- 4. FINISH: CLEAR CHEM FILM, IAW MIL-C-5541, CLASS 3
- 3. LIGHT GRAIN FRONT & BACK SURFACE IN DIRECTION SHOWN USING 180 GRIT
- 2. MATERIAL: ALUMINUM ALLOY 6061-T6, 0.100 THICK
 MAKE FROM P/N # 0030-55-48B
- 1. REMOVE ALL BURRS, SHARP EDGES & SURFACE SCRATCHES

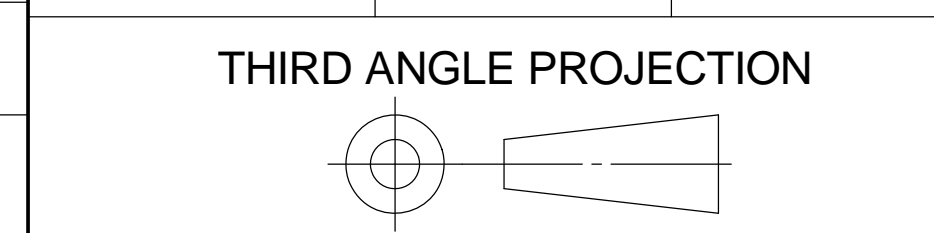
NOTES : UNLESS OTHERWISE SPECIFIED

UNLESS OTHERWISE SPECIFIED DIMENSIONS ARE IN INCHES TOLERANCES: DEC X.X ±0.1 DEC X.XX ±0.03 DEC X.XXX ±0.010 FRACTIONS ±0.050 ANGLES ±1° GD & T : ASME Y14.5-2009	
MATERIAL	2
FINISH	4

APPROVALS	NAME	DATE
DRAWN	TRUSHAR	05/04/12
CHECKED		
ENGINEER		
QA		

VECTOR ELECTRONICS & TECHNOLOGY, INC. 11115 VANOWEN ST., NORTH HOLLYWOOD, CA 91605 www.vectorelect.com

3U, 6U, 9U NON EMC FILLER PANEL



SIZE	DWG. NO.	REV
D	52RU304-HP	C
SCALE: 2:1	CAGE CODE: 82893	SHEET 1 OF 1

X-ON Electronics

Largest Supplier of Electrical and Electronic Components

Click to view similar products for [Racks & Rack Cabinet Accessories](#) category:

Click to view products by [Vector](#) manufacturer:

Other Similar products are found below :

[M00-PLN](#) [F2424](#) [8351-832-A-24](#) [9104](#) [9105](#) [PLFF2000](#) [H-9163-B](#) [1427C3](#) [HTS10](#) [PC-79](#) [SC10-3A](#) [SC4-28](#) [CG3-340S/12](#) [CP-001BK](#)
[M6123-4007-SS](#) [TS170](#) [LP40](#) [5261304-07](#) [CG3-160G](#) [7112C-PLN](#) [ALUM](#) [CM10](#) [8610-3124-S-26](#) [TS81](#) [7142](#) [GP134](#) [M6125-4007-A-24](#)
[M6127-4007-SS](#) [PBCOVER](#) [512](#) [AEG-4000G](#) [AEG-3000G](#) [HD99](#) [SR2-66A2](#) [FP10B4HP-1](#) [SR16-66A2](#) [FP52-2](#) [1406-1006-01](#) [29478](#)
[TS2535](#) [TS169-6](#) [CAC2](#) [HA19-3U](#) [BR-19-10-1](#) [TS180](#) [CG3-ESD](#) [SC11-1](#) [CFS-1.00/2.20](#) [AX6145WM](#) [HEC0800PB](#) [ZC633R](#)