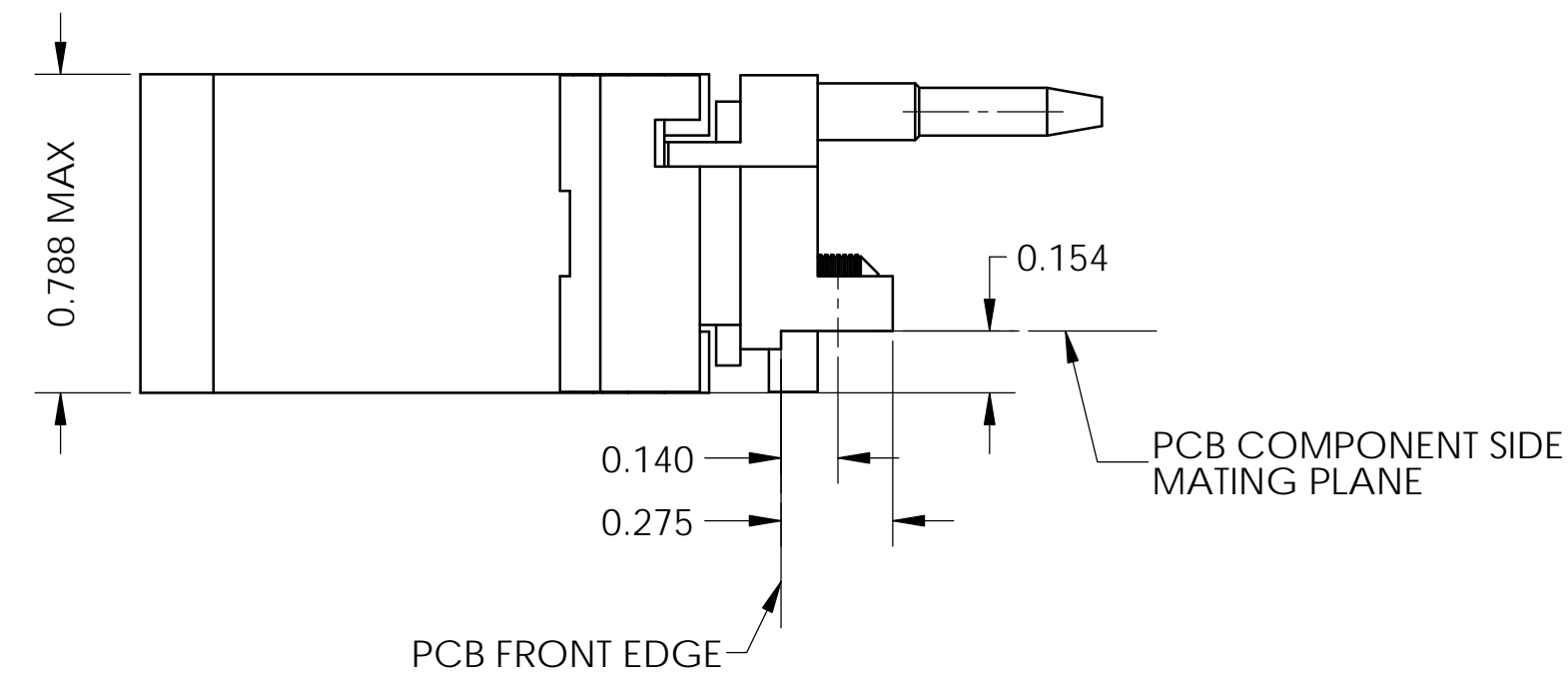
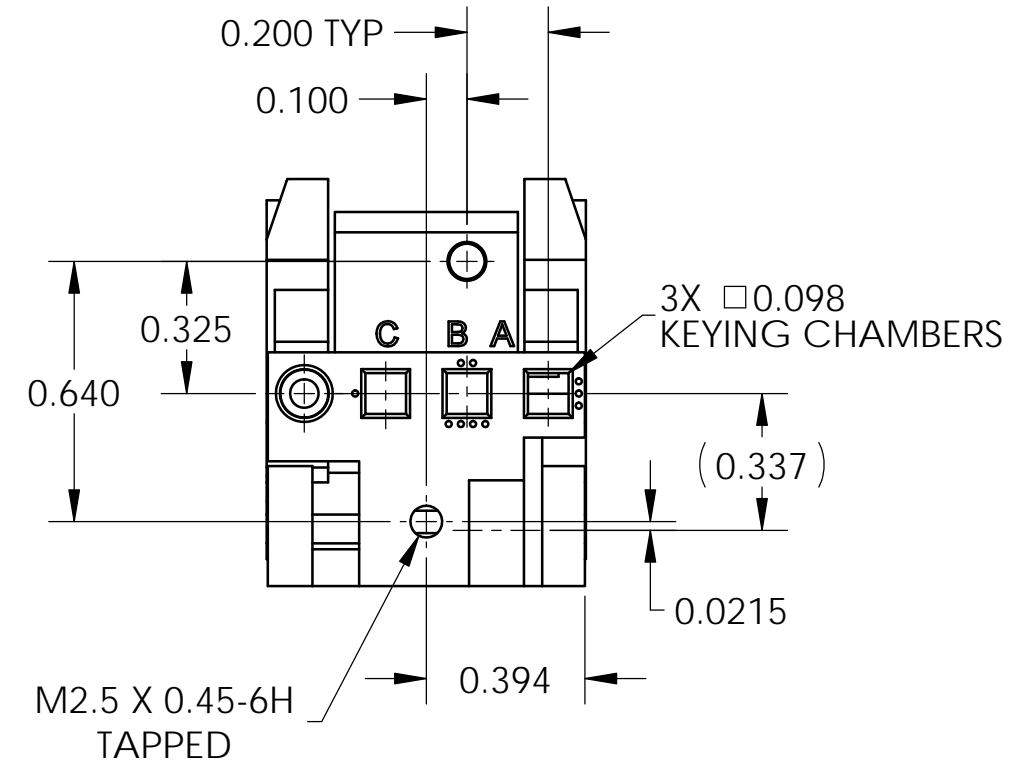
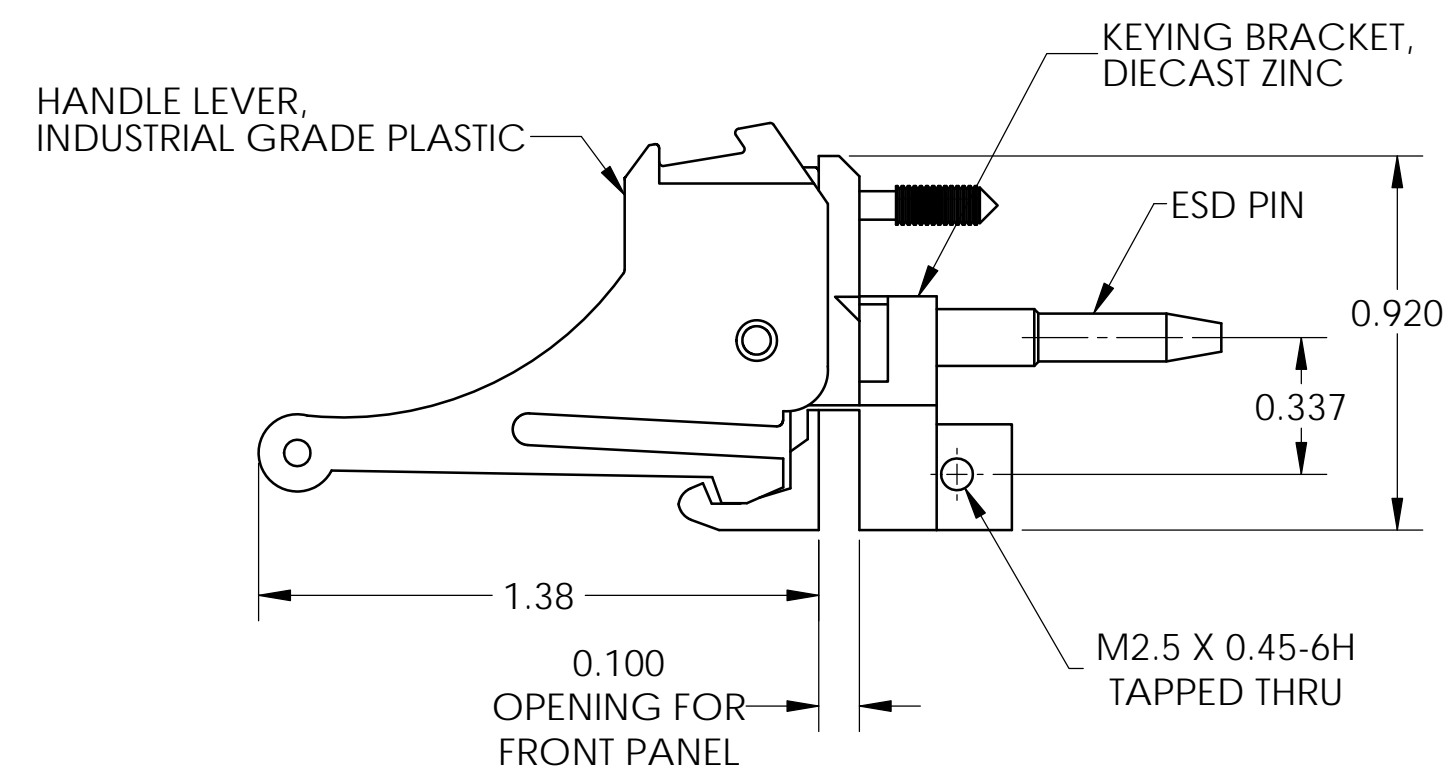
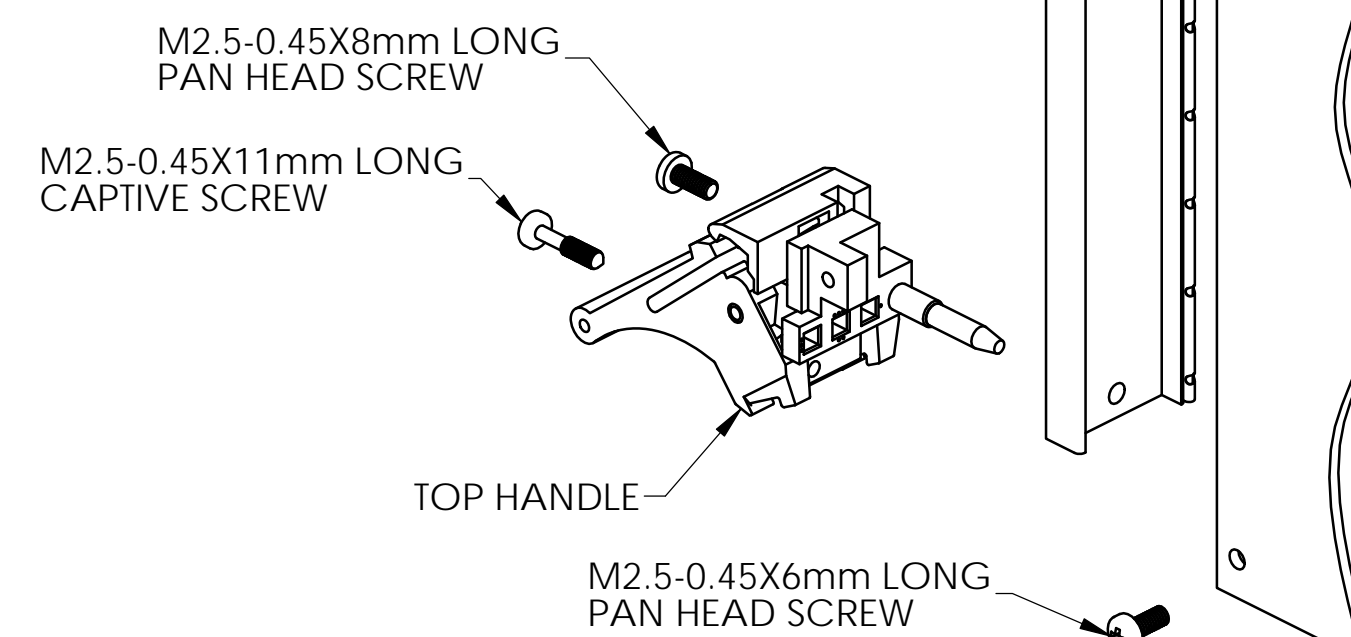
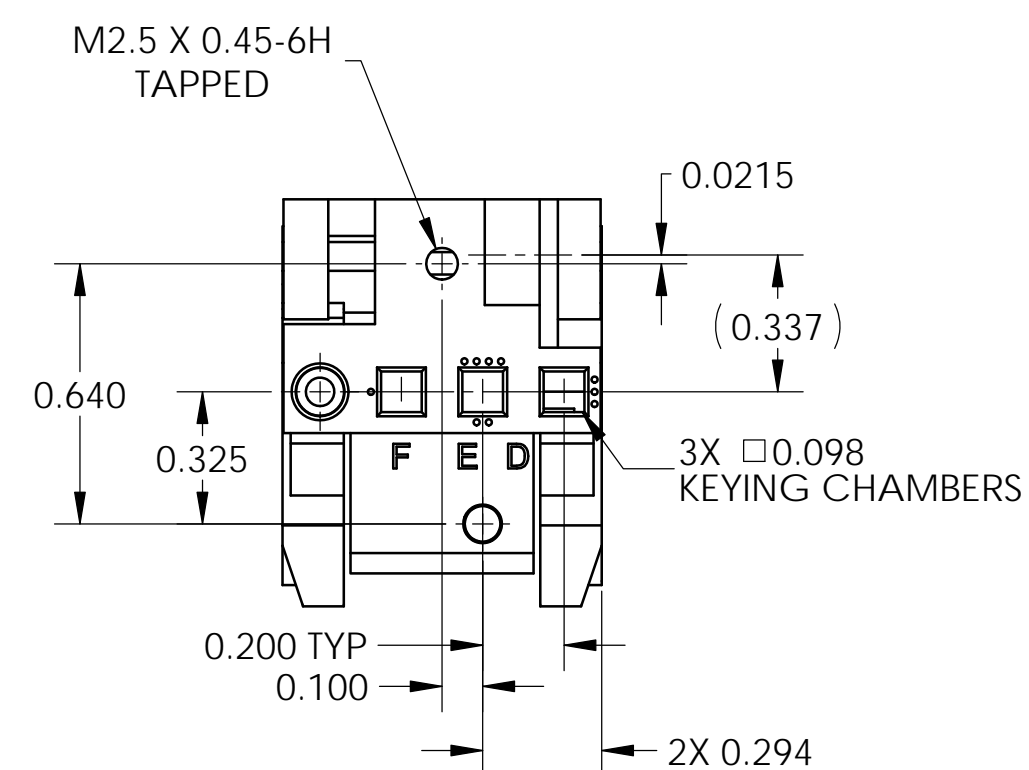
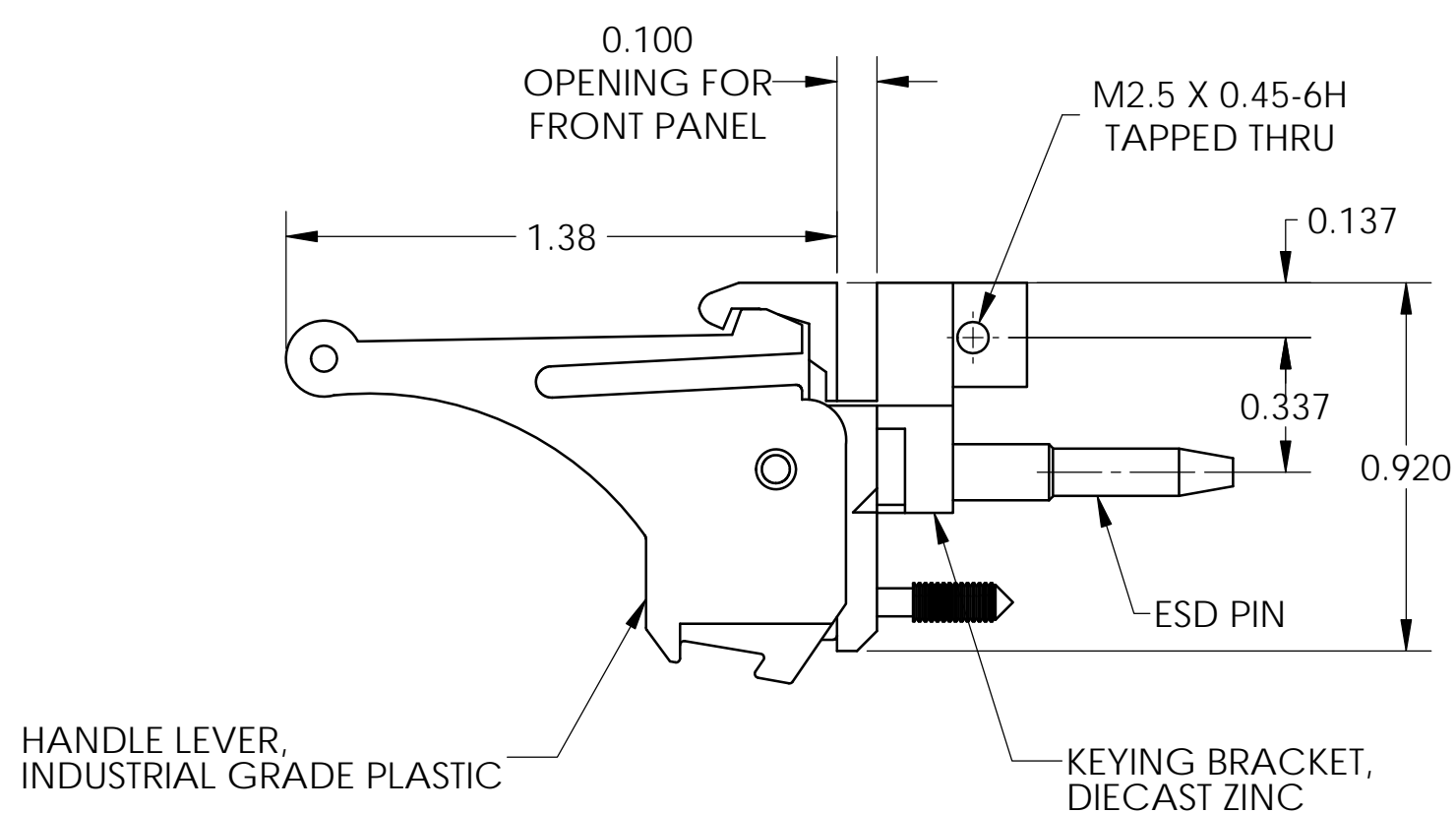
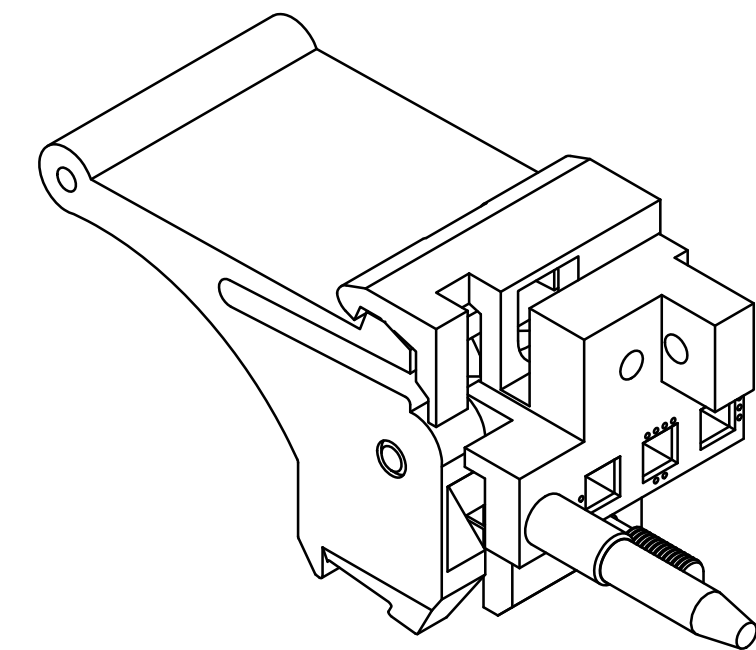
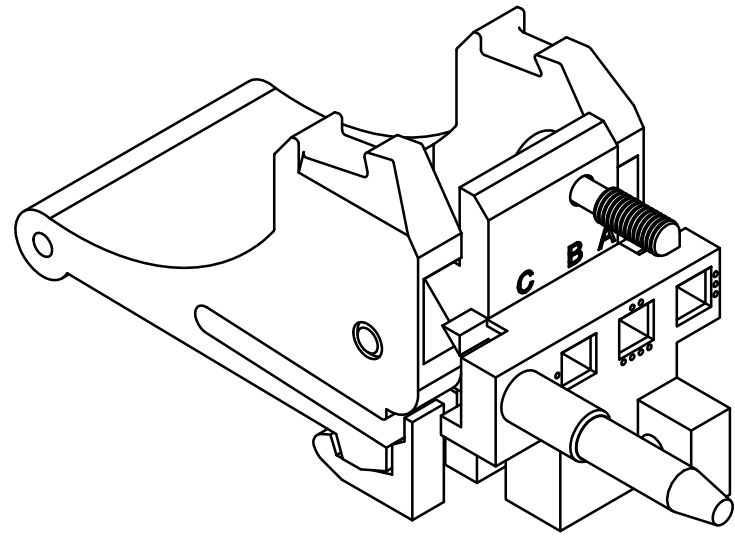
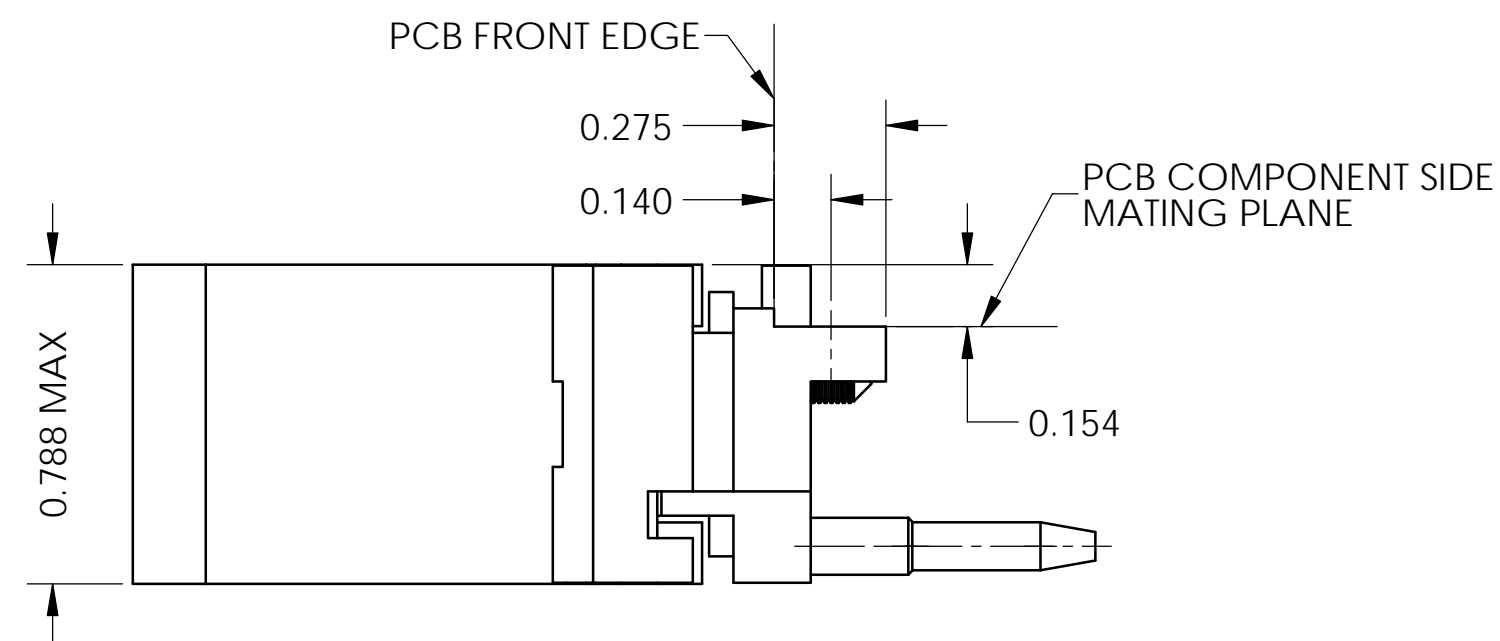


PROPRIETARY AND CONFIDENTIAL  
 THE INFORMATION CONTAINED IN THIS DRAWING IS THE SOLE PROPERTY OF  
 VECTOR ELECTRONICS & TECHNOLOGY, INC. ANY REPRODUCTION IN PART  
 OR AS A WHOLE WITHOUT THE WRITTEN PERMISSION OF VECTOR ELECTRONICS  
 & TECHNOLOGY, INC IS PROHIBITED.

REVISIONS				
ZONE	REV	DESCRIPTION	DATE	APPROVED
ALL	A	INITIAL RELEASE	02/27/15	
ALL	B	ADDED P/N: 9010002, FOR RTM PANELS	09/19/17	

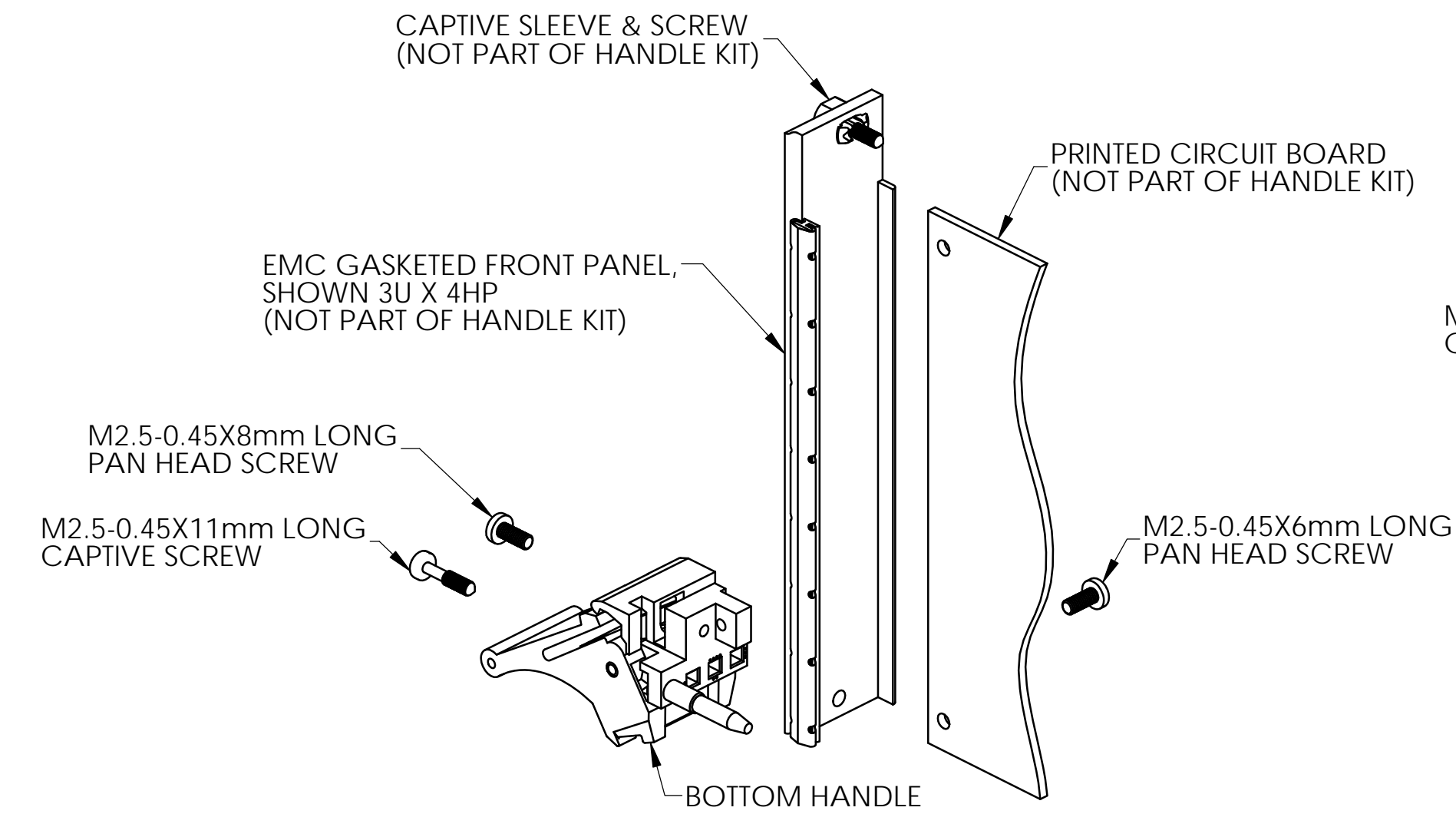
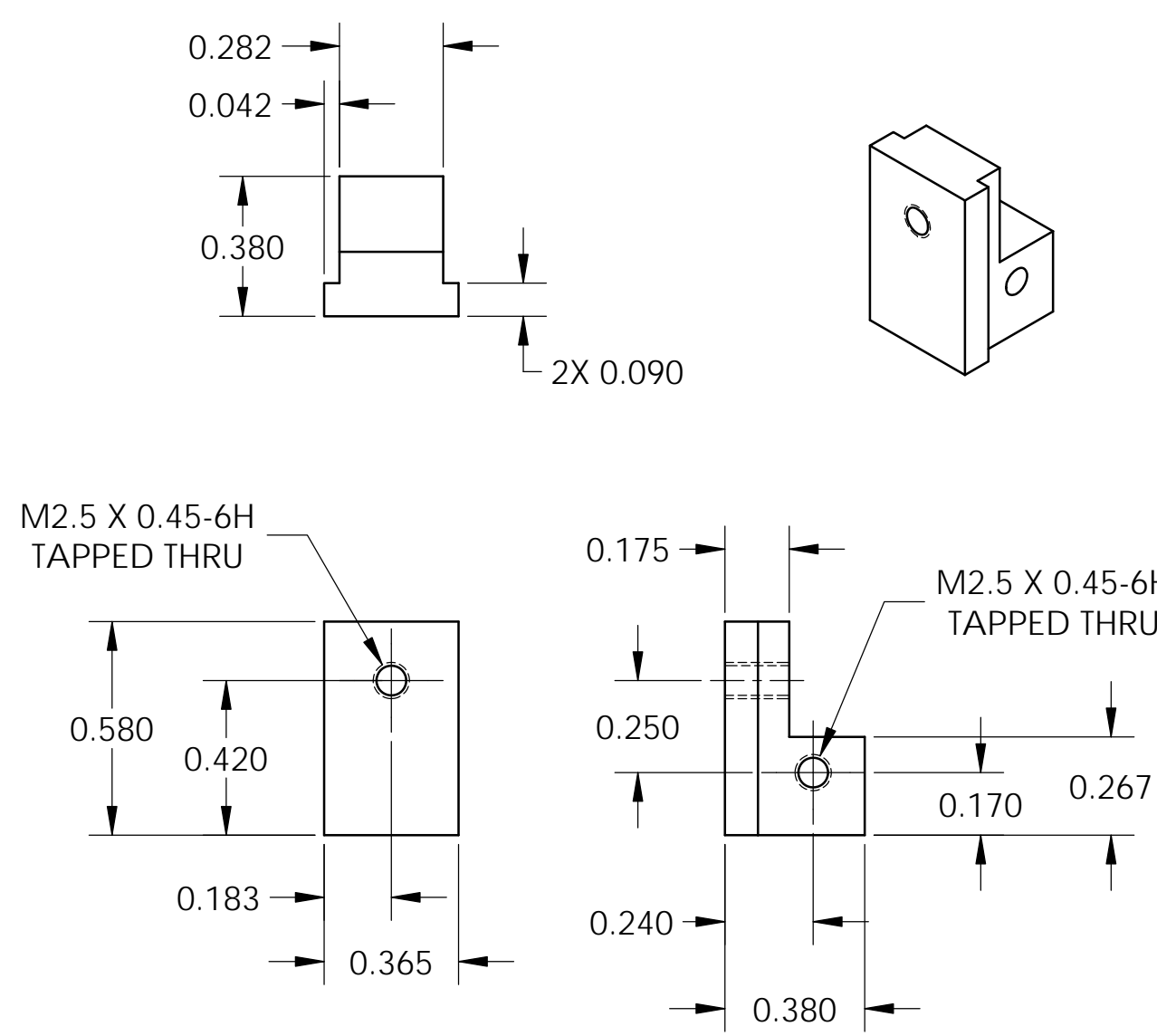


**TOP HANDLE DETAIL**



**EXPLODED VIEW  
3U RTM PLUG-IN CARD ASSEMBLY**

**L-BRACKET DETAIL  
(PART OF 90100016)**

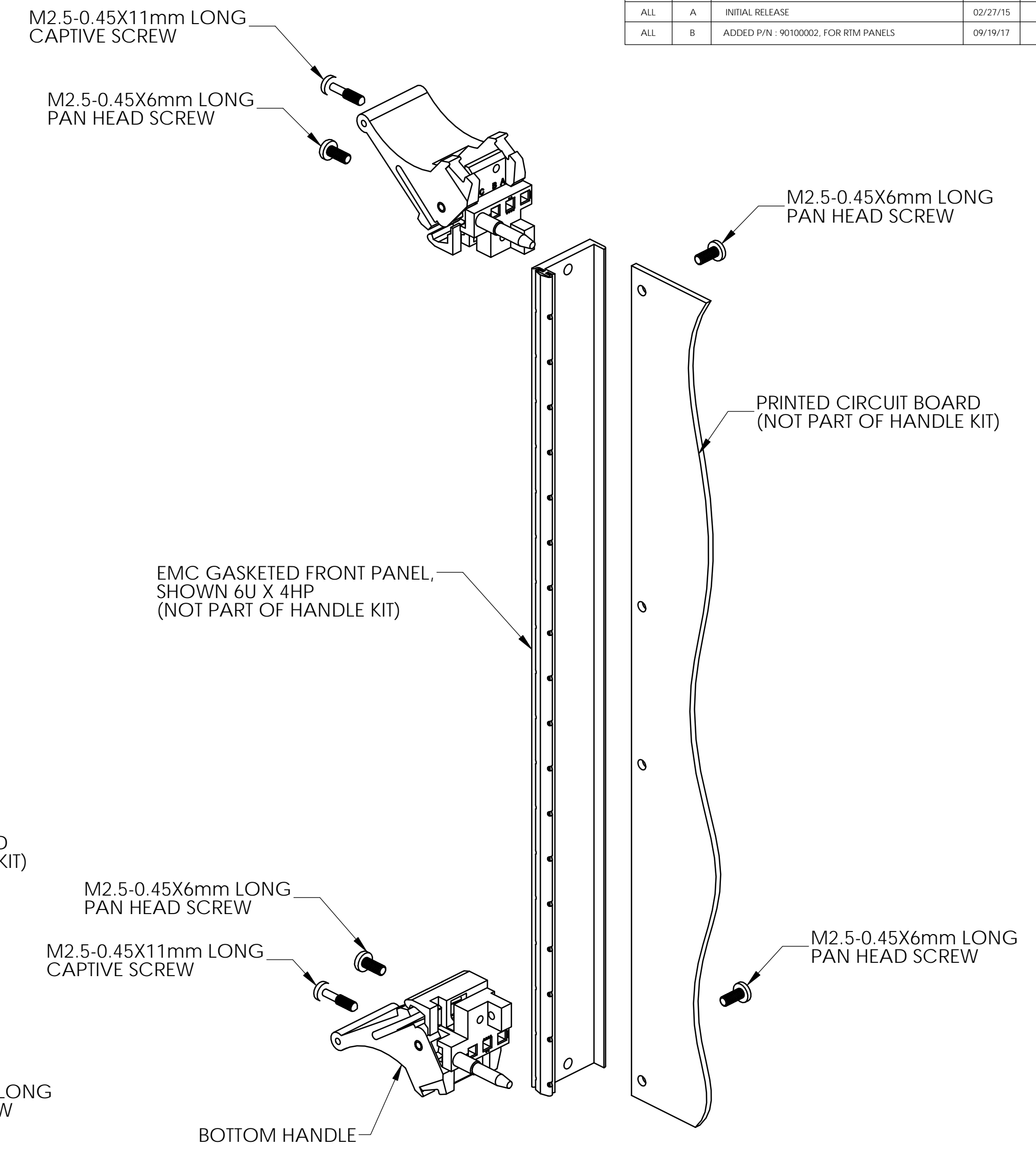


**EXPLODED VIEW  
3U FRONT PLUG-IN CARD ASSEMBLY**

**90100002 PARTS LIST  
(FOR 3U RTM PANEL ASSEMBLY)**

ITEM NO	DESCRIPTION	QTY	U/M
1	HANDLE, TOP, TYPE IV	1	EACH
2	SCREW, PAN HEAD, M2.5-0.45X6mm	1	EACH
3	SCREW, PAN HEAD, M2.5-0.45X8mm	1	EACH
4	SCREW, PAN HEAD, M2.5-0.45X10mm	2	EACH
5	HEX NUT, M2.5X0.45-6H	2	EACH
6	SCREW, CAPTIVE, M2.5-0.45X11mm	2	EACH
7	WASHER, SPLIT LOCK, #3	2	EACH

**EXPLODED VIEW  
6U OR 9U PLUG-IN CARD ASSEMBLY**



**EXPLODED VIEW  
6U OR 9U PLUG-IN CARD ASSEMBLY**

**90100016 PARTS LIST  
(FOR 6U OR 9U FRONT PANEL ASSEMBLY)**

ITEM NO	DESCRIPTION	QTY	U/M
1	HANDLE, BOTTOM, TYPE IV	1	EACH
2	HANDLE, TOP, TYPE IV	1	EACH
3	L-BRACKET, METAL	1	EACH
4	SCREW, PAN HEAD, M2.5-0.45X6mm	5	EACH
5	SCREW, PAN HEAD, M2.5-0.45X8mm	1	EACH
6	SCREW, FLAT HEAD, M2.5-0.45X8mm	1	EACH

**90100002-1 PARTS LIST  
(FOR 3U FRONT PANEL ASSEMBLY)**

ITEM NO	DESCRIPTION	QTY	U/M
1	HANDLE, BOTTOM, TYPE IV	1	EACH
2	SCREW, PAN HEAD, M2.5-0.45X6mm	1	EACH
3	SCREW, PAN HEAD, M2.5-0.45X8mm	1	EACH
4	SCREW, PAN HEAD, M2.5-0.45X10mm	2	EACH
5	HEX NUT, M2.5X0.45-6H	2	EACH
6	SCREW, CAPTIVE, M2.5-0.45X11mm	2	EACH
7	WASHER, SPLIT LOCK, #3	2	EACH

UNLESS OTHERWISE SPECIFIED  
 DIMENSIONS ARE IN INCHES  
 TOLERANCES:

DEC .XX	±0.1
DEC .X.XX	±0.03
DEC .X.XXX	±0.010
FRACTIONS	±0.050
ANGLES	±1°

THIRD ANGLE PROJECTION

MATERIAL

FINISH

NAME: TRISHAR

DATE: 08/31/12

VECTOR ELECTRONICS & TECHNOLOGY, INC. 11115 VANDERBILT NORTH HOLLYWOOD, CA 91655

INJECTOR/EJECTOR HANDLE, TYPE IV 1101.10

SIZE: D

DWG. NO.: IEL-TYPE-IV

REV: B

SCALE: 1:1

CAGE CODE: 82893

SHEET 1 OF 1

## X-ON Electronics

Largest Supplier of Electrical and Electronic Components

*Click to view similar products for [Mounting Fixings](#) category:*

*Click to view products by [Vector](#) manufacturer:*

Other Similar products are found below :

[5912235-2](#) [007541](#) [627](#) [M3783-7001](#) [71-074914-006](#) [75-69211-3P](#) [75-69214-6P](#) [75-69220-27S](#) [75-69224-5S](#) [7717-8DAP](#) [85047GULPT](#)  
[85048GBESR](#) [FPK-02-R10](#) [PMS27488-001-01](#) [1-18023-0](#) [H-118-2](#) [DB1](#) [1302030464](#) [DC37-22-21PX](#) [1302010957](#) [1302263564](#)  
[1302340393](#) [1404-0016-78](#) [14540](#) [1561-60](#) [1566](#) [1566](#) [BR16A](#) [NT20SATT01](#) [22594-8](#) [KBB-141](#) [89078GBEPR](#) [915060](#) [SF4011-60101](#)  
[97-CS-50](#) [1671](#) [1855-54](#) [T-2085-SP](#) [20800240002](#) [21899-4](#) [2193](#) [2518](#) [25745-1](#) [H-118-1](#) [354467](#) [37184](#) [4658](#) [4665](#) [4731](#) [BRACKET-RA-](#)  
[30](#)