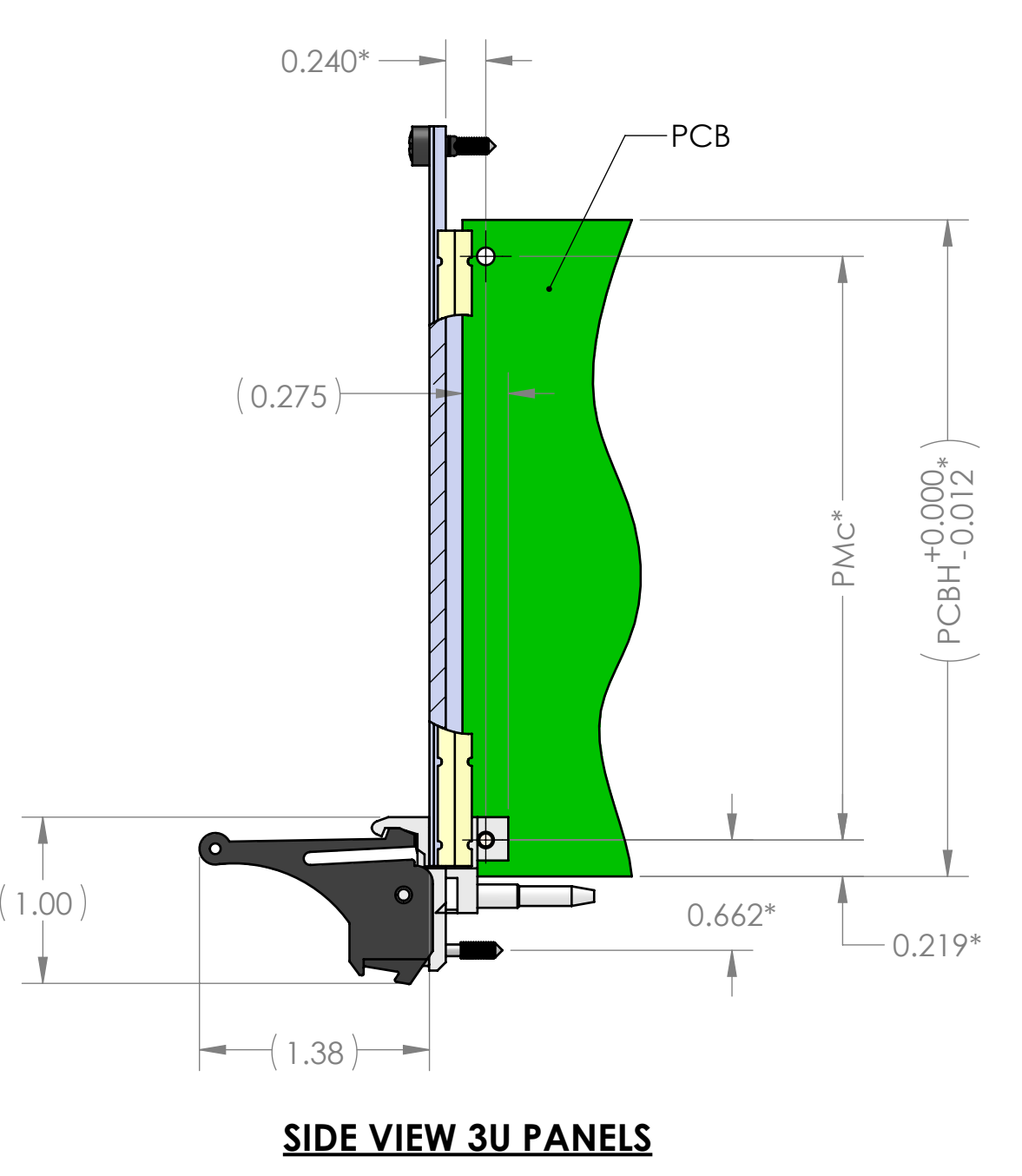
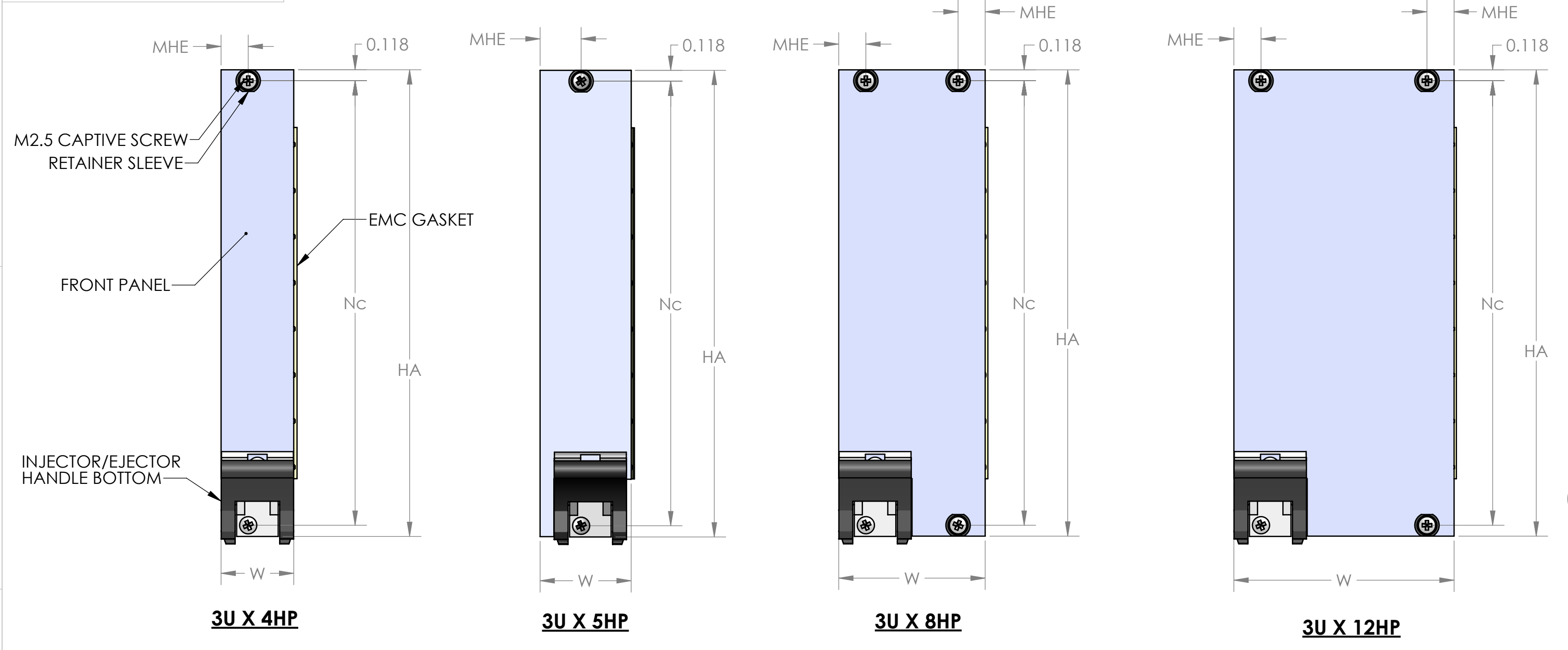


PROPRIETARY AND CONFIDENTIAL
 THE INFORMATION CONTAINED IN THIS DRAWING IS THE SOLE PROPERTY OF VECTOR ELECTRONICS & TECHNOLOGY, INC. ANY REPRODUCTION IN PART OR AS A WHOLE WITHOUT THE WRITTEN PERMISSION OF VECTOR ELECTRONICS & TECHNOLOGY, INC. IS PROHIBITED.

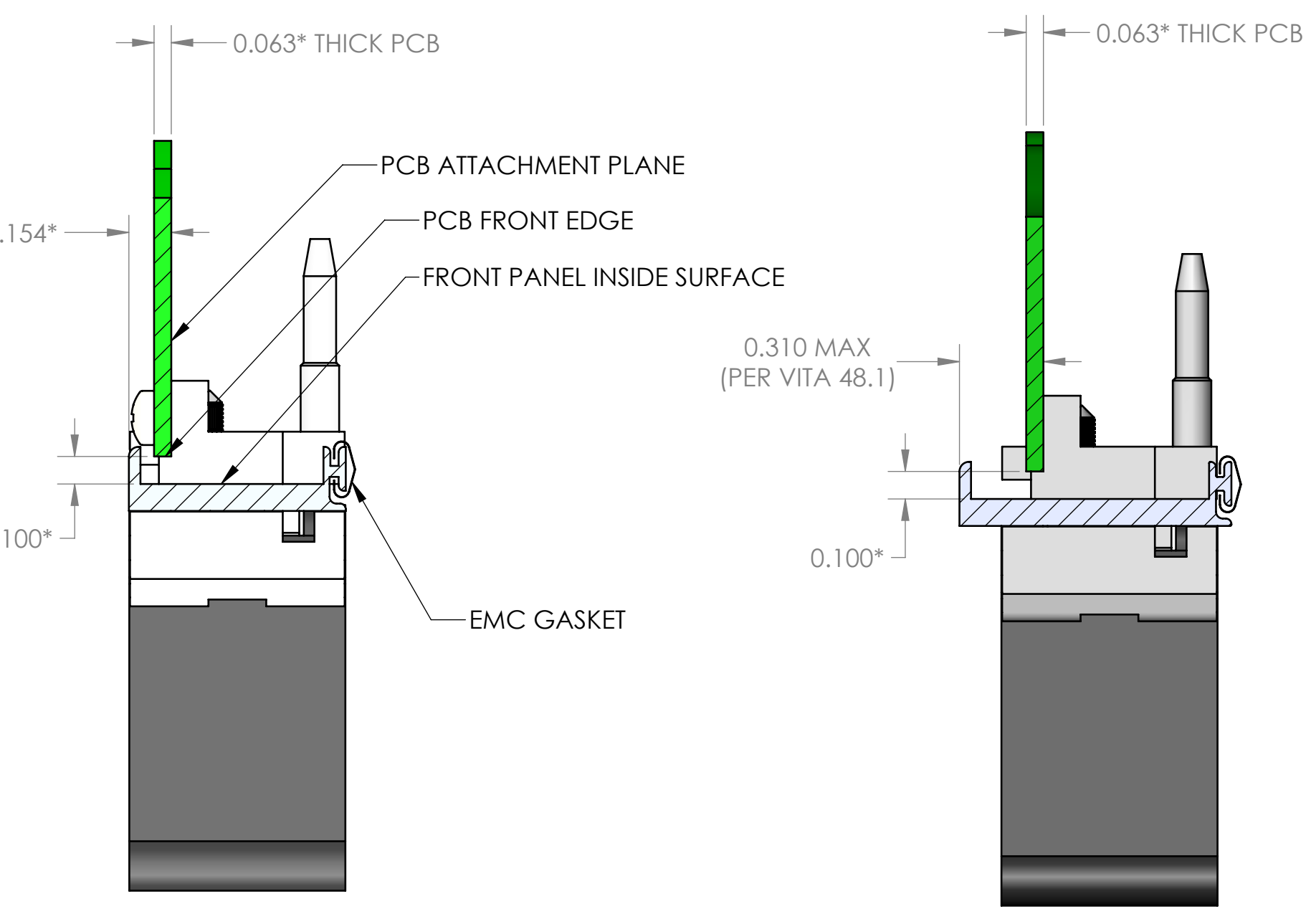
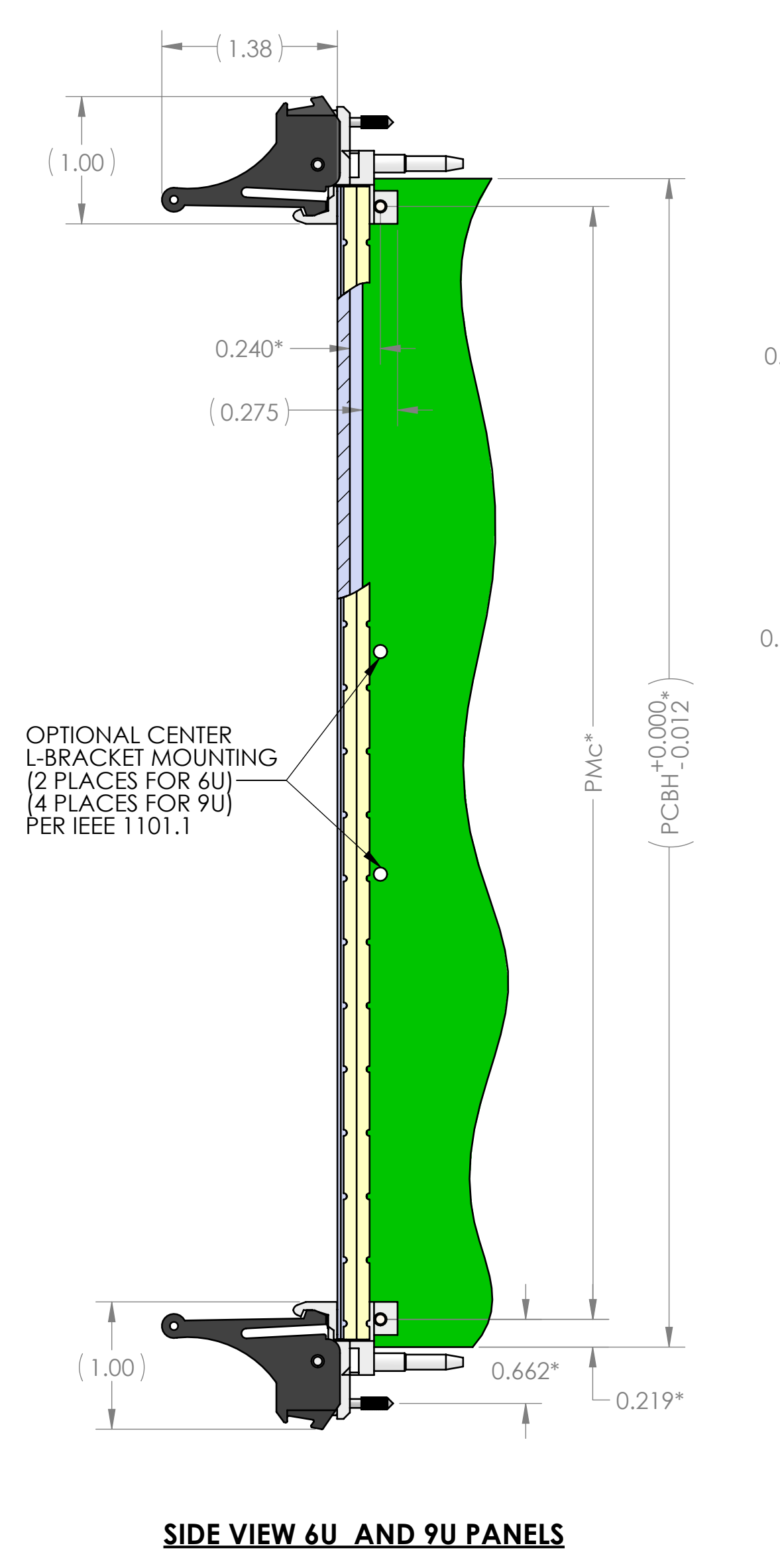
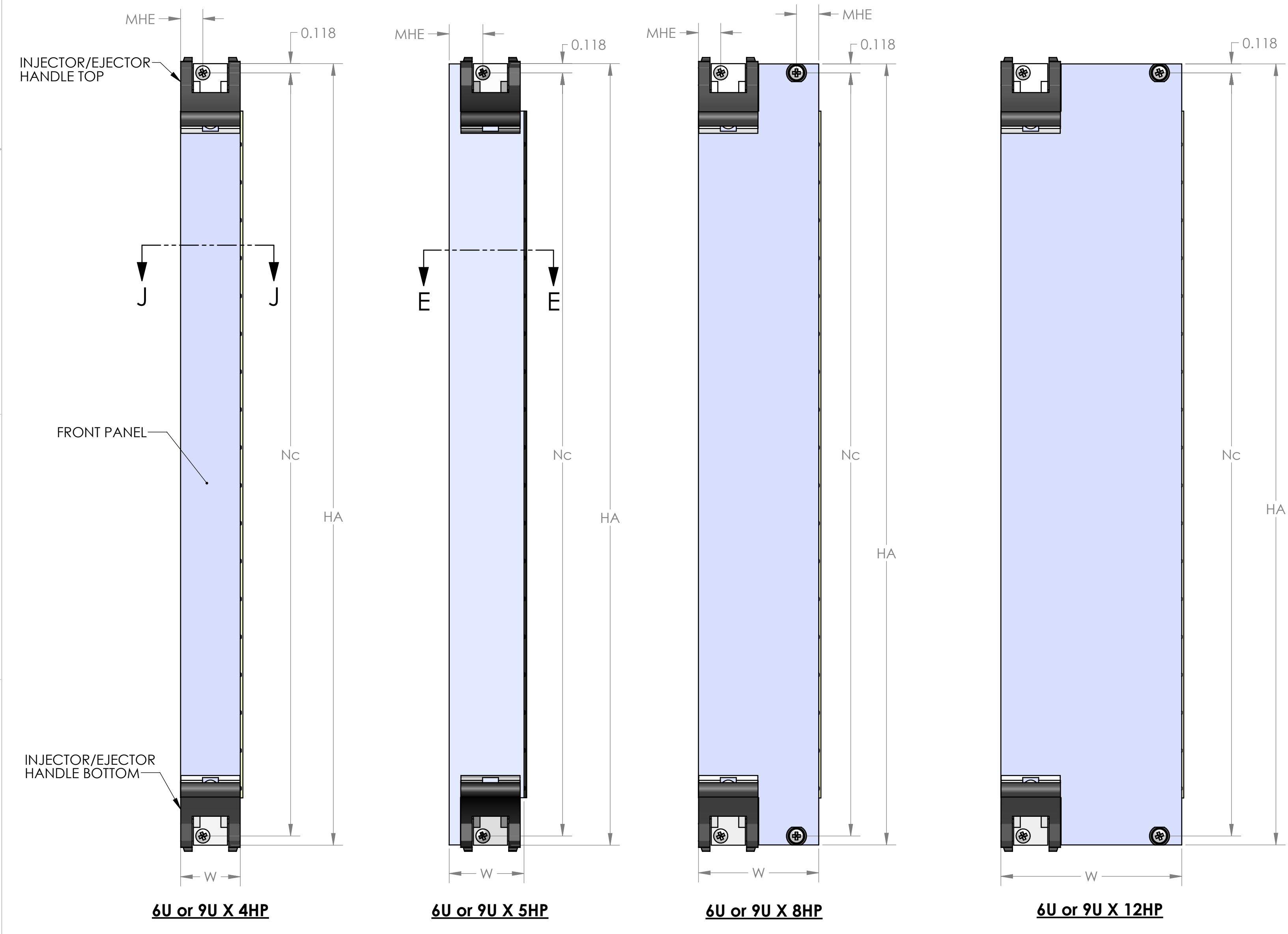
REVISIONS				
ZONE	REV	DESCRIPTION	DATE	APPROVED
ALL	A	INITIAL RELEASE	02/23/15	
SHEET 2	B	SHEET 2, DIM "A" FOR 3U X 4HP AND 4U OR 9U X 4HP, WAS NOTED AS DIM "H"	04/01/15	



- NOTES:
 1. FRONT PANELS ARE SHOWN WITH TYPE IV INJECTOR/EJECTOR HANDLES
 2. TOP/BOTTOM INJECTOR/EJECTOR HANDLES AND PCB SHOWN FOR REFERENCE ONLY. NOT PART OF FRONT PANEL KIT
 3. * INDICATES DIMENSIONS PER IEEE 1101.10
 4. HEIGHT DIM "H" INCLUDES TYPE IV HANDLE'S KEYING BRACKET

DIMENSIONS TABULATION

PART NO	DESCRIPTION	HA	WA	Nc	MHE	PMC	PCBH
FP52B4HP-1	3U X 4HP	5.059	0.788	4.823	0.294	3.500	3.937
FP52B5HP-1	3U X 5HP		0.988		0.445		
FP52B8HP-1	3U X 8HP		1.588		0.294		
FP52B12HP-1	3U X 12HP		2.388		0.294		
FP10B4HP-1	6U X 4HP	10.309	0.788	10.073	0.294	8.750	9.187
FP10B5HP-1	6U X 5HP		0.988		0.445		
FP10B8HP-1	6U X 8HP		1.588		0.294		
FP10B12HP-1	6U X 12HP		2.388		0.294		
FP15B4HP-1	9U X 4HP	15.559	0.788	15.323	0.294	14.000	14.437
FP15B5HP-1	9U X 5HP		0.988		0.445		
FP15B8HP-1	9U X 8HP		1.588		0.294		
FP15B12HP-1	9U X 12HP		2.388		0.294		



SECTION E-E FOR 3U, 6U, AND 9U 5HP WIDE PANELS SCALE 2:1

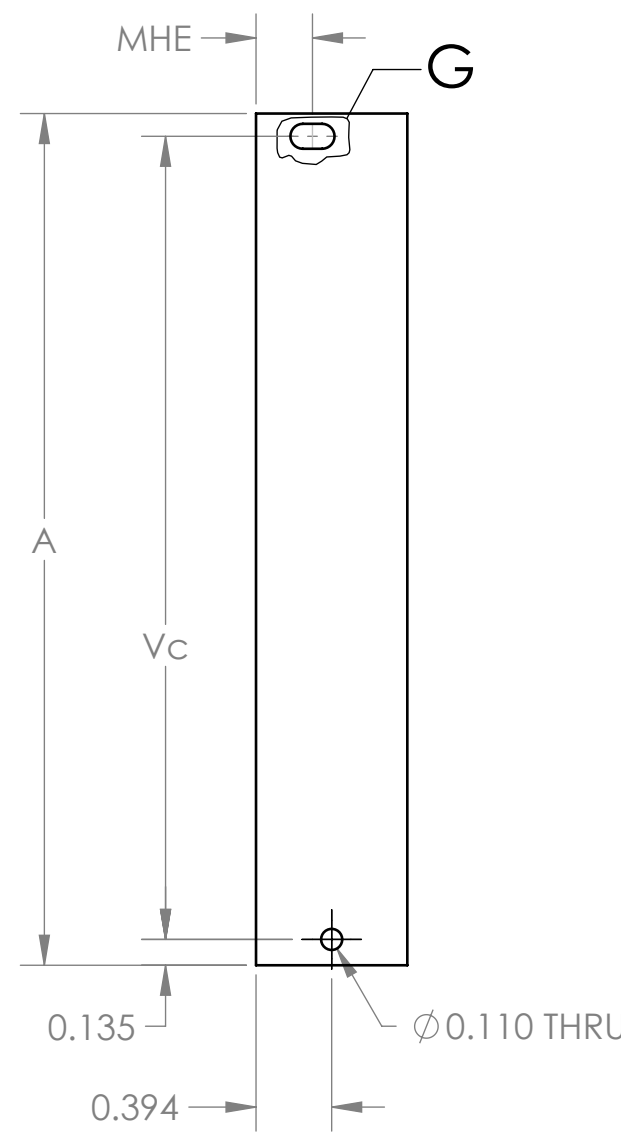
UNLESS OTHERWISE SPECIFIED:
 DIMENSIONS ARE IN INCHES
 TOLERANCES:
 DEC. X.X ±0.1
 DEC. X.XX ±0.03
 DEC. X.XXX ±0.010
 FRACTIONS ±0.050
 ANGLES ±1°
 THIRD ANGLE PROJECTION

DRAWN	TRISHAR	DATE	02/23/15
CHECKED			
ENG APPR.			
MFG APPR.			
Q.A.			

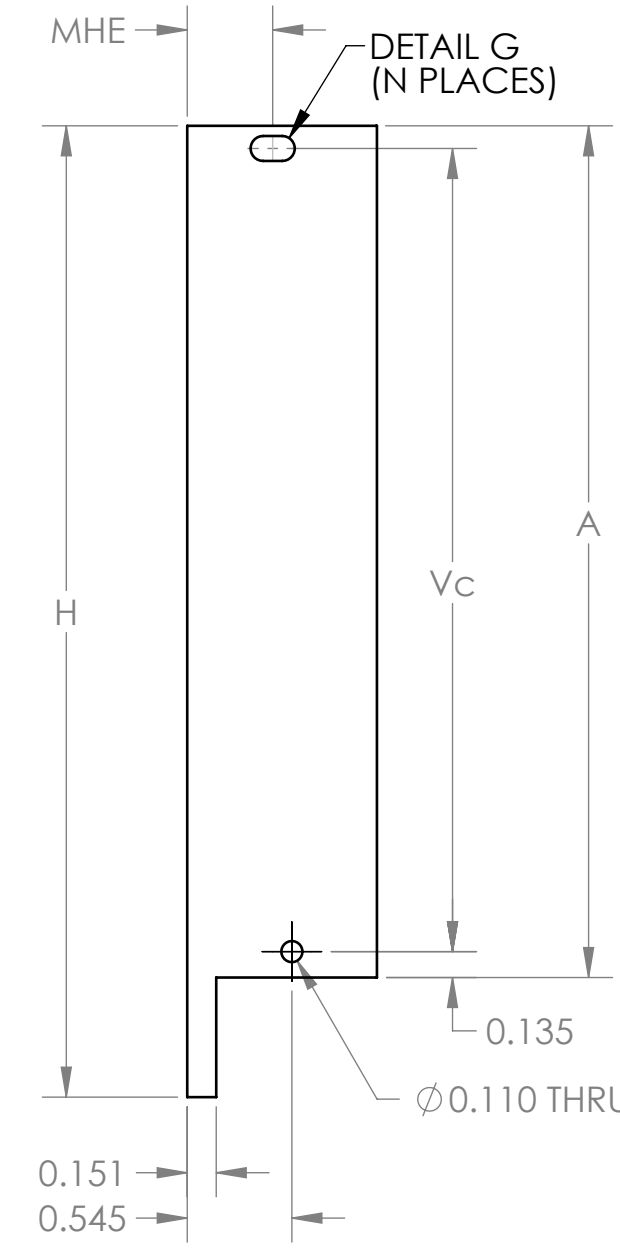
VECTOR ELECTRONICS & TECHNOLOGY, INC. 81115 VANOWEN ST., NORTH HOLLYWOOD, CA 91605
 www.vectorlect.com

EMC FRONT PANEL, 1101.10

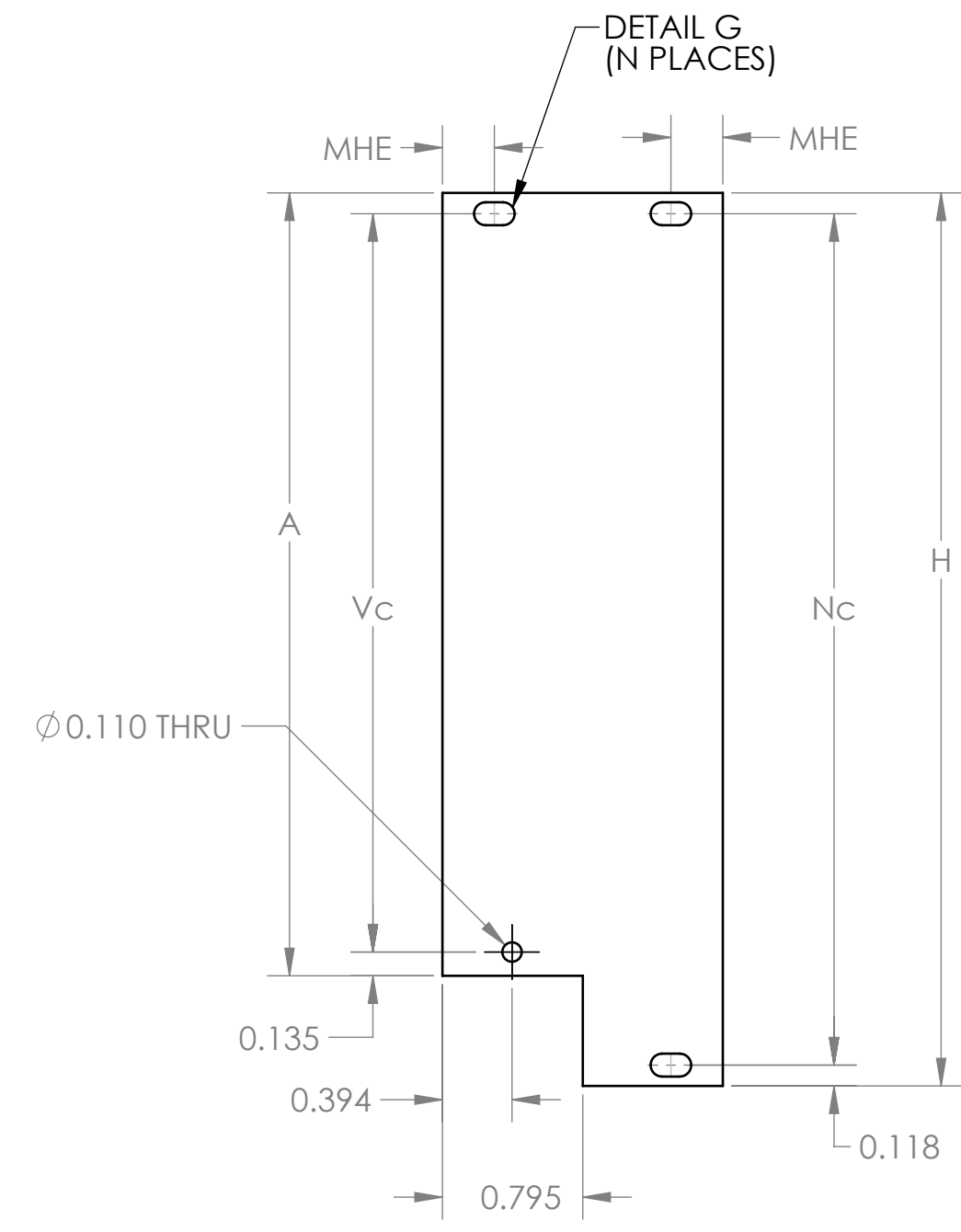
SIZE: **D** DWG. NO.: **FPXXBXHP-1** REV: **B**
 SCALE: 1:1 CAGE CODE: 82893 SHEET 1 OF 2



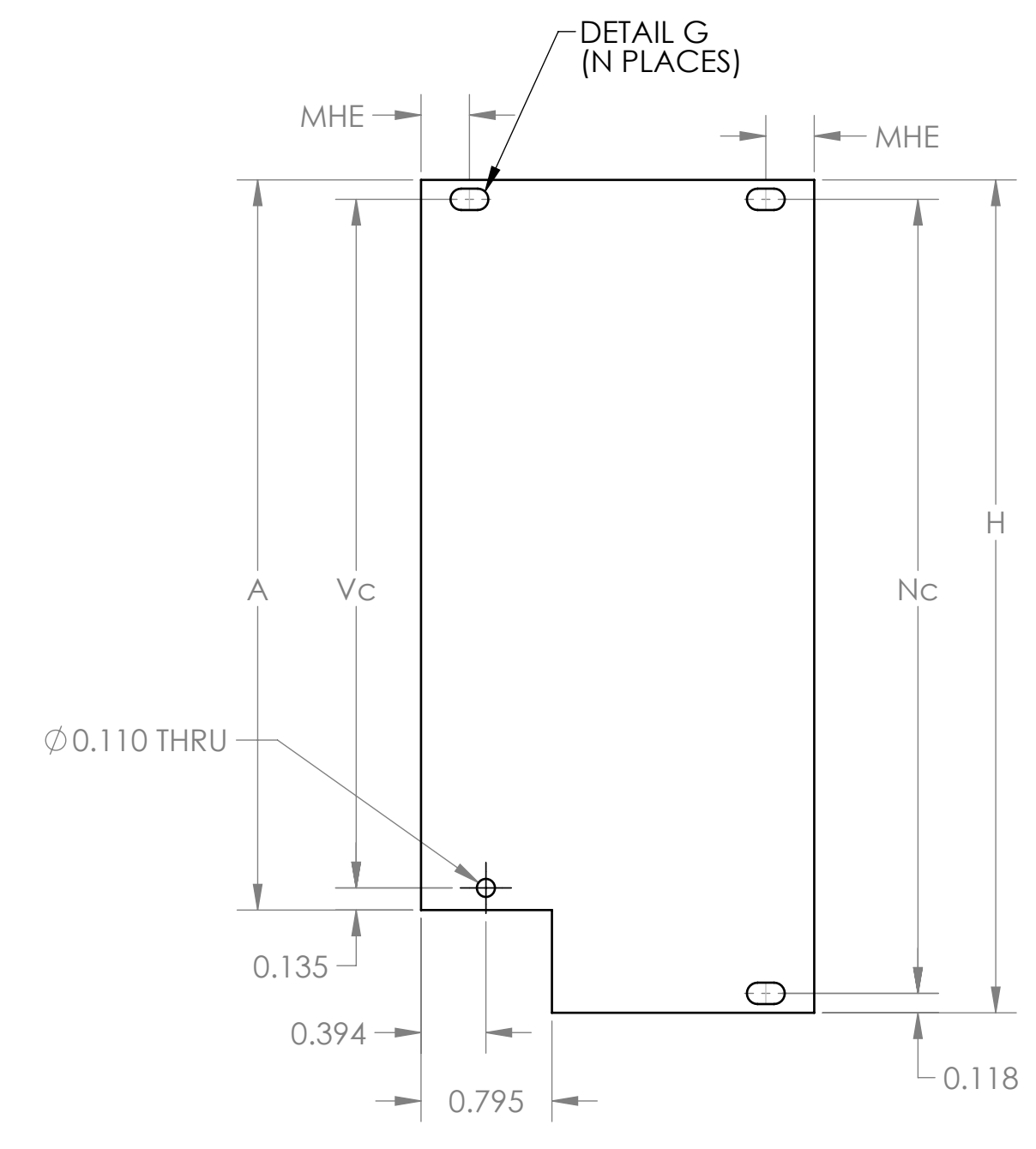
3U X 4HP



3U X 5HP



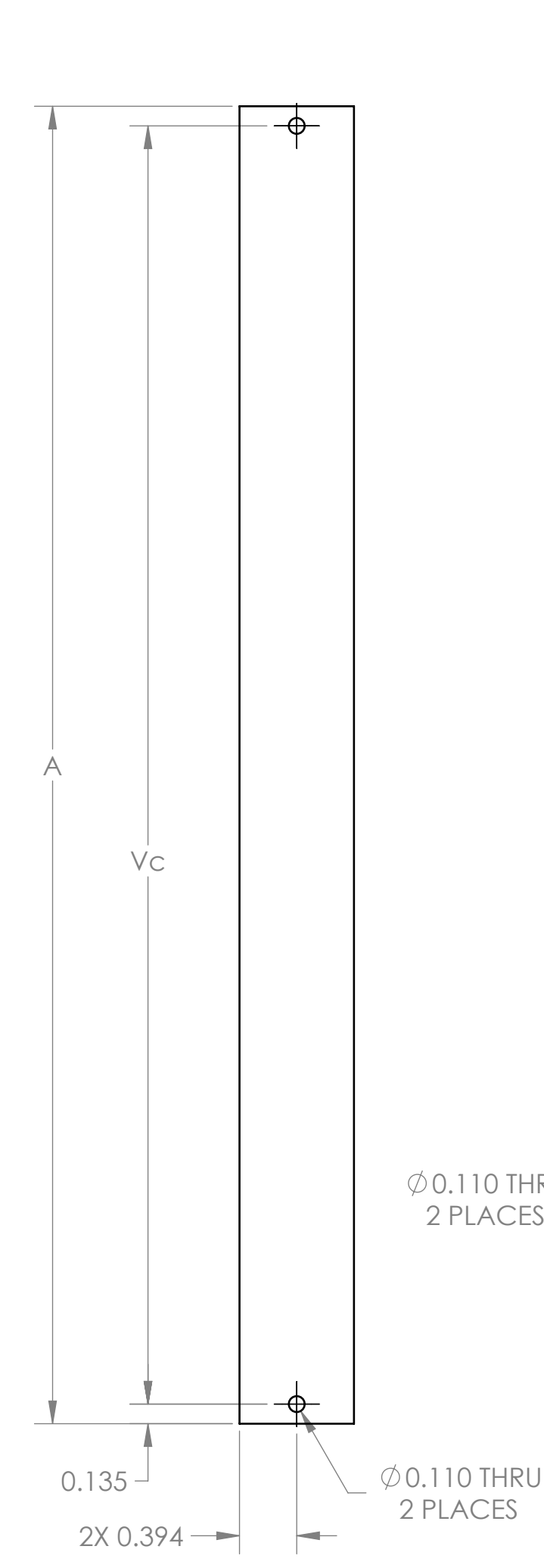
3U X 8HP



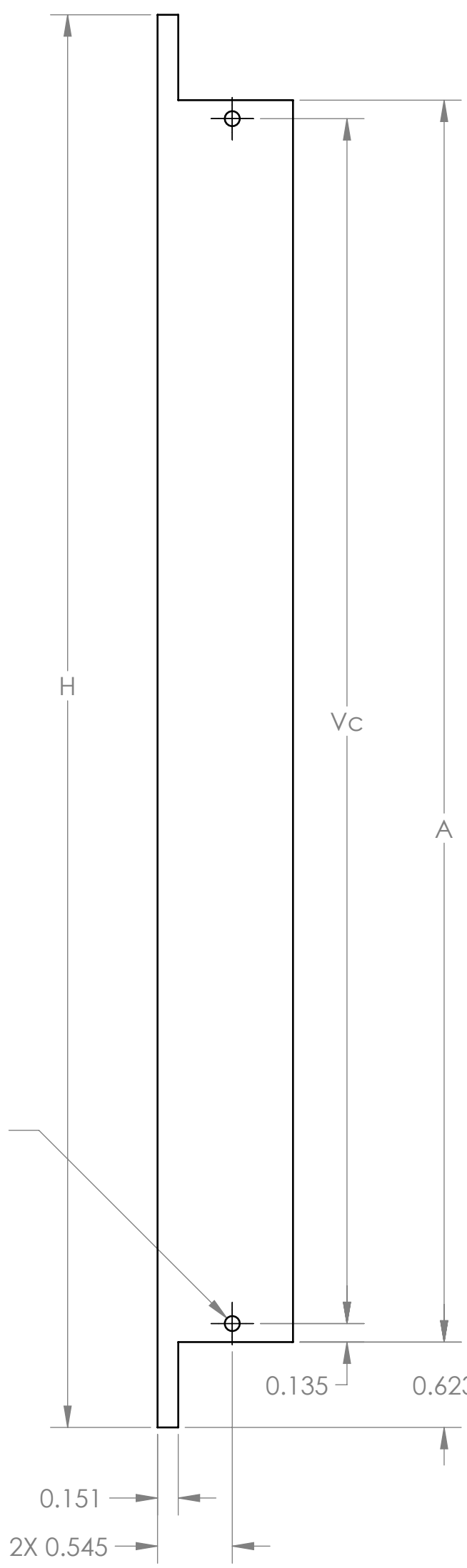
3U X 12HP

- NOTES:
 1. MATERIAL : ALUMINUM EXTRUSION, 6063-T5
 2. FRONT SURFACE GRAINED IN DIRECTION OF MATERIAL GRAIN
 3. FINISH : CLEAR CHEM FILM, MIL-C-5541, CLASS 3

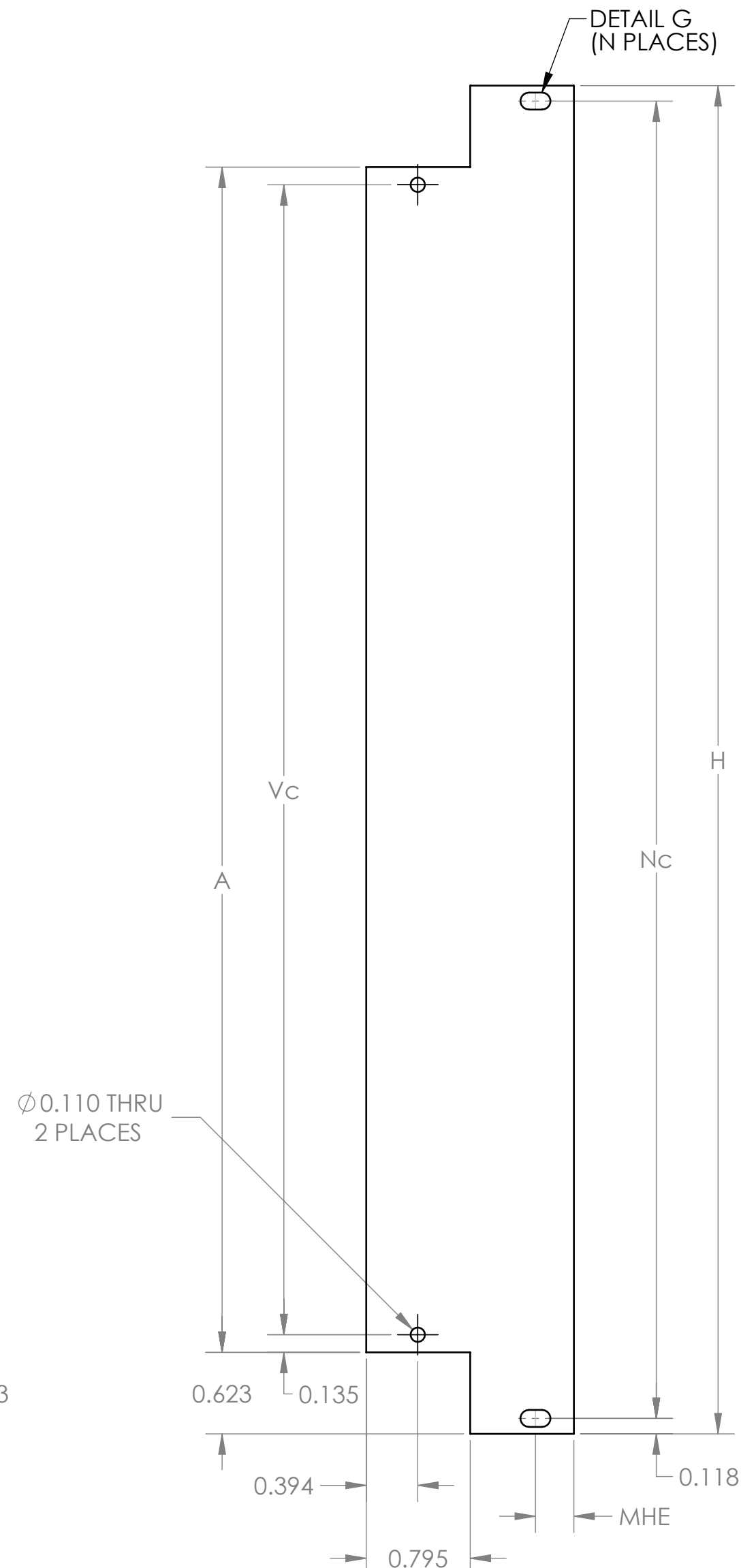
DIMENSIONS TABULATION								
PART NO	DESCRIPTION	H	W	MHE	Nc	Vc	A	PLACES N
FP52B4HP-1	3U X 4HP	-	0.788	0.294	-	4.183	4.436	1
FP52B5HP-1	3U X 5HP	5.059	0.988	0.445	-			1
FP52B8HP-1	3U X 8HP		1.588	0.294	4.823			3
FP52B12HP-1	3U X 12HP		2.388	0.294	4.823	3		
FP10B4HP-1	6U X 4HP	-	0.788	-	-	8.793	9.063	-
FP10B5HP-1	6U X 5HP	10.309	0.988	-	-			-
FP10B8HP-1	6U X 8HP		1.588	0.294	10.073			2
FP10B12HP-1	6U X 12HP		2.388	0.294	10.073	2		
FP15B4HP-1	9U X 4HP	-	0.788	-	-	14.043	14.313	-
FP15B5HP-1	9U X 5HP	15.559	0.988	-	-			-
FP15B8HP-1	9U X 8HP		1.588	0.294	15.323			2
FP15B12HP-1	9U X 12HP		2.388	0.294	15.323			2



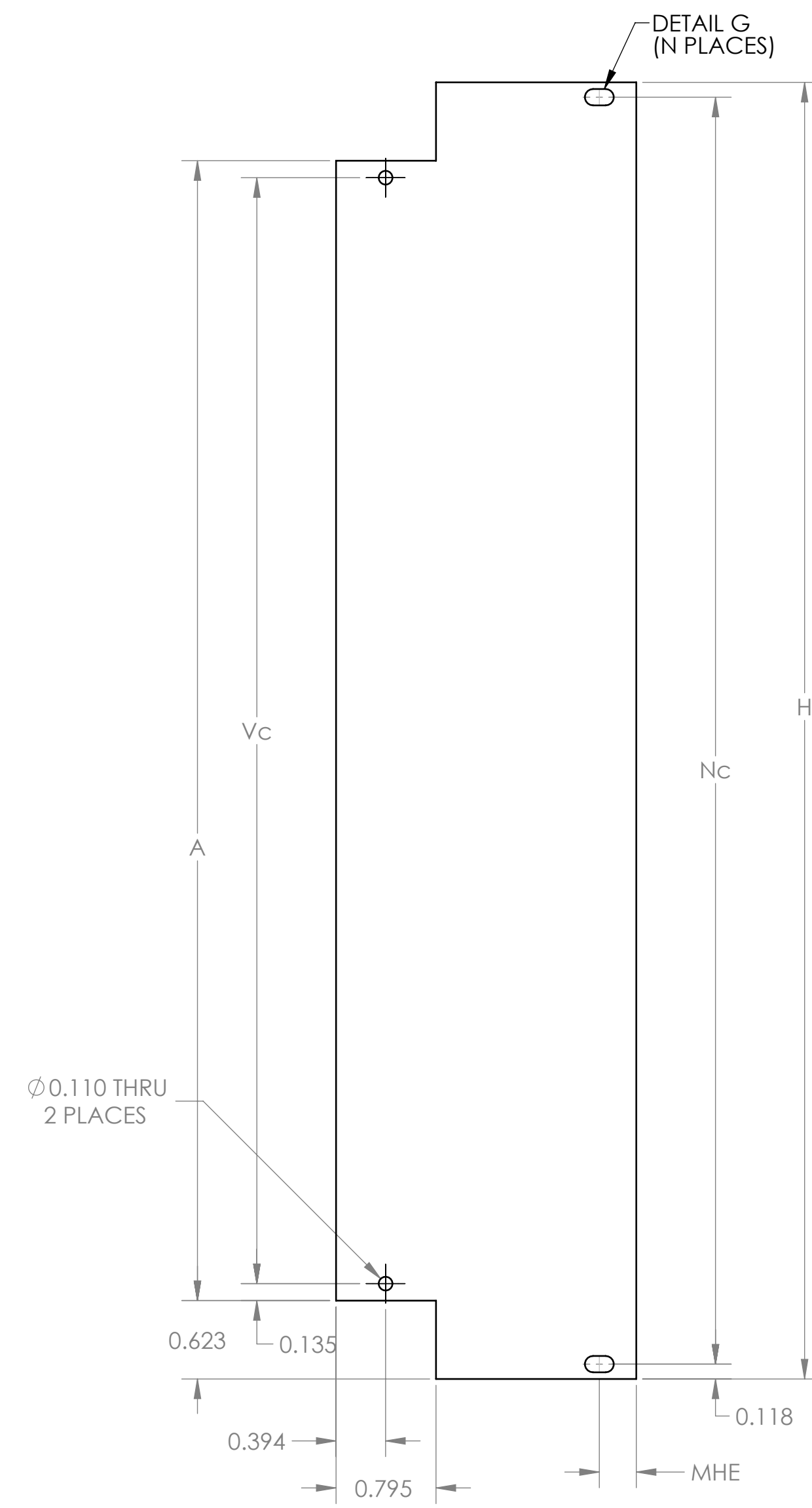
6U or 9U X 4HP



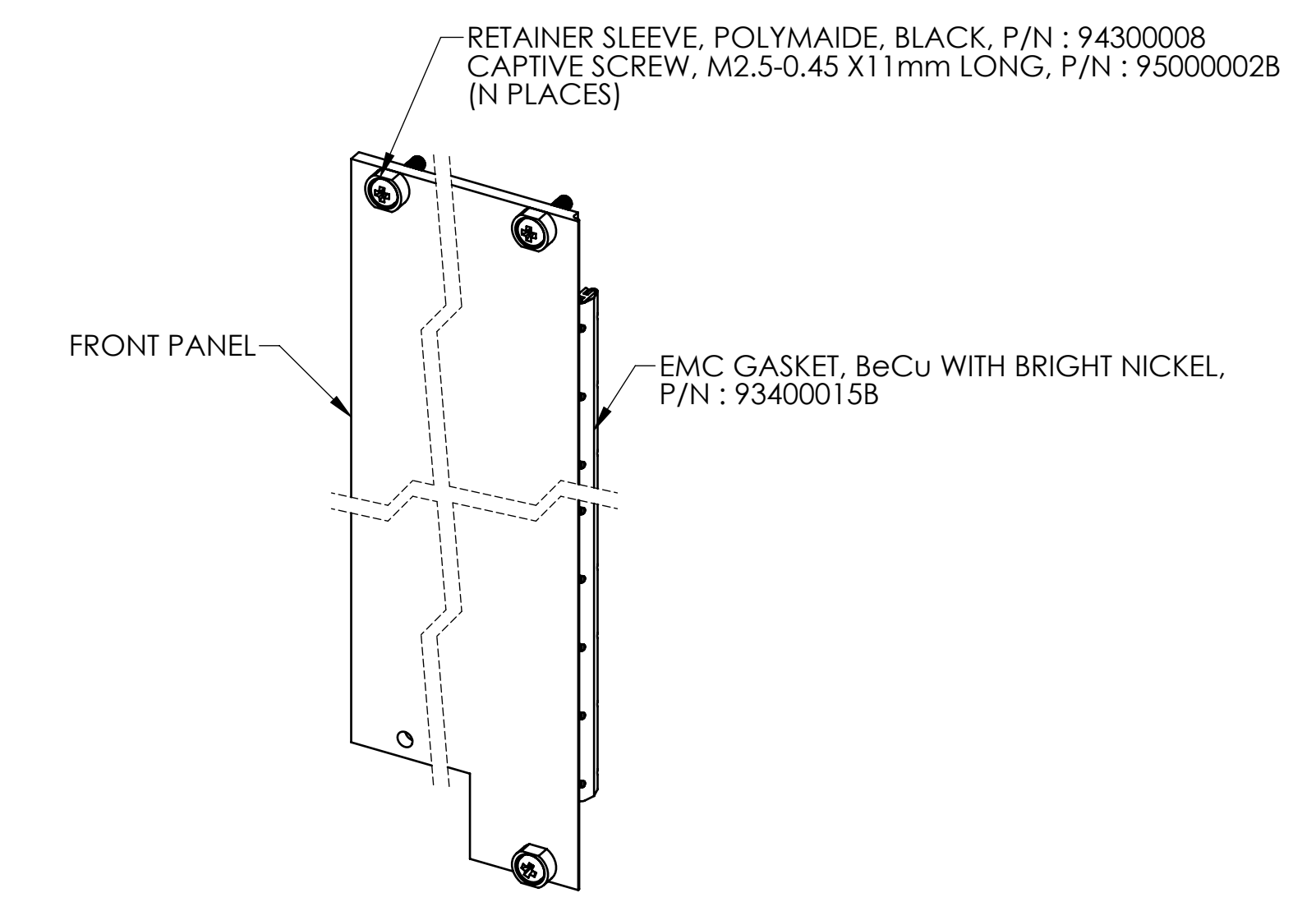
6U or 9U X 5HP



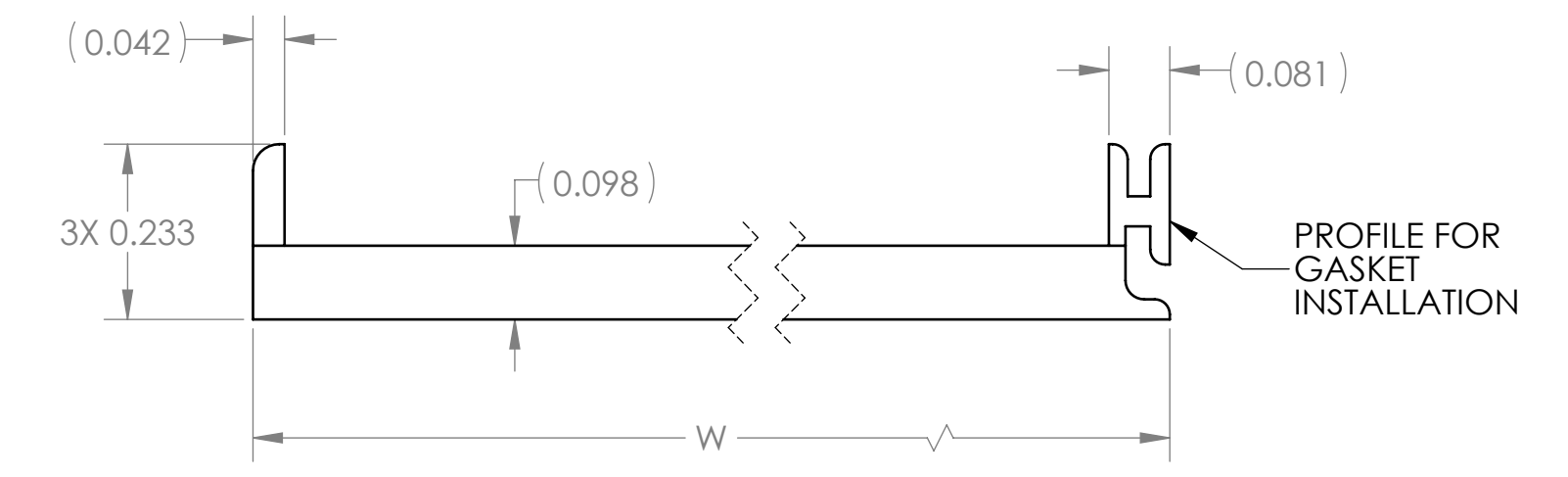
6U or 9U X 8HP



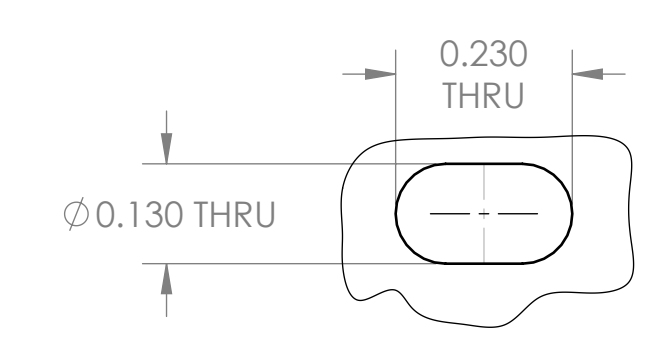
6U or 9U X 12HP



FPXXAXHP-1 FRONT PANEL ASSY



PANEL PROFILE DETAIL



**DETAIL G
SCALE 4 : 1**

VECTOR 11115 VANOWEN ST.
 NORTH HOLLYWOOD, CA 91605
 ELECTRONICS & TECHNOLOGY, INC. www.vectorsect.com

EMC FRONT PANEL, 1101.10

SIZE	DWG. NO.	REV
D	FPXXBXHP-1	B

SCALE: 1:1 | CAGE CODE: 82893 | SHEET 2 OF 2

X-ON Electronics

Largest Supplier of Electrical and Electronic Components

Click to view similar products for [Mounting Fixings](#) category:

Click to view products by [Vector](#) manufacturer:

Other Similar products are found below :

[5912235-2](#) [007541](#) [627](#) [M3783-7001](#) [71-074914-006](#) [75-69211-3P](#) [75-69214-6P](#) [75-69220-27S](#) [75-69224-5S](#) [7717-8DAP](#) [85047GULPT](#)
[85048GBESR](#) [FPK-02-R10](#) [PMS27488-001-01](#) [1-18023-0](#) [H-118-2](#) [DB1](#) [1302030464](#) [DC37-22-21PX](#) [1302010957](#) [1302263564](#)
[1302340393](#) [1404-0016-78](#) [14540](#) [1561-60](#) [1566](#) [1566](#) [BR16A](#) [NT20SATT01](#) [22594-8](#) [KBB-141](#) [89078GBEPR](#) [915060](#) [SF4011-60101](#)
[97-CS-50](#) [1671](#) [1855-54](#) [T-2085-SP](#) [20800240002](#) [21899-4](#) [2193](#) [2518](#) [25745-1](#) [H-118-1](#) [354467](#) [37184](#) [4658](#) [4665](#) [4731](#) [BRACKET-RA-](#)
[30](#)