

PROPRIETARY AND CONFIDENTIAL  
 THE INFORMATION CONTAINED IN THIS DRAWING IS THE SOLE PROPERTY OF VECTOR ELECTRONICS & TECHNOLOGY, INC. ANY REPRODUCTION IN PART OR AS A WHOLE WITHOUT THE WRITTEN PERMISSION OF VECTOR ELECTRONICS & TECHNOLOGY, INC. IS PROHIBITED.

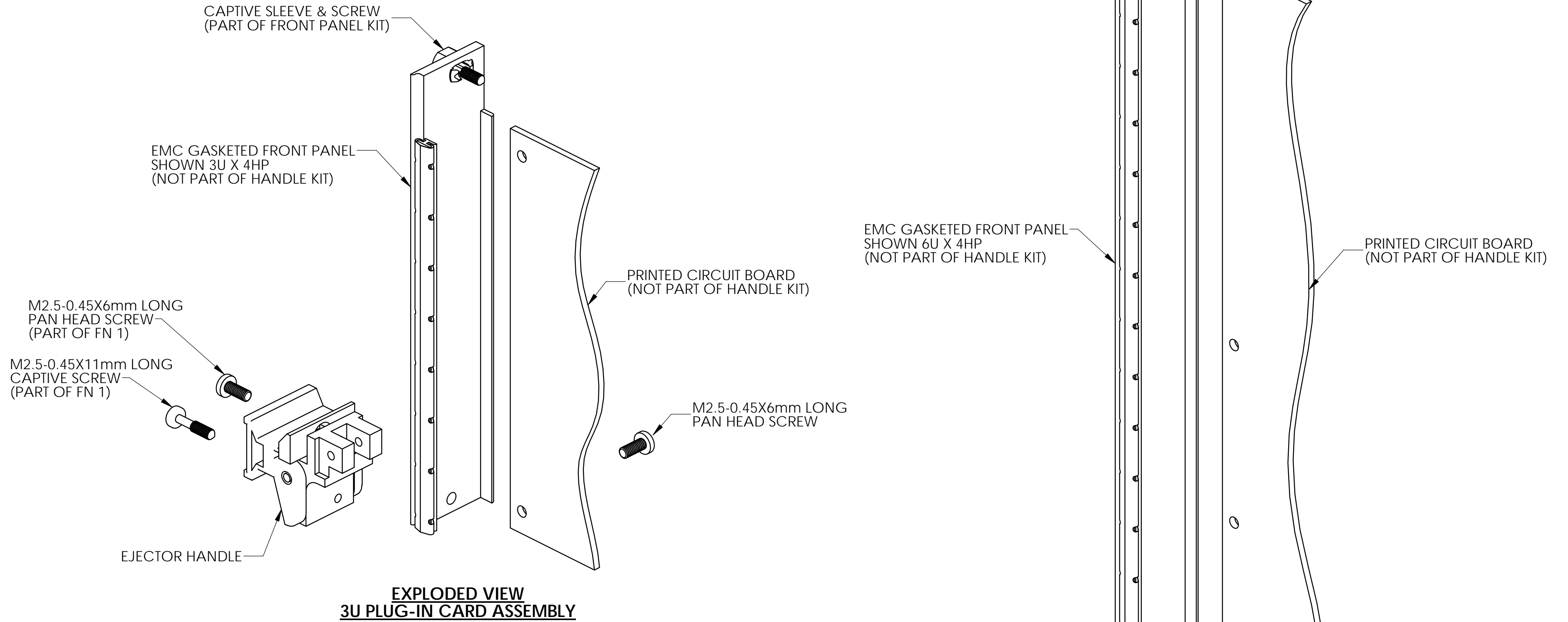
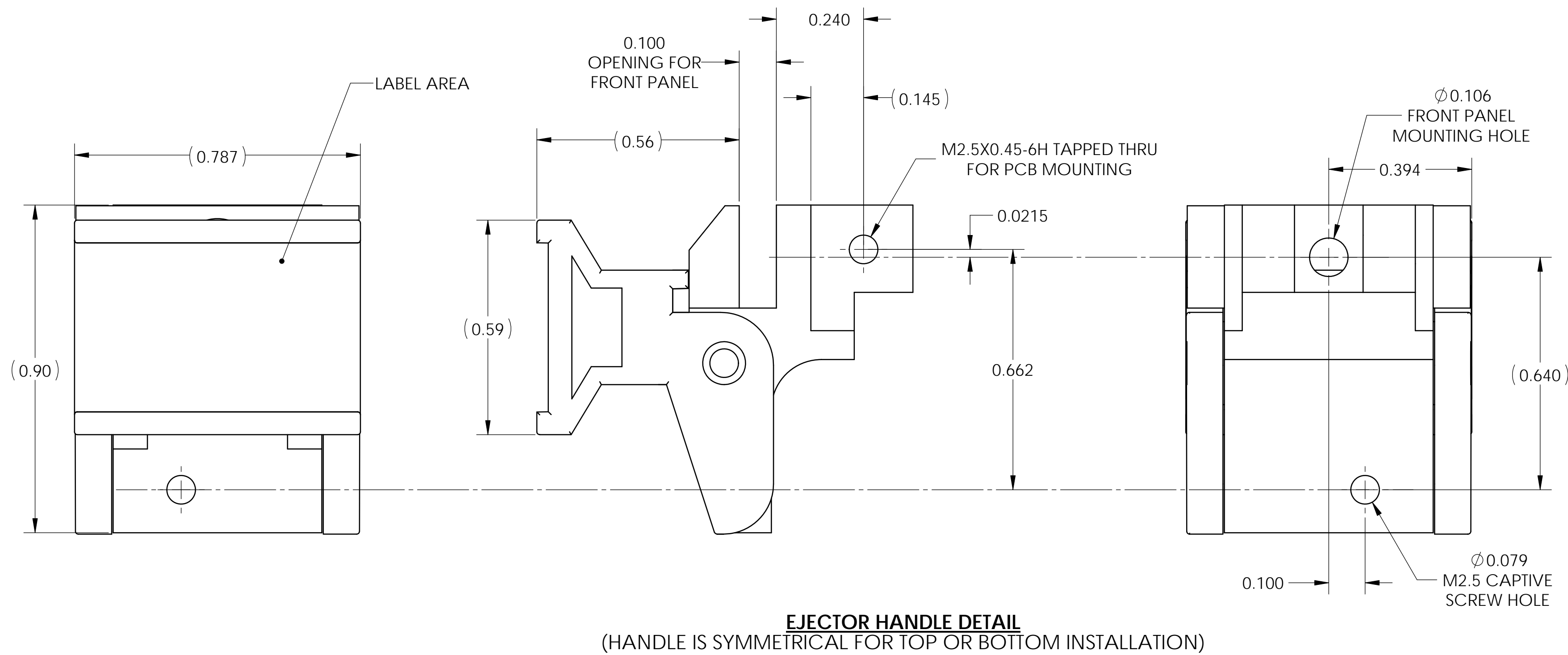
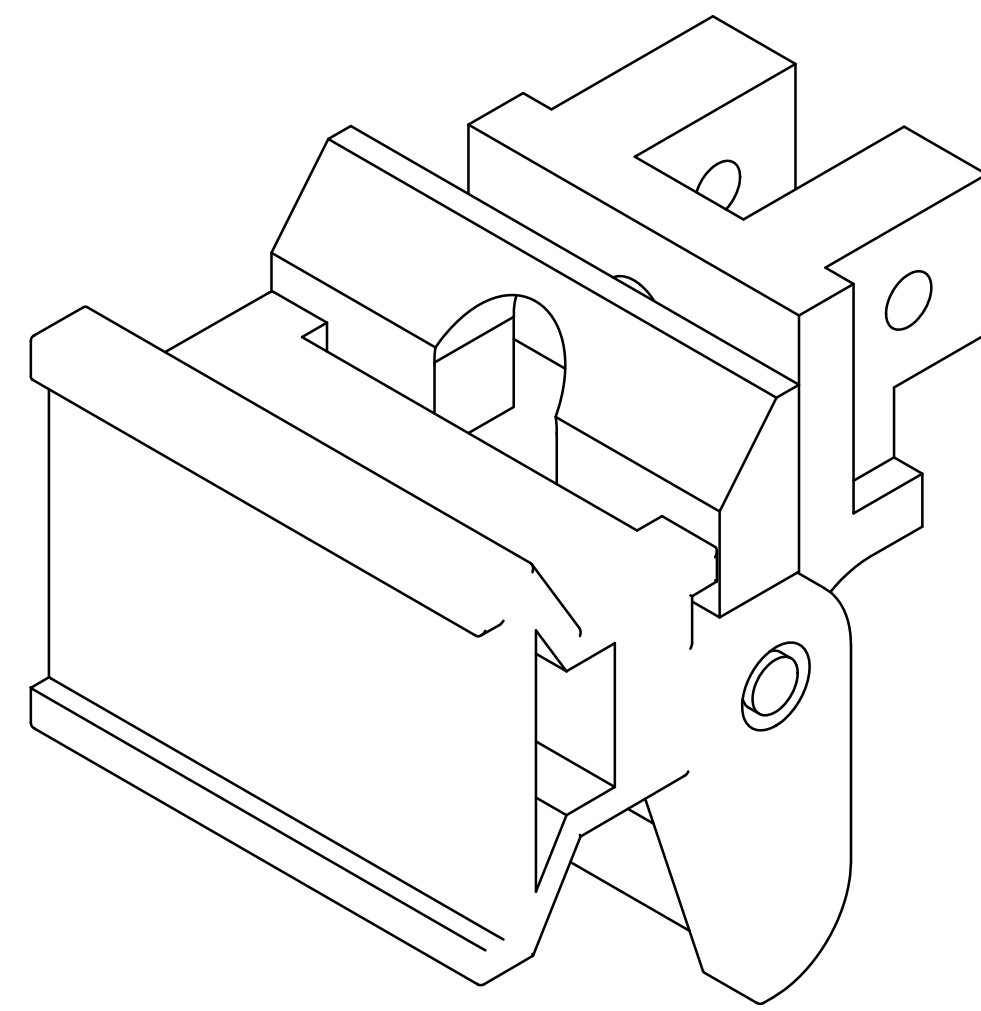
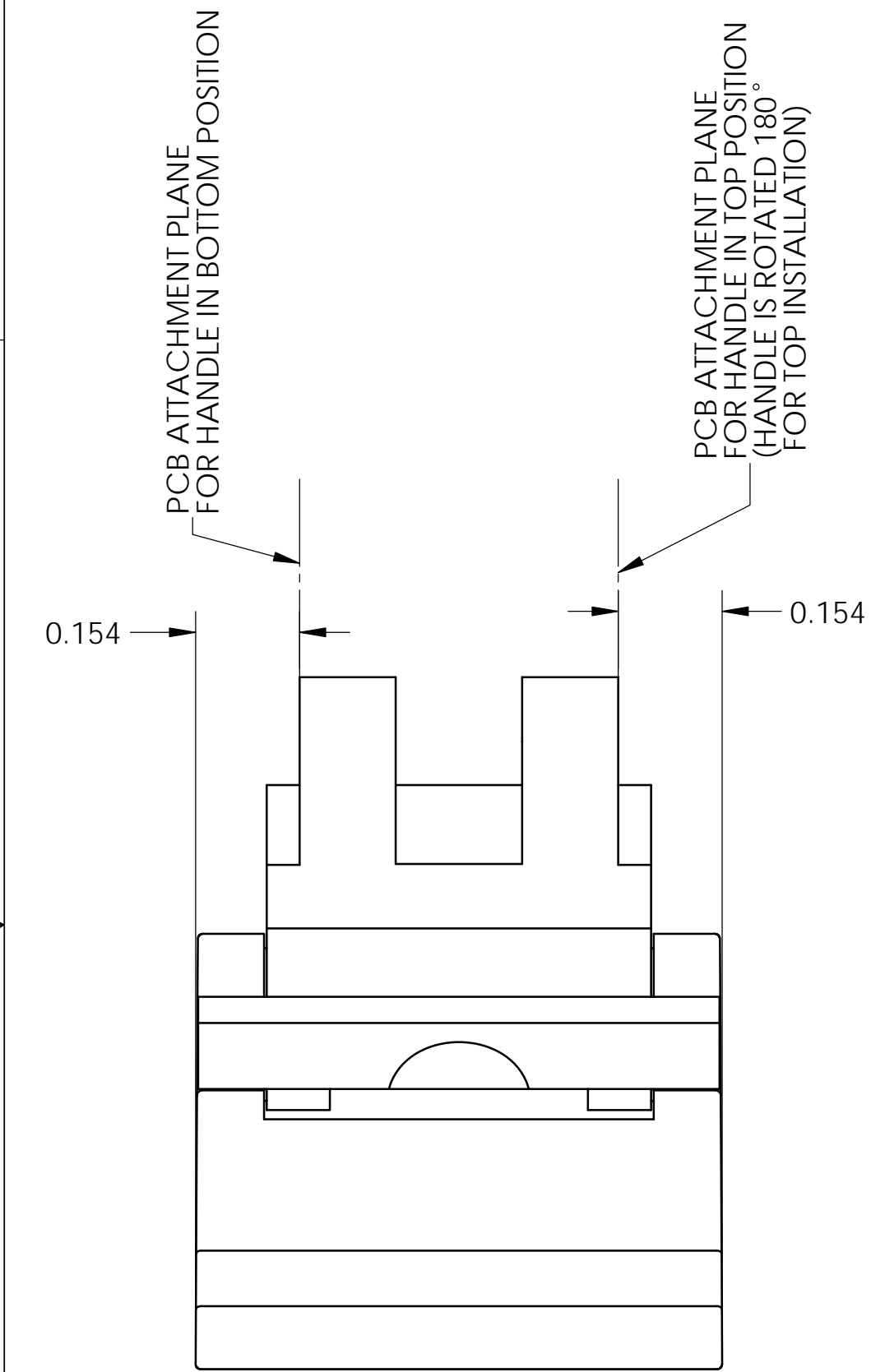
REVISIONS				
ZONE	REV	DESCRIPTION	DATE	APPROVED
ALL	A	INITIAL RELEASE	07/22/15	

**90100043 PARTS LIST**  
 (FOR 3U FRONT PANEL ASSEMBLY)

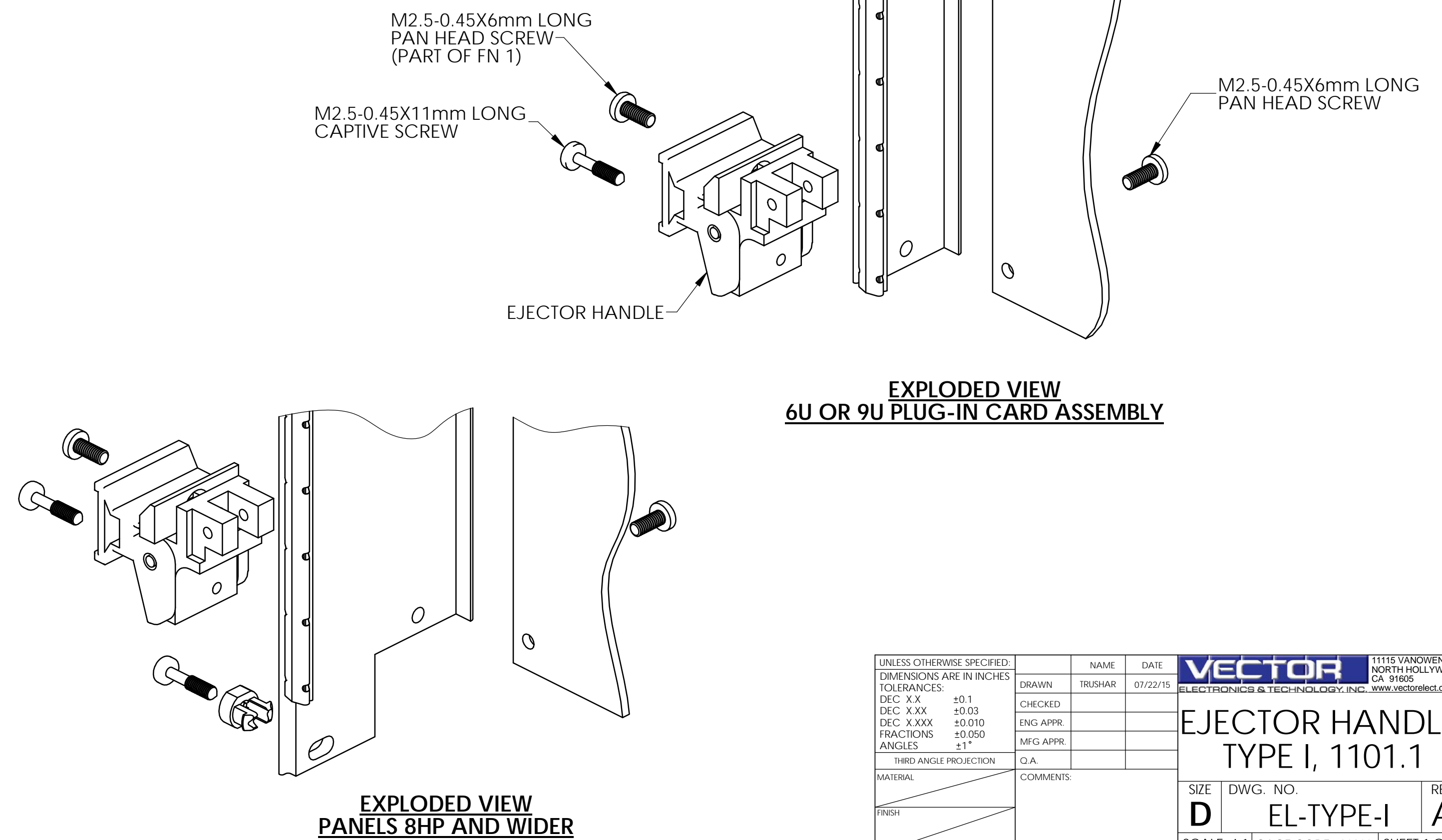
FIND NO	DESCRIPTION	PART NO	QTY	U/M
1	EJECTOR HANDLE, TYPE I	90100043#	1	EACH
2	SCREW, PAN HEAD, M2.5-0.45X6mm	88000066	1	EACH
3	ASSEMBLY INSTRUCTION SHEET	IN406	1	EACH

**90100044 PARTS LIST**  
 (FOR 6U OR 9U FRONT PANEL ASSEMBLY)

FIND NO	DESCRIPTION	PART NO	QTY	U/M
1	EJECTOR HANDLE, TYPE I	90100043#	2	EACH
2	SCREW, PAN HEAD, M2.5-0.45X6mm	88000066	2	EACH
3	ASSEMBLY INSTRUCTION SHEET	IN406	1	EACH



**EXPLODED VIEW**  
**3U PLUG-IN CARD ASSEMBLY**



**EXPLODED VIEW**  
**6U OR 9U PLUG-IN CARD ASSEMBLY**

**EXPLODED VIEW**  
**PANELS 8HP AND WIDER**

UNLESS OTHERWISE SPECIFIED: DIMENSIONS ARE IN INCHES TOLERANCES:	NAME	DATE	<b>VECTOR</b> ELECTRONICS & TECHNOLOGY, INC. www.vectorselect.com	TITLE YANQIEN SHI NORTH HOLLYWOOD CA 91355
DEC .X.X ±0.1	DRAWN	TRISHAR		
DEC .X.XXX ±0.03	CHECKED			
DEC .X.XXXX ±0.010	ENG APPR			
FRACTIONS ±0.050	MFG APPR			
ANGLES ±1°	Q.A.			
THIRD ANGLE PROJECTION	COMMENTS:			
MATERIAL				
FINISH				

**EJECTOR HANDLE, TYPE I, 1101.1**

SIZE	DWG. NO.	REV
<b>D</b>	<b>EL-TYPE-I</b>	<b>A</b>
SCALE: 4:1 CAGE CODE: 82893 SHEET 1 OF 1		

## X-ON Electronics

Largest Supplier of Electrical and Electronic Components

*Click to view similar products for [Mounting Fixings](#) category:*

*Click to view products by [Vector](#) manufacturer:*

Other Similar products are found below :

[5912235-2](#) [007541](#) [627](#) [M3783-7001](#) [71-074914-006](#) [71-441549-19S](#) [75-69211-3P](#) [75-69214-6P](#) [75-69220-27S](#) [75-69224-5S](#) [7717-8DAP](#)  
[85047GULPT](#) [FPK-02-R10](#) [PMS27488-001-01](#) [1-18023-0](#) [H-118-2](#) [D83999/20WC8SN](#) [DB1](#) [1302030464](#) [DC31-14W19PN](#) [DC31-14W19PW](#) [DC32-18W32SN](#) [DC36-18-32SW](#) [DC36-18-32SX](#) [DC37-14-19PW](#) [DC37-22-21PX](#) [1302010957](#) [1302263564](#) [1302340393](#)  
[1404-0016-78](#) [14540](#) [149331-9811](#) [1561-60](#) [1566](#) [1566](#) [17542](#) [BR16A](#) [HS5659MB98PN](#) [NT20SATT01](#) [201C5058-01-201](#) [REV E](#) [22594-8](#)  
[KBB-141](#) [915060](#) [SF4011-60101](#) [97-CS-50](#) [1671](#) [LS10215R14-15PN](#) [LS10215R14-7PN](#) [L/C](#) [1855-54](#) [T-2085-SP](#)