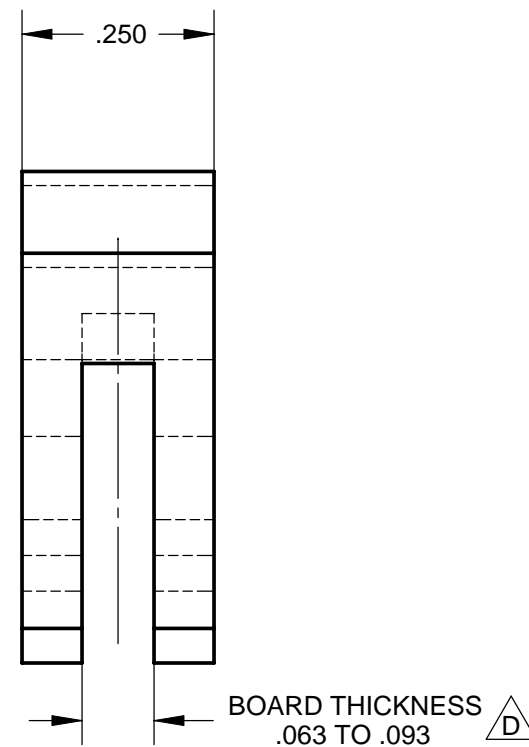
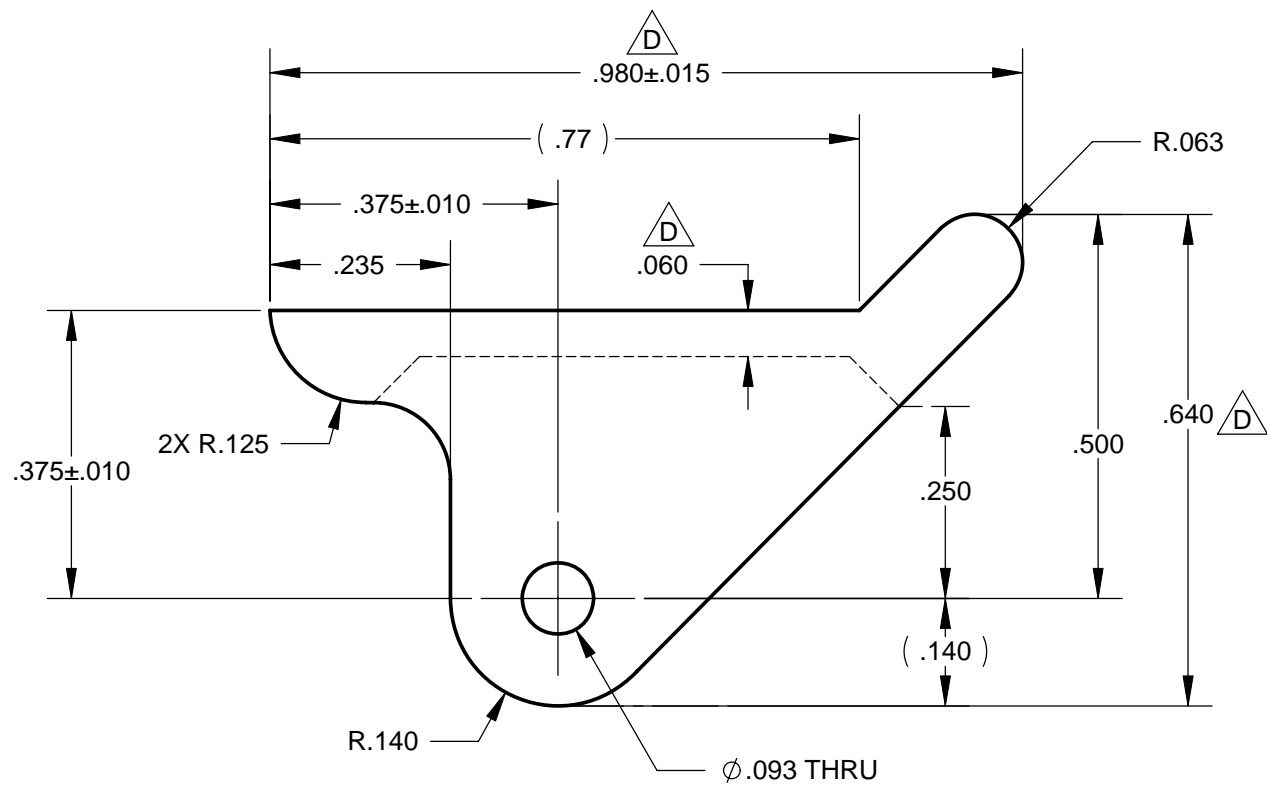
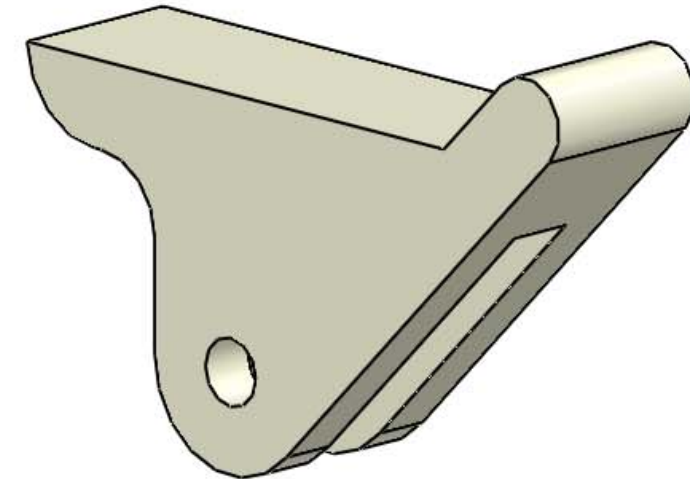
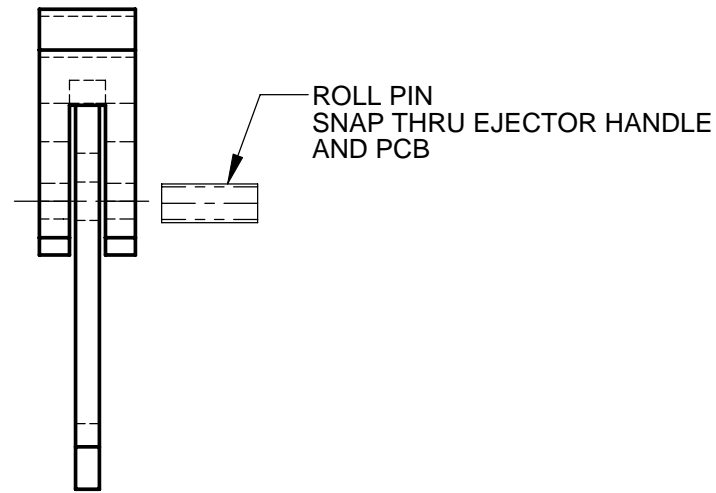
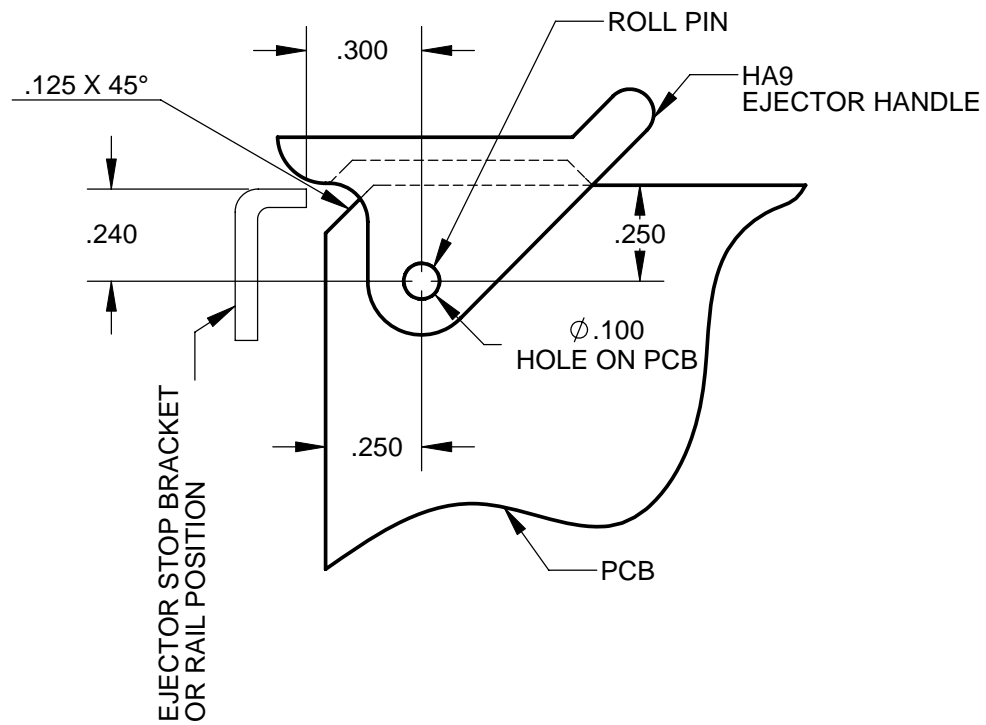
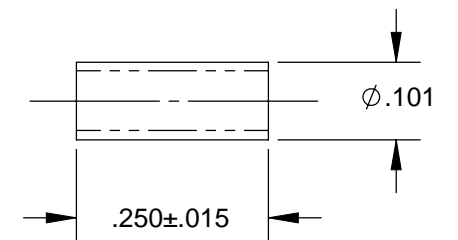


RECOMMENDED PCB LAYOUT



EJECTOR ROLL PIN DETAIL
MATERIAL : PASSIVATED STAINLESS STEEL



HA9 EJECTOR HANDLE DETAIL 1

1. MATERIAL : NYLON 6/6, 94V-2, WHITE COLOR

NOTES: UNLESS OTHERWISE SPECIFIED.

PROPRIETARY AND CONFIDENTIAL
THE INFORMATION CONTAINED IN THIS DRAWING IS THE SOLE PROPERTY OF VECTOR ELECTRONICS & TECH., INC. ANY REPRODUCTION IN PART OR AS A WHOLE WITHOUT THE WRITTEN PERMISSION OF VECTOR ELECTRONICS & TECH., INC. IS PROHIBITED.

UNLESS OTHERWISE SPECIFIED:	NAME	DATE
DIMENSIONS ARE IN INCHES	DRAWN	TRUSHAR 01/07/10
TOLERANCES:	CHECKED	
FRACTIONAL \pm	ENG APPR.	
ANGULAR: $\pm 5^\circ$	MFG APPR.	
TWO PLACE DECIMAL $\pm .03$	Q.A.	
THREE PLACE DECIMAL $\pm .010$		
INTERPRET GEOMETRIC TOLERANCING PER:		
	THIRD ANGLE PROJECTION	
DO NOT SCALE DRAWING		

VECTOR ELECTRONICS & TECHNOLOGY, INC.		11115 VANOWEN ST., NORTH HOLLYWOOD, CA 91605
HA9 CARD EJECTOR HANDLE		
SIZE	DWG. NO.	REV
B	MC5005-2-2	D
SCALE: 4:1	WEIGHT:	SHEET 1 OF 1

REVISIONS				
ZONE	REV.	DESCRIPTION	DATE	APPROVED
ALL	B	REDRAWN ECO 1673	07/09/76	
	B1	ADDED .500 DIM.	08/13/76	
	C	ADDED MISSING DIMENSIONS	01/07/10	
	D	CHANGED TO COMPLIANT .063 OR .093 THK. CARD (WAS .063 THK. ONLY), CHANGED COLOR, CHANGED DIMENSIONS	12/09/11	

X-ON Electronics

Largest Supplier of Electrical and Electronic Components

Click to view similar products for [Racks & Rack Cabinet Accessories](#) category:

Click to view products by [Vector](#) manufacturer:

Other Similar products are found below :

[M00-PLN](#) [F2424](#) [8351-832-A-24](#) [9104](#) [9105](#) [PLFF2000](#) [H-9163-B](#) [1427C3](#) [HTS10](#) [PC-79](#) [SC10-3A](#) [SC4-28](#) [CG3-340S/12](#) [CP-001BK](#)
[M6123-4007-SS](#) [TS170](#) [LP40](#) [5261304-07](#) [CG3-160G](#) [7112C-PLN](#) [ALUM](#) [CM10](#) [8610-3124-S-26](#) [TS81](#) [7142](#) [GP134](#) [M6125-4007-A-24](#)
[M6127-4007-SS](#) [PBCOVER](#) [512](#) [AEG-4000G](#) [AEG-3000G](#) [HD99](#) [SR2-66A2](#) [FP10B4HP-1](#) [SR16-66A2](#) [FP52-2](#) [1406-1006-01](#) [29478](#)
[TS2535](#) [TS169-6](#) [CAC2](#) [HA19-3U](#) [BR-19-10-1](#) [TS180](#) [CG3-ESD](#) [SC11-1](#) [CFS-1.00/2.20](#) [AX6145WM](#) [HEC0800PB](#) [ZC633R](#)