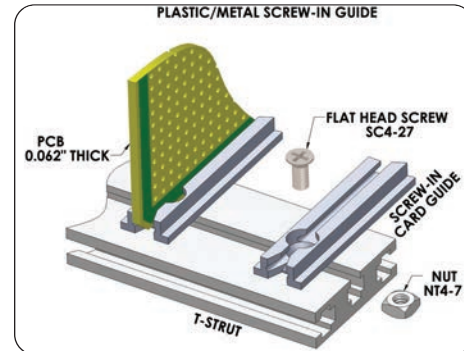
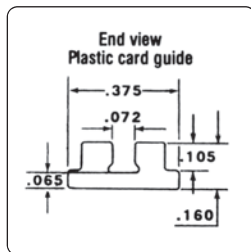
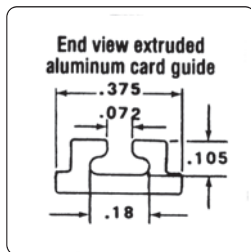
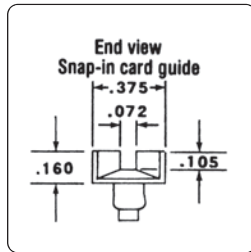
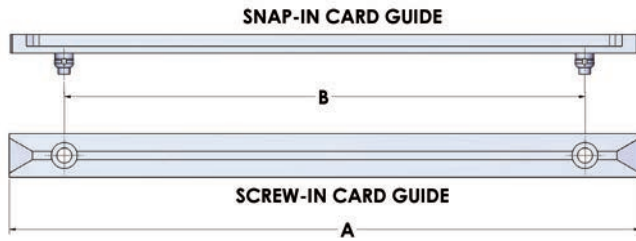




Card Guides

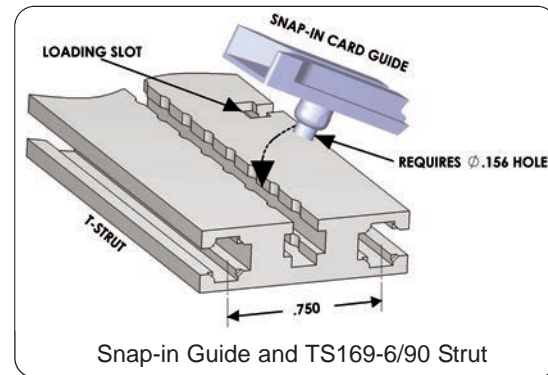
High quality card guides feature tapered slots for easy insertion. Snap-in nylon models provide easy installation and removal without tools, and can be positioned at 0.25" increments (64 0.156" holes on 0.250" centers) when used with Vector-Pak T-struts (TS169-6/90). Screw-mounted models (installation hardware included) are available in metal or plastic and provide variable positioning along entire length of strut. Holes for mounting guides to struts are based on center-to-center multiples of 0.75". All materials are flame retardant.



Metal or plastic screw down card guides attach with SC4-27/25 flat head screw and NT4-7PA square nut

Part No.	Type	Length		Card Length	Application
		A	B		
CG2-45P	Plastic, Screw-in	2.89"	2.25"	4.50"	
CG2-45S	Nylon, Snap-in	3.17"	2.25"	4.50"	Subrack series 12,
CG2-50P	Plastic, Screw-in	4.39"	3.75"	5.00"	13, 14, 15, 16, 17,
CG2-65M	Metal, Screw-in	5.14"	4.50"	6.50"	18, 19, 20 & 100
CG2-65P	Plastic, Screw-in	5.42"	4.50"	6.50"	and Vector P series
CG2-65S	Nylon, Snap-in	5.42"	4.50"	6.50"	sidewalls
CG2-80P	Plastic, Screw-in	6.64"	6.00"	8.00"	
CG2-80S	Nylon, Snap-in	6.93"	6.00"	8.00"	Subrack series 14,
CG2-95M	Metal, Screw-in	8.14"	7.50"	9.50"	15, 16, 17, 18, 19,
CG2-95P	Plastic, Screw-in	8.14"	7.50"	9.50"	20 and 100 and
CG2-95S	Nylon, Snap-in	8.43"	7.50"	9.50"	Vector P series side-
CG2-132M	Metal, Screw-in	11.89"	11.25"	13.25"	walls ending in 119
CG2-132P	Plastic, Screw-in	11.89"	11.25"	13.25"	or 156
CG2-135M	Metal, Screw-in	13.19"	12.55"	Special length	Special Length
CG2-135P	Plastic, Screw-in	13.19"	12.55"	Special length	Special Length

Packages of 12 ea. Screw down types include installation hardware and are available in custom lengths on request.



Snap-in Guide and TS169-6/90 Strut

EIA Subracks



X-ON Electronics

Largest Supplier of Electrical and Electronic Components

Click to view similar products for [Racks & Rack Cabinet Accessories](#) category:

Click to view products by [Vector](#) manufacturer:

Other Similar products are found below :

[M00-PLN](#) [F2424](#) [8351-832-A-24](#) [9104](#) [9105](#) [PLFF2000](#) [H-9163-B](#) [1427C3](#) [HTS10](#) [PC-79](#) [SC10-3A](#) [SC4-28](#) [CG3-340S/12](#) [CP-001BK](#)
[M6123-4007-SS](#) [TS170](#) [LP40](#) [5261304-07](#) [CG3-160G](#) [7112C-PLN](#) [ALUM](#) [CM10](#) [8610-3124-S-26](#) [TS81](#) [7142](#) [GP134](#) [M6125-4007-A-24](#)
[M6127-4007-SS](#) [PBCOVER](#) [512](#) [AEG-4000G](#) [AEG-3000G](#) [HD99](#) [SR2-66A2](#) [FP10B4HP-1](#) [SR16-66A2](#) [FP52-2](#) [1406-1006-01](#) [29478](#)
[TS2535](#) [TS169-6](#) [CAC2](#) [HA19-3U](#) [BR-19-10-1](#) [TS180](#) [CG3-ESD](#) [SC11-1](#) [CFS-1.00/2.20](#) [AX6145WM](#) [HEC0800PB](#) [ZC633R](#)