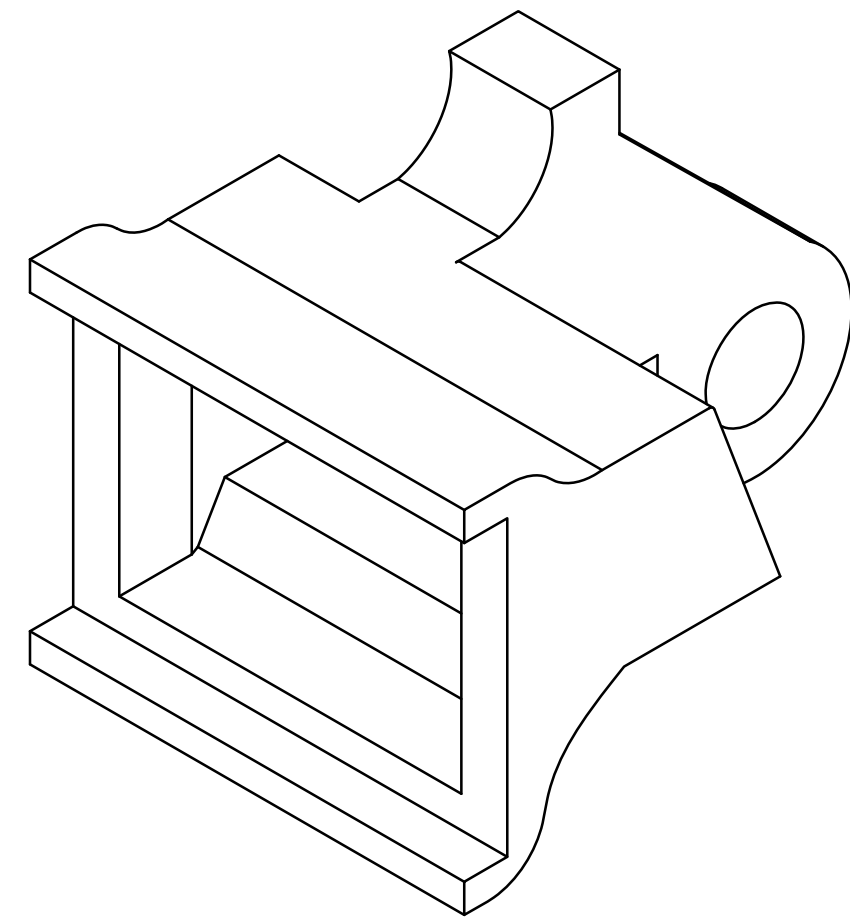
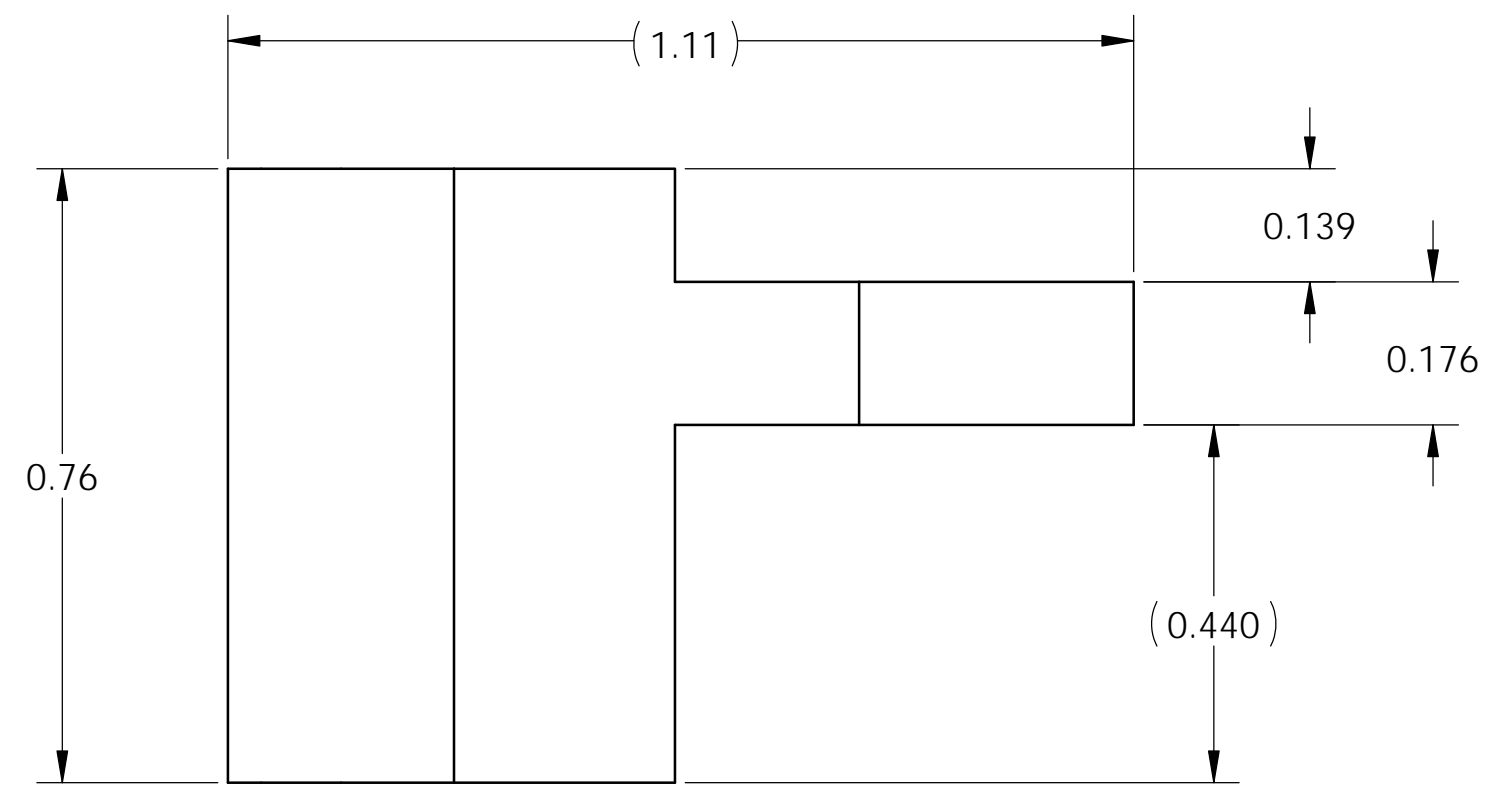
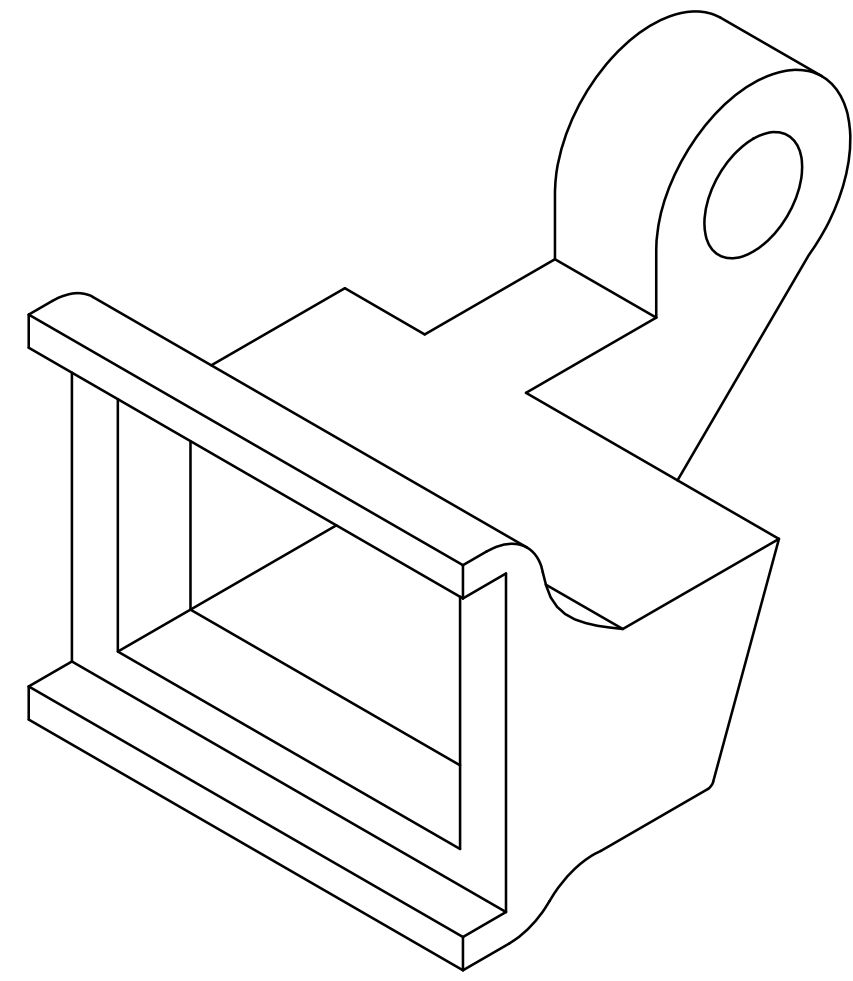
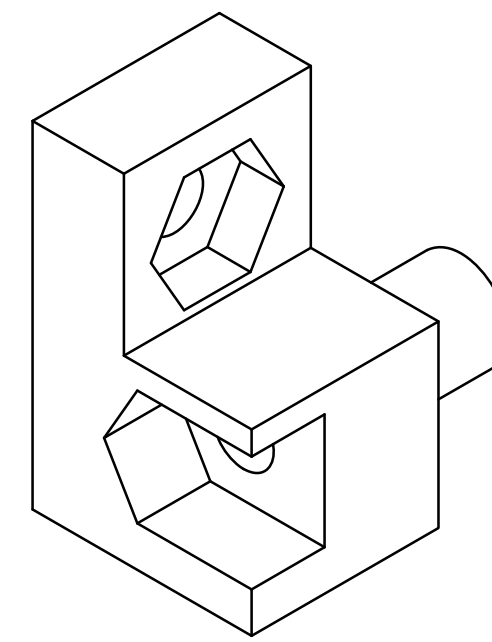


PROPRIETARY AND CONFIDENTIAL
 THE INFORMATION CONTAINED IN THIS DRAWING IS THE SOLE PROPERTY OF
 VECTOR ELECTRONICS & TECHNOLOGY, INC. ANY REPRODUCTION IN PART
 OR AS A WHOLE WITHOUT THE WRITTEN PERMISSION OF VECTOR ELECTRONICS
 & TECHNOLOGY, INC IS PROHIBITED.

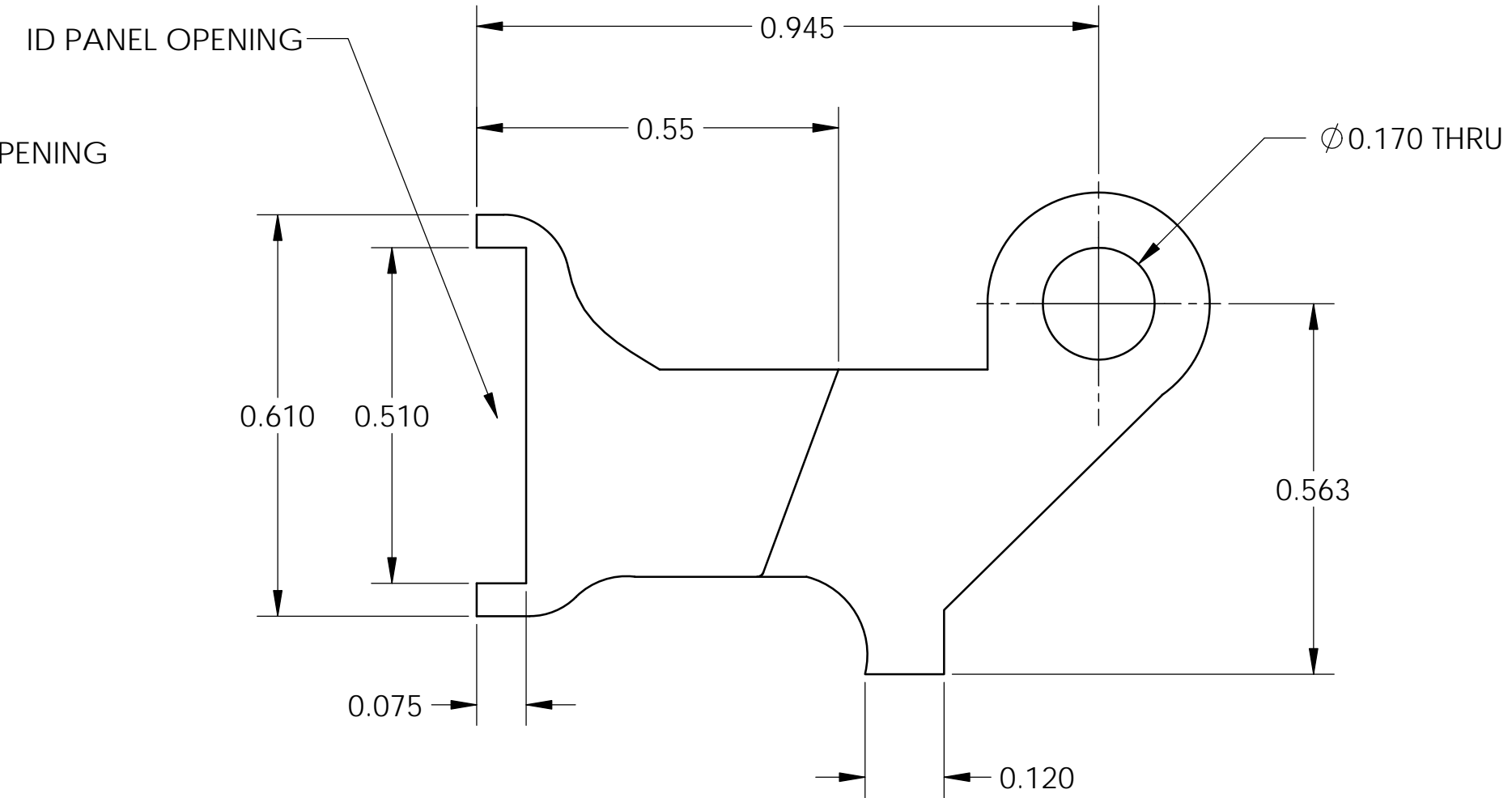
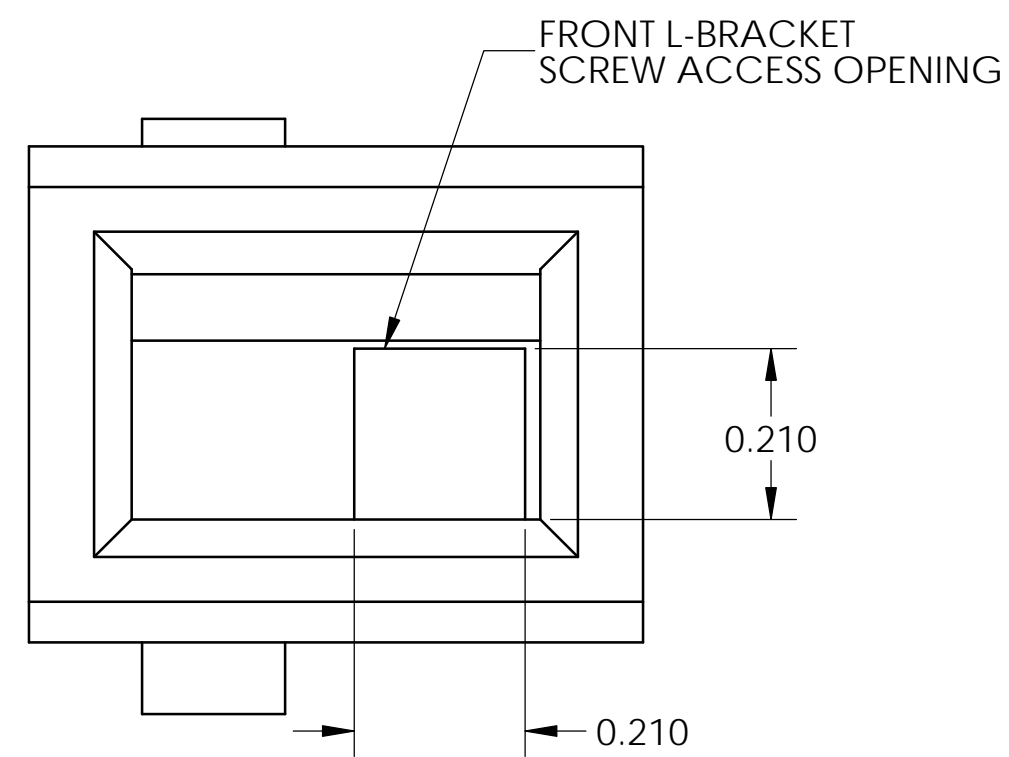
| REVISIONS | | | | |
|-----------|-----|-----------------|----------|----------|
| ZONE | REV | DESCRIPTION | DATE | APPROVED |
| ALL | A | INITIAL RELEASE | 08/31/12 | |



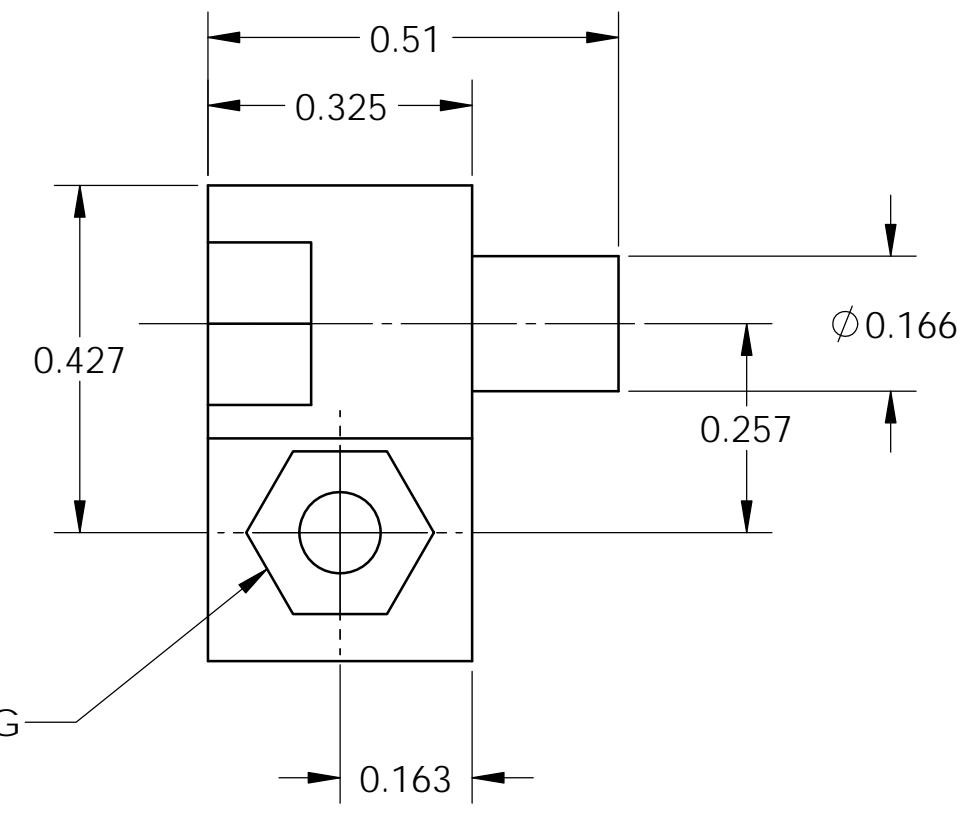
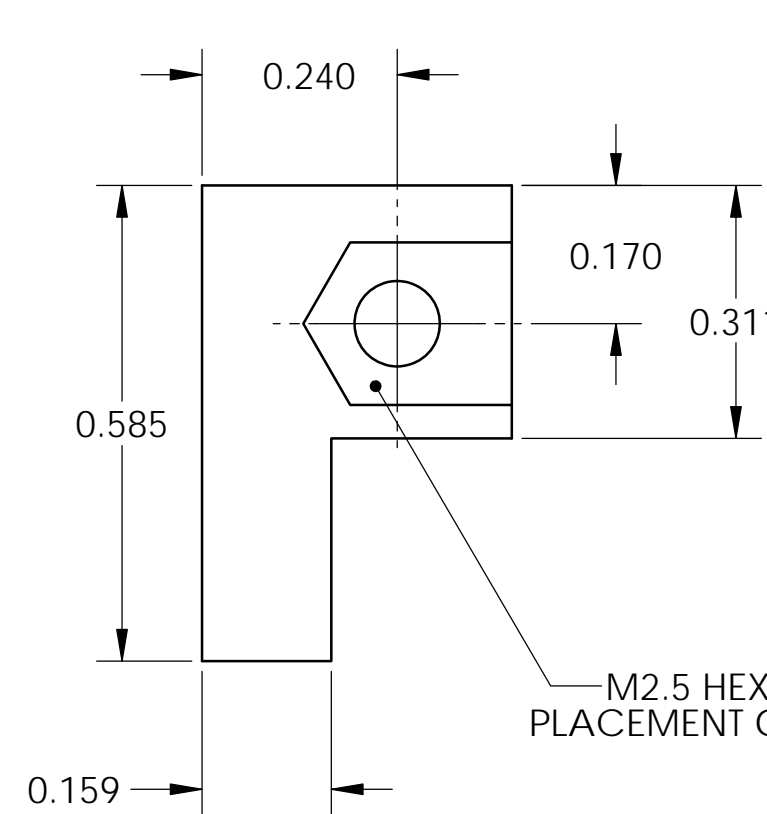
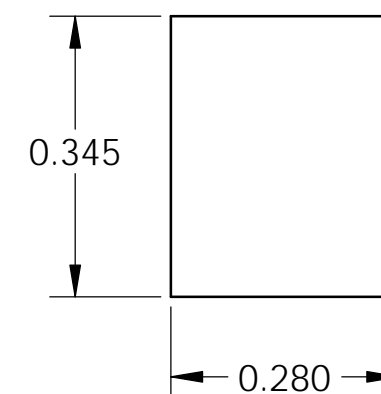
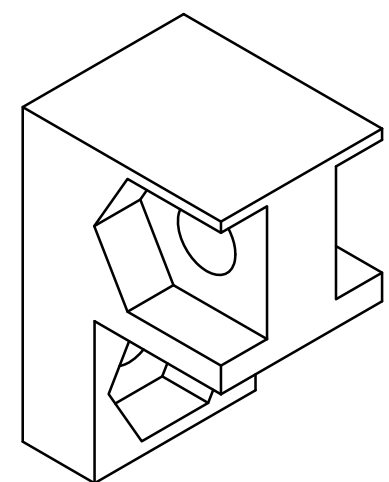
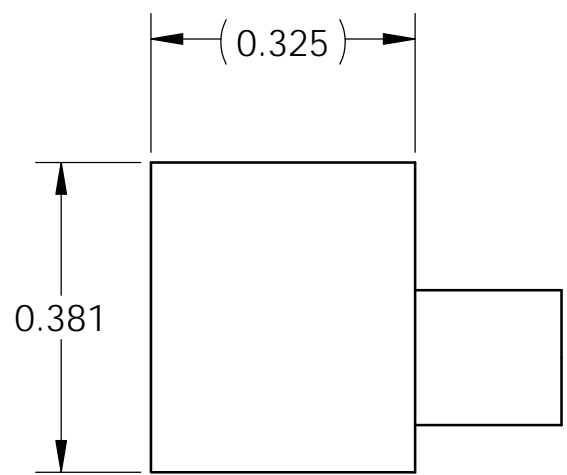
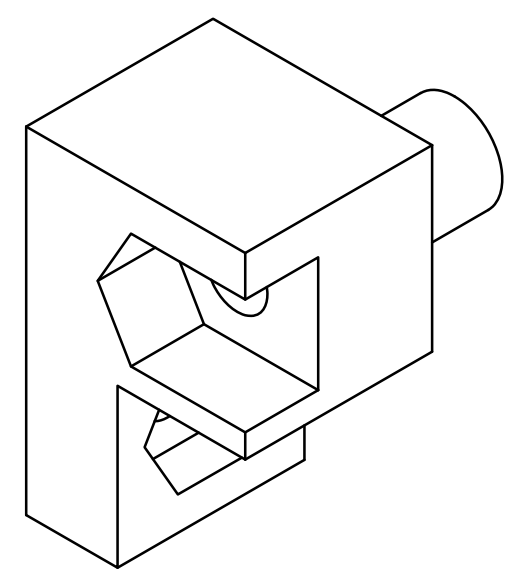
TOP EJECTOR HANDLE DETAIL
 MIRROR VIEW OF BOTTOM HANDLE



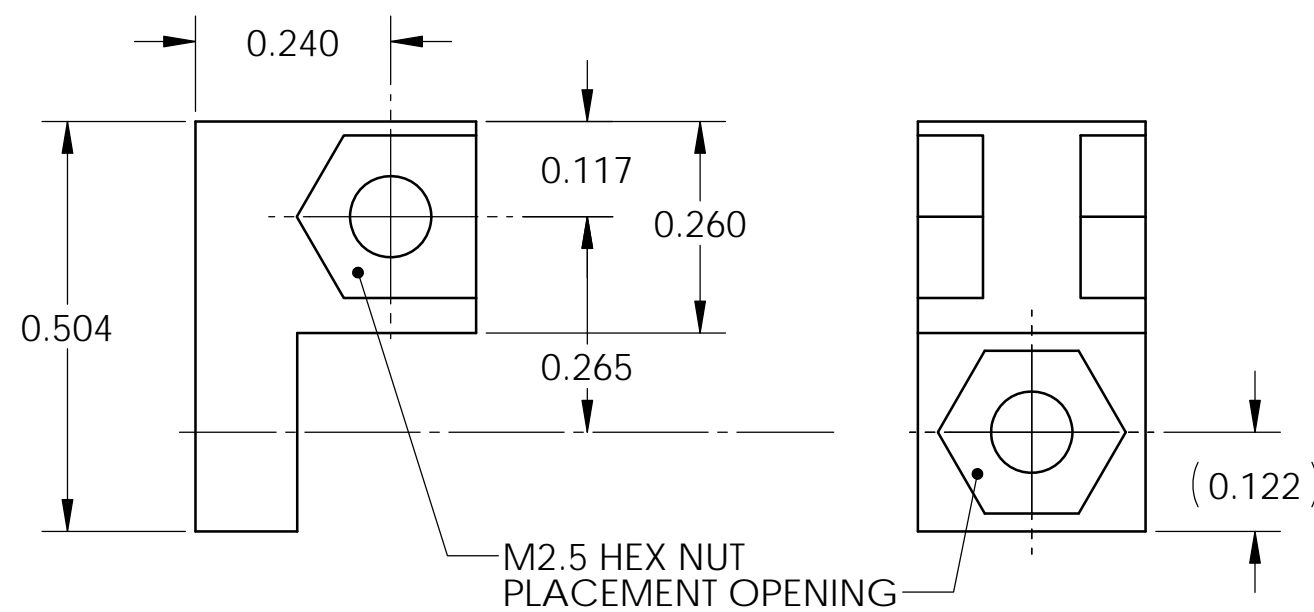
TOP SUPPORT BRACKET DETAIL
 MIRROR VIEW OF BOTTOM BRACKET



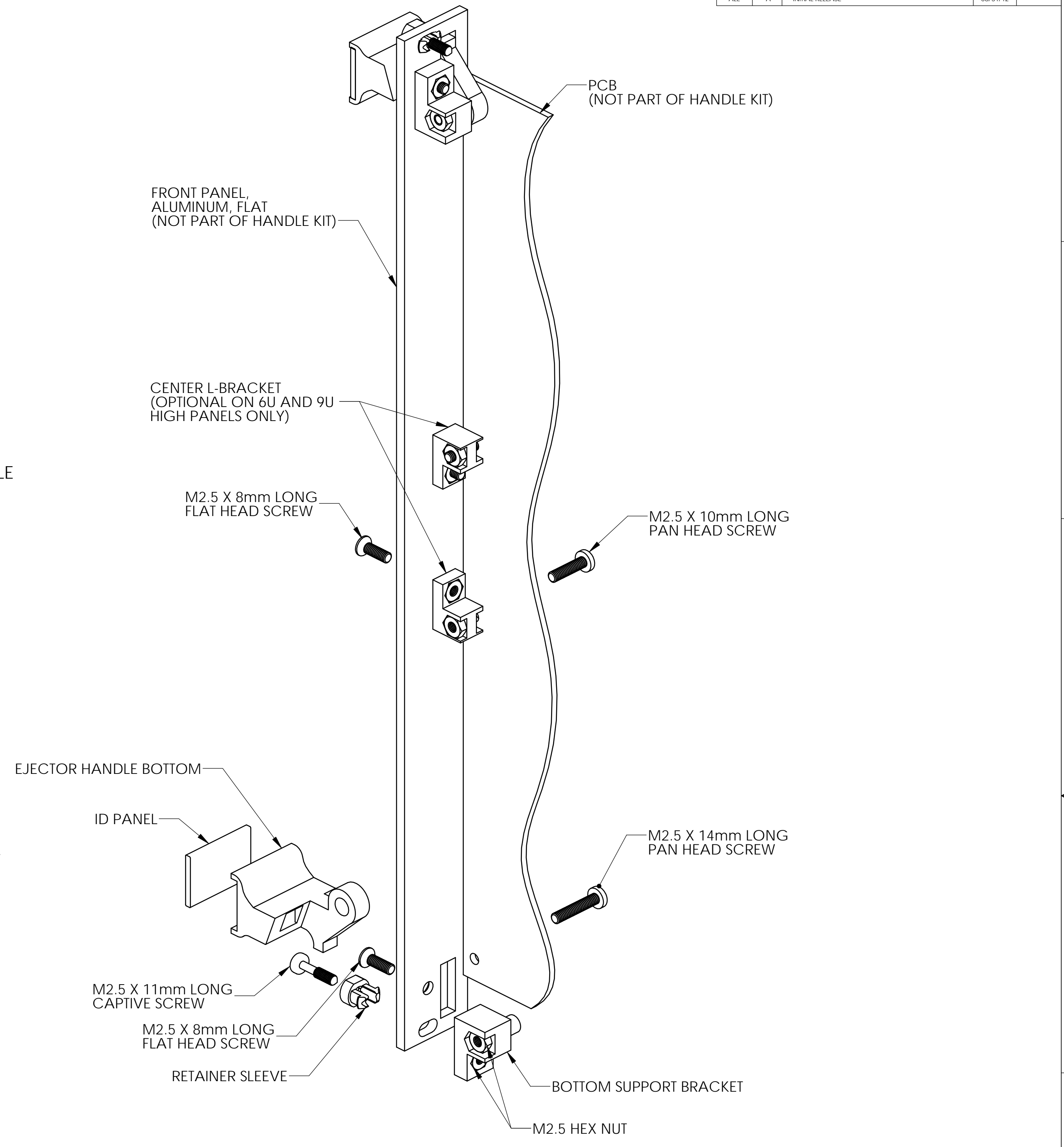
BOTTOM EJECTOR HANDLE DETAIL



BOTTOM SUPPORT BRACKET DETAIL

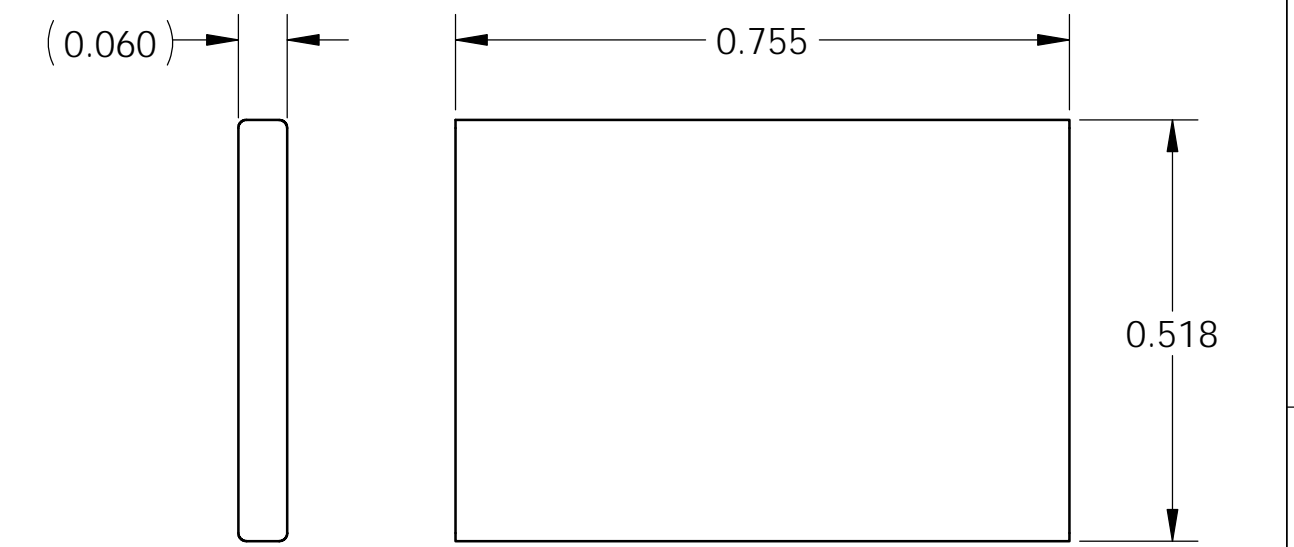


CENTER L-BRACKET DETAIL



CM10 PARTS LIST

| ITEM NO | DESCRIPTION | QTY | U/M |
|---------|---------------------------------|-----|------|
| 1 | EJECTOR HANDLE, BOTTOM | 1 | EACH |
| 2 | EJECTOR HANDLE, TOP | 1 | EACH |
| 3 | SUPPORT BRACKET, BOTTOM | 1 | EACH |
| 4 | SUPPORT BRACKET, TOP | 1 | EACH |
| 5 | ID PANEL | 2 | EACH |
| 6 | CENTER L-BRACKET | 2 | EACH |
| 7 | RETAINER SLEEVE | 2 | EACH |
| 8 | CAPTIVE SCREW, M2.5-0.45X11mm | 2 | EACH |
| 9 | SCREW, FLAT HEAD, M2.5-0.45X8mm | 4 | EACH |
| 10 | SCREW, PAN HEAD, M2.5-0.45X14mm | 2 | EACH |
| 11 | SCREW, PAN HEAD, M2.5-0.45X10mm | 2 | EACH |
| 12 | HEX NUT, M2.5X0.45-6H | 8 | EACH |



ID PANEL DETAIL

| | | | | | |
|---|--------|-----------|---------|--|--|
| UNLESS OTHERWISE SPECIFIED DIMENSIONS ARE IN INCHES TOLERANCES: | | NAME | DATE | VECTOR ELECTRONICS & TECHNOLOGY, INC. www.vectorselect.com | TITLE: YANQIEN SHI NORTH HOLLYWOOD, CA 91355 |
| DEC. X.XX | ±0.1 | DRAWN | TRISHAR | | |
| DEC. X.XXX | ±0.03 | CHECKED | | | |
| DEC. X.XXXX | ±0.010 | ENG APPR. | | | |
| FRACTIONS | ±0.050 | MFG APPR. | | | |
| ANGLES | ±1° | Q.A. | | | |
| THIRD ANGLE PROJECTION | | COMMENTS: | | | |
| MATERIAL | | | | | |
| FRESH | | | | | |

EJECTOR HANDLE, TYPE II, 1101.1

SIZE DWG. NO. REV
D CM10 **A**

SCALE: 4:1 CAGE CODE: 82893 SHEET 1 OF 1

X-ON Electronics

Largest Supplier of Electrical and Electronic Components

Click to view similar products for [Racks & Rack Cabinet Accessories](#) category:

Click to view products by [Vector](#) manufacturer:

Other Similar products are found below :

[M00-PLN](#) [F2424](#) [8351-832-A-24](#) [9104](#) [9105](#) [PLFF2000](#) [H-9163-B](#) [1427C3](#) [HTS10](#) [PC-79](#) [SC10-3A](#) [SC4-28](#) [CG3-340S/12](#) [CP-001BK](#)
[M6123-4007-SS](#) [TS170](#) [LP40](#) [5261304-07](#) [CG3-160G](#) [7112C-PLN](#) [ALUM](#) [CM10](#) [8610-3124-S-26](#) [TS81](#) [7142](#) [GP134](#) [M6125-4007-A-24](#)
[M6127-4007-SS](#) [PBCOVER](#) [512](#) [AEG-4000G](#) [AEG-3000G](#) [HD99](#) [SR2-66A2](#) [FP10B4HP-1](#) [SR16-66A2](#) [FP52-2](#) [1406-1006-01](#) [29478](#)
[TS2535](#) [TS169-6](#) [CAC2](#) [HA19-3U](#) [BR-19-10-1](#) [TS180](#) [CG3-ESD](#) [SC11-1](#) [CFS-1.00/2.20](#) [HEC0800PB](#) [ZC633R](#) [140PLN](#)