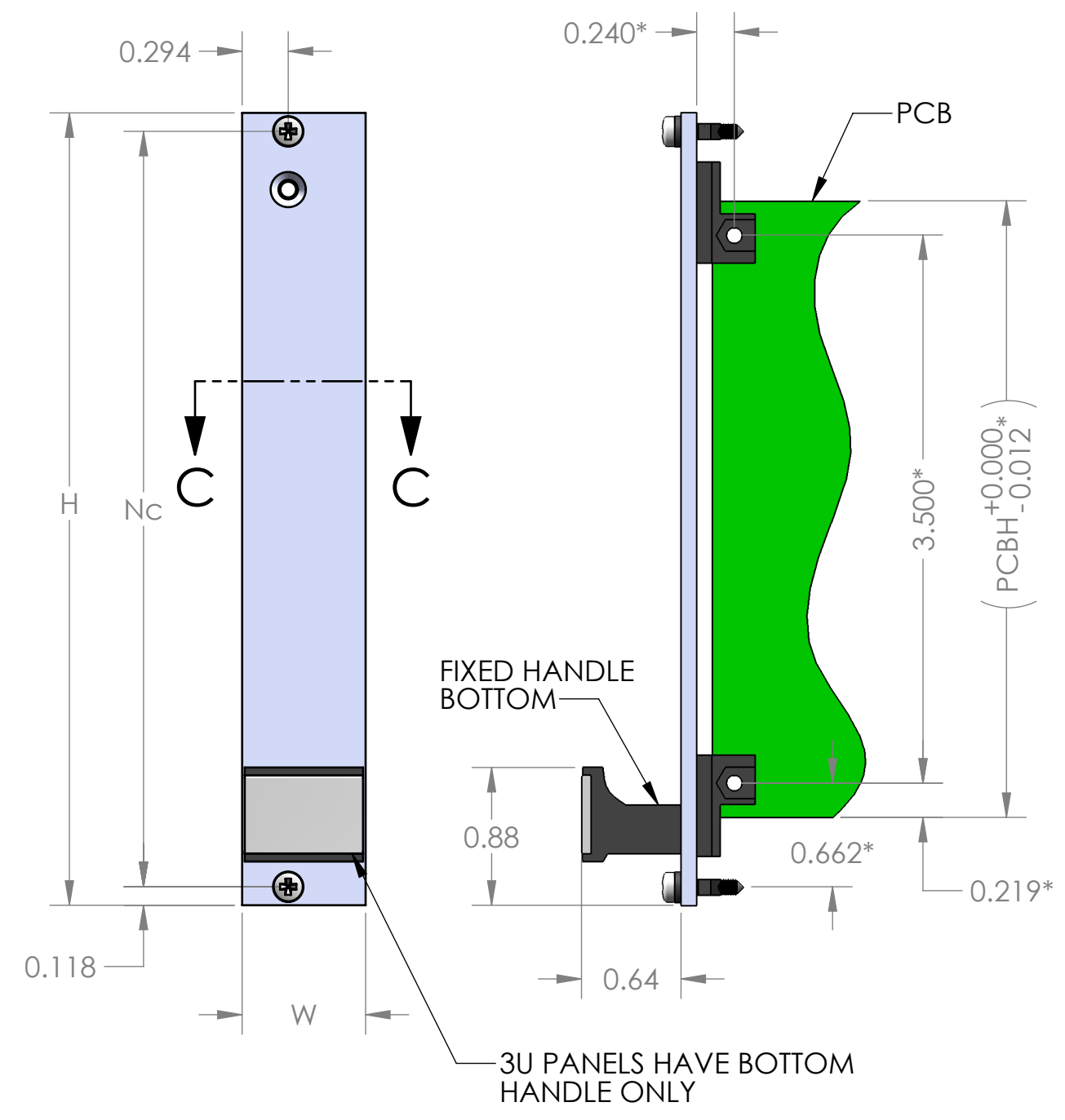


PROPRIETARY AND CONFIDENTIAL
 THE INFORMATION CONTAINED IN THIS DRAWING IS THE SOLE PROPERTY OF
 VECTOR ELECTRONICS & TECHNOLOGY, INC. ANY REPRODUCTION IN PART
 OR AS A WHOLE WITHOUT THE WRITTEN PERMISSION OF VECTOR ELECTRONICS
 & TECHNOLOGY, INC IS PROHIBITED.

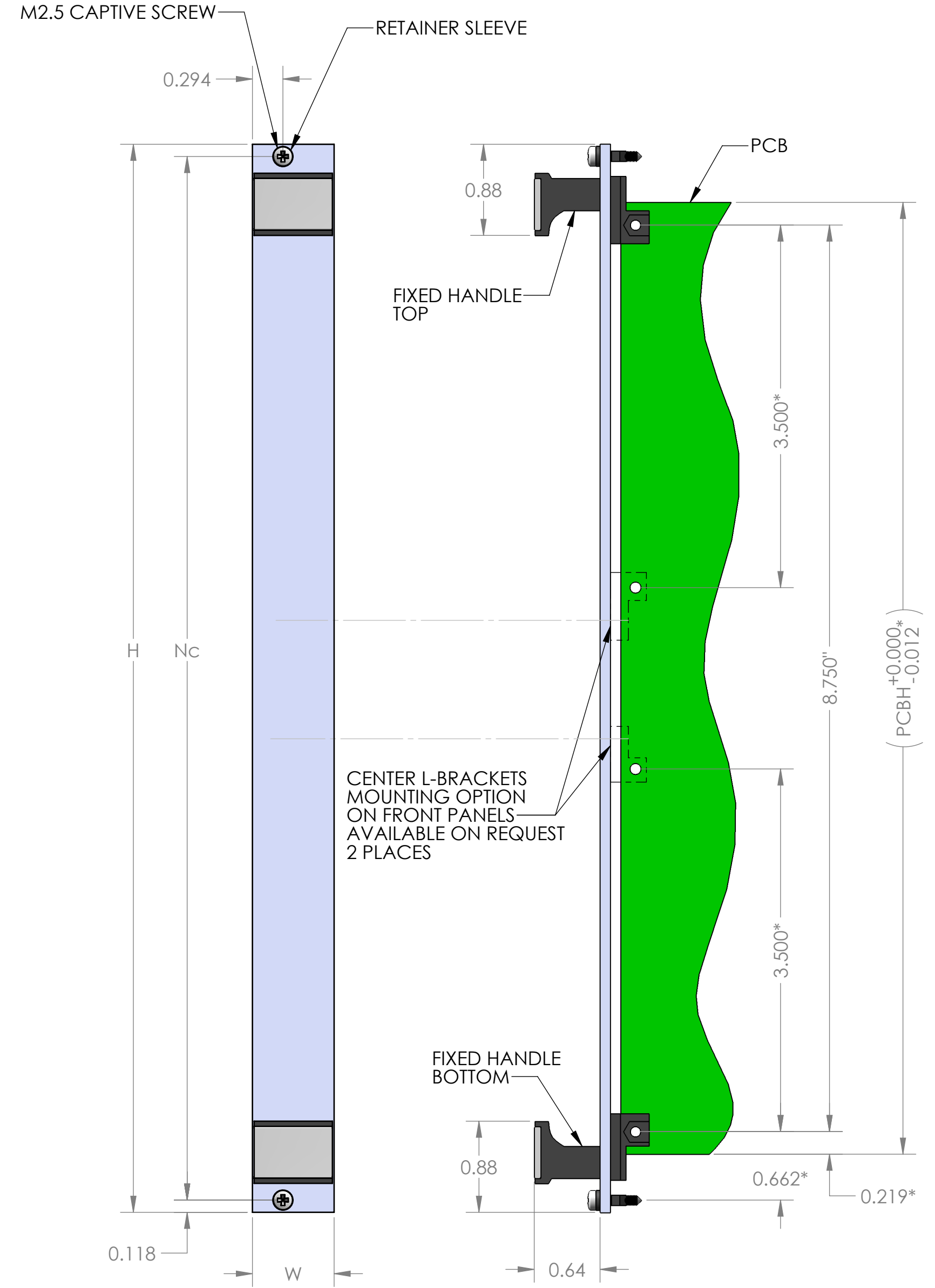
| REVISIONS | | | | |
|-----------|-----|-----------------|----------|----------|
| ZONE | REV | DESCRIPTION | DATE | APPROVED |
| ALL | A | INITIAL RELEASE | 02/14/12 | |

PART NO TABULATION

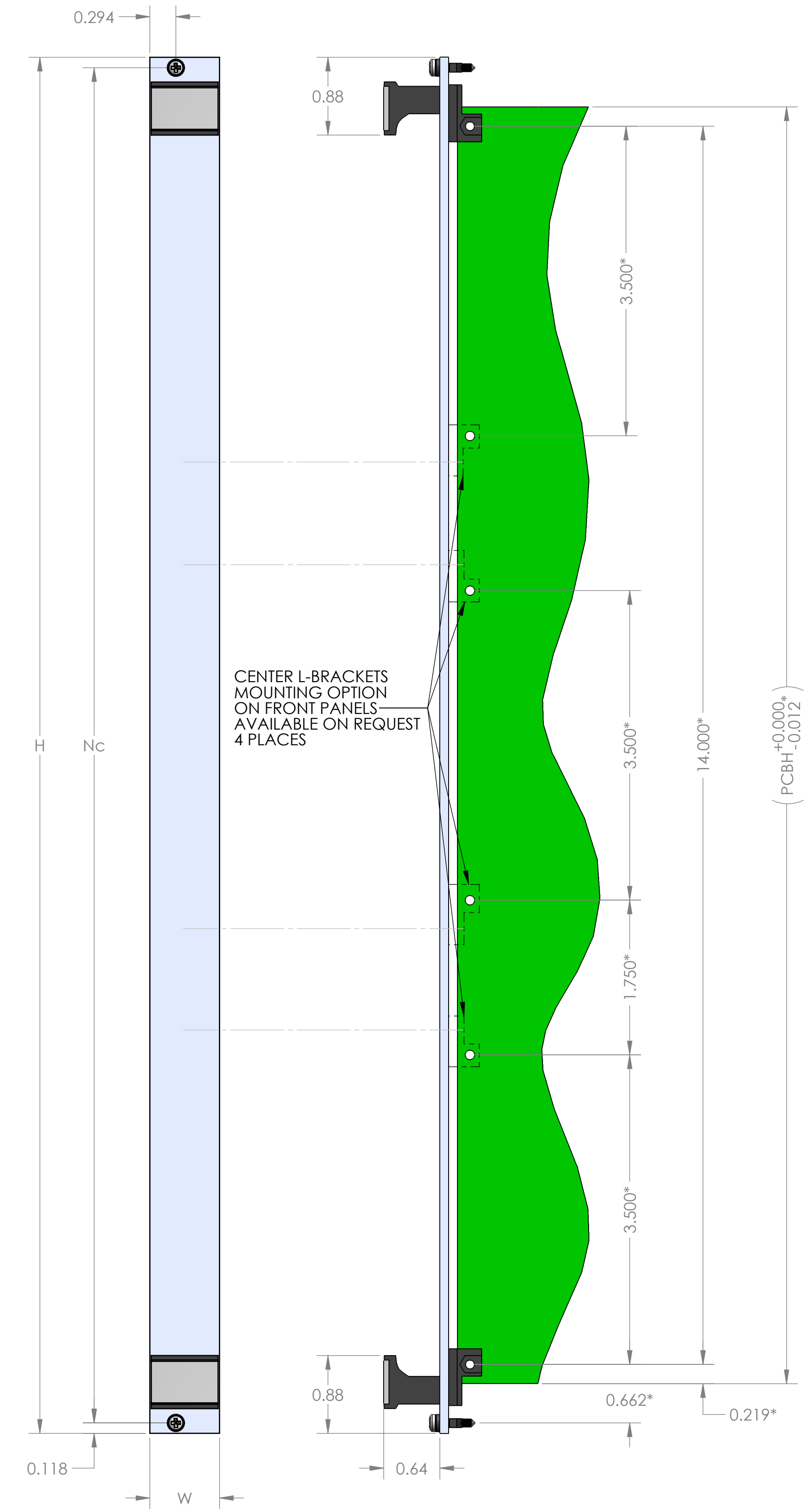
| PART NO | DESCRIPTION | H | W | Nc | PCBH |
|---------|-------------|--------|-------|--------|--------|
| FP04-3U | 3U X 4HP | 5.059 | 0.788 | 4.823 | 3.937 |
| FP08-3U | 3U X 8HP | | 1.588 | | |
| FP12-3U | 3U X 12HP | | 2.388 | | |
| FP04-6U | 6U X 4HP | 10.309 | 0.788 | 10.073 | 9.187 |
| FP08-6U | 6U X 8HP | | 1.588 | | |
| FP12-6U | 6U X 12HP | | 2.388 | | |
| FP04-9U | 9U X 4HP | 15.559 | 0.788 | 15.323 | 14.437 |
| FP08-9U | 9U X 8HP | | 1.588 | | |
| FP12-9U | 9U X 12HP | | 2.388 | | |



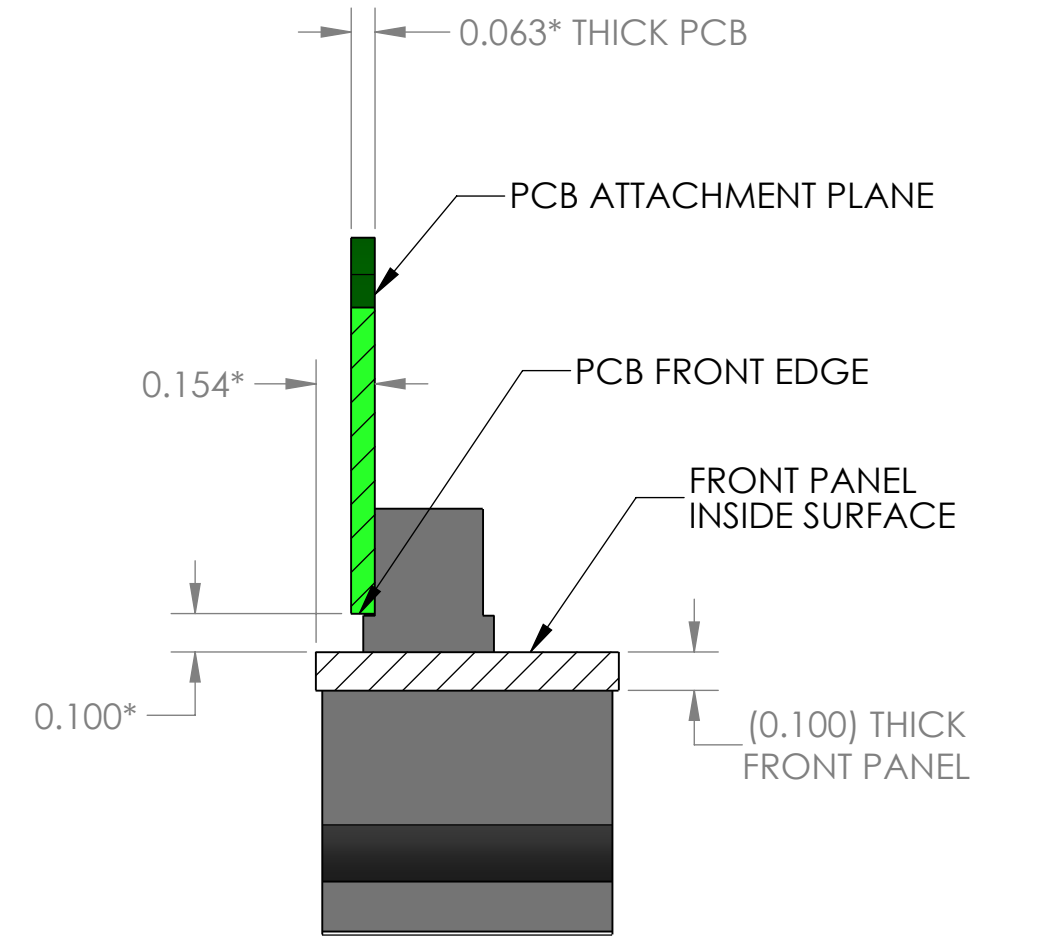
3U HIGH PANEL



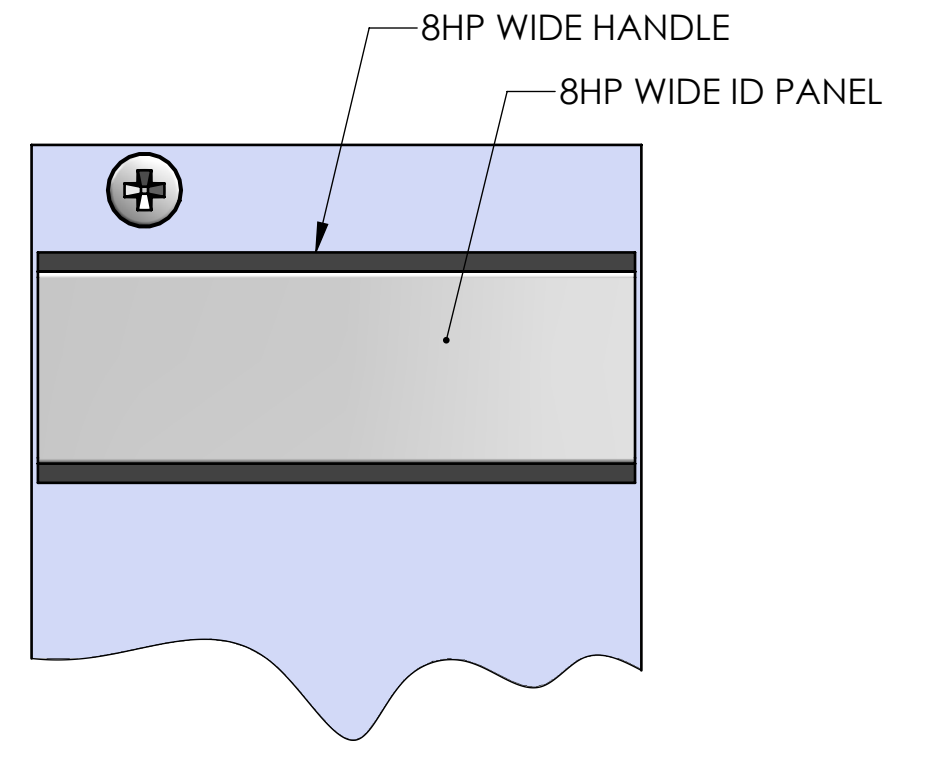
6U HIGH PANEL



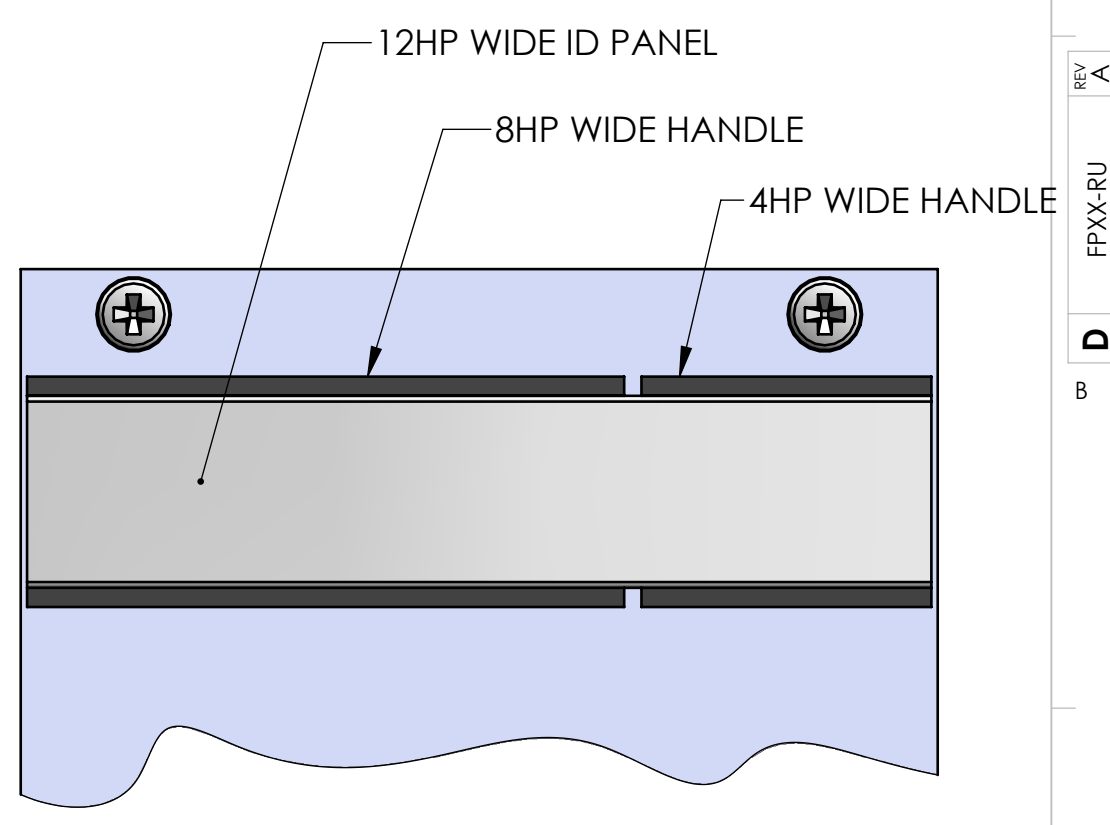
9U HIGH PANEL



**SECTION C-C
 SCALE 2 : 1
 FOR 3U, 6U, AND 9U HIGH,
 4HP, 8HP, AND 12HP PANELS**



8HP WIDE PANEL DETAIL



12HP WIDE PANEL DETAIL

- 5. FURNISHED UNASSEMBLED
 - 4. EACH FRONT PANEL KIT INCLUDES FRONT PANEL, FIXED HANDLES AND PCB ATTACHMENT HARDWARE
 - 3. * INDICATES DIMENSIONS PER IEEE 1101.1
 - 2. PCB SHOWN FOR REFERENCE ONLY. NOT PART OF FRONT PANEL KIT
 - 1. FRONT PANELS ARE SHOWN ASSEMBLED WITH TYPE II EJECTOR HANDLES
- NOTES: UNLESS OTHERWISE SPECIFIED

| | | | | | | | |
|---|--------|-----------|--|---------|--|--|--|
| UNLESS OTHERWISE SPECIFIED: DIMENSIONS ARE IN INCHES | | NAME | | DATE | | VECTOR ELECTRONICS & TECHNOLOGY, INC. 11115 VANOWEN ST., NORTH HOLLYWOOD, CA 91605 | |
| TOLERANCES: | | DRAWN | | TRUSHAR | | 02/14/12 | |
| DEC. X.X | ±0.1 | CHECKED | | | | | |
| DEC. X.XX | ±0.03 | ENG APPR. | | | | | |
| DEC. X.XXX | ±0.010 | MFG APPR. | | | | | |
| FRACTIONS | ±0.000 | G.A. | | | | | |
| ANGLES | ±1° | COMMENTS: | | | | | |
| THIRD ANGLE PROJECTION | | | | | | | |
| MATERIAL | | | | | | | |
| FINISH | | | | | | | |

FRONT PANEL, 1101.1
 FIXED HANDLE, TYPE V,
 NON EMC

SIZE DWG. NO. REV
D FPXX-RU **A**

SCALE: 1:1 CAGE CODE: 82893 SHEET 1 OF 1

X-ON Electronics

Largest Supplier of Electrical and Electronic Components

Click to view similar products for [Racks & Rack Cabinet Accessories](#) category:

Click to view products by [Vector](#) manufacturer:

Other Similar products are found below :

[M00-PLN](#) [F2424](#) [8351-832-A-24](#) [9104](#) [9105](#) [PLFF2000](#) [H-9163-B](#) [1427C3](#) [HTS10](#) [PC-79](#) [SC10-3A](#) [SC4-28](#) [CG3-340S/12](#) [CP-001BK](#)
[M6123-4007-SS](#) [TS170](#) [LP40](#) [5261304-07](#) [CG3-160G](#) [7112C-PLN](#) [ALUM](#) [CM10](#) [8610-3124-S-26](#) [TS81](#) [7142](#) [GP134](#) [M6125-4007-A-24](#)
[M6127-4007-SS](#) [PBCOVER](#) [512](#) [AEG-4000G](#) [AEG-3000G](#) [HD99](#) [SR2-66A2](#) [FP10B4HP-1](#) [SR16-66A2](#) [FP52-2](#) [1406-1006-01](#) [29478](#)
[TS2535](#) [TS169-6](#) [CAC2](#) [HA19-3U](#) [BR-19-10-1](#) [TS180](#) [CG3-ESD](#) [SC11-1](#) [CFS-1.00/2.20](#) [AX6145WM](#) [HEC0800PB](#) [ZC633R](#)