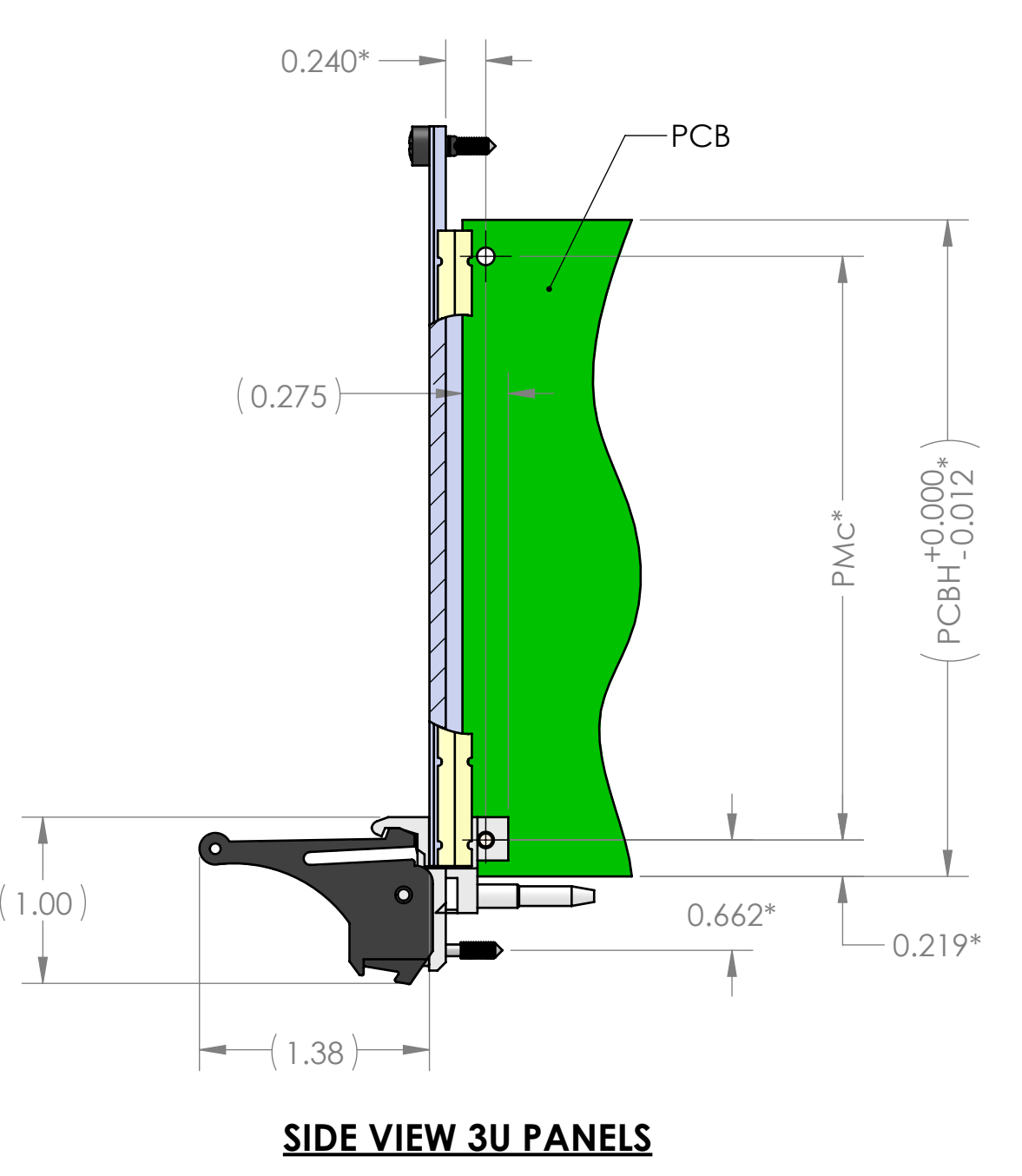
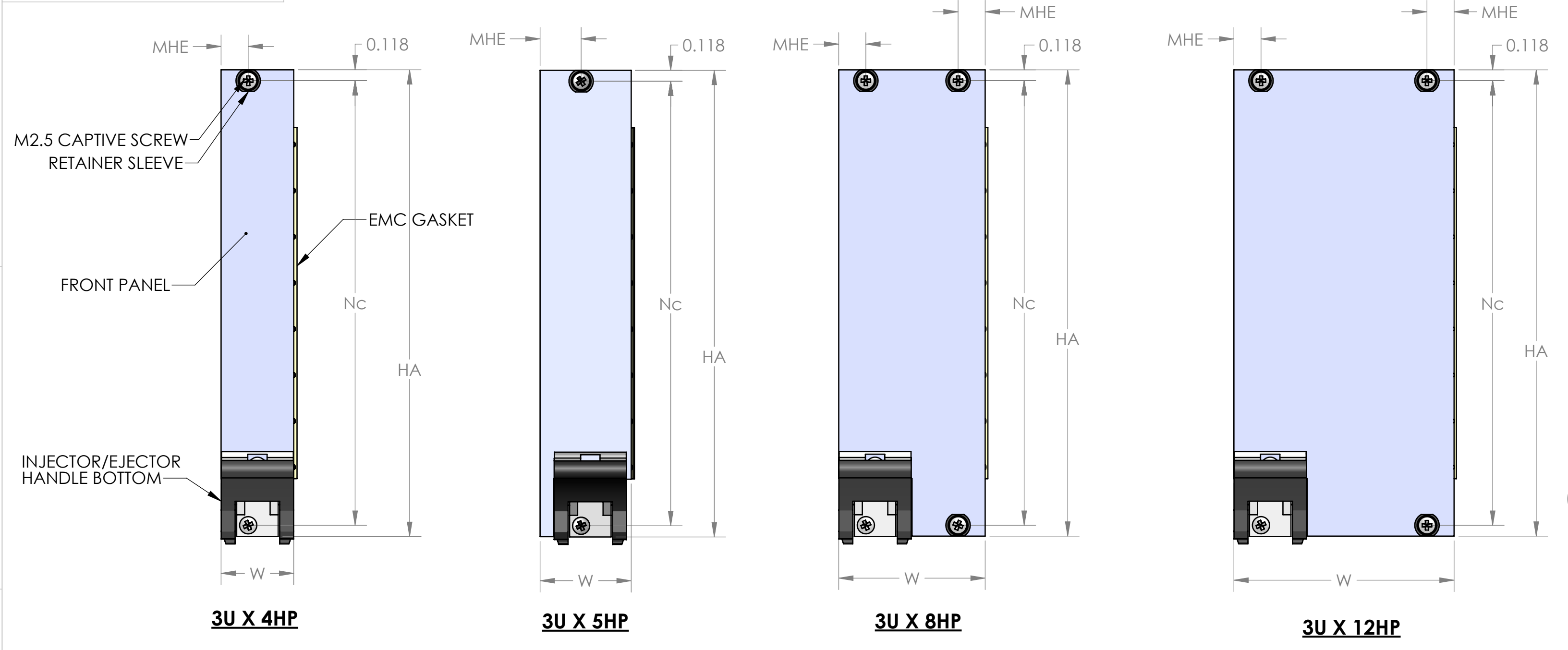


PROPRIETARY AND CONFIDENTIAL
 THE INFORMATION CONTAINED IN THIS DRAWING IS THE SOLE PROPERTY OF VECTOR ELECTRONICS & TECHNOLOGY, INC. ANY REPRODUCTION IN PART OR AS A WHOLE WITHOUT THE WRITTEN PERMISSION OF VECTOR ELECTRONICS & TECHNOLOGY, INC. IS PROHIBITED.

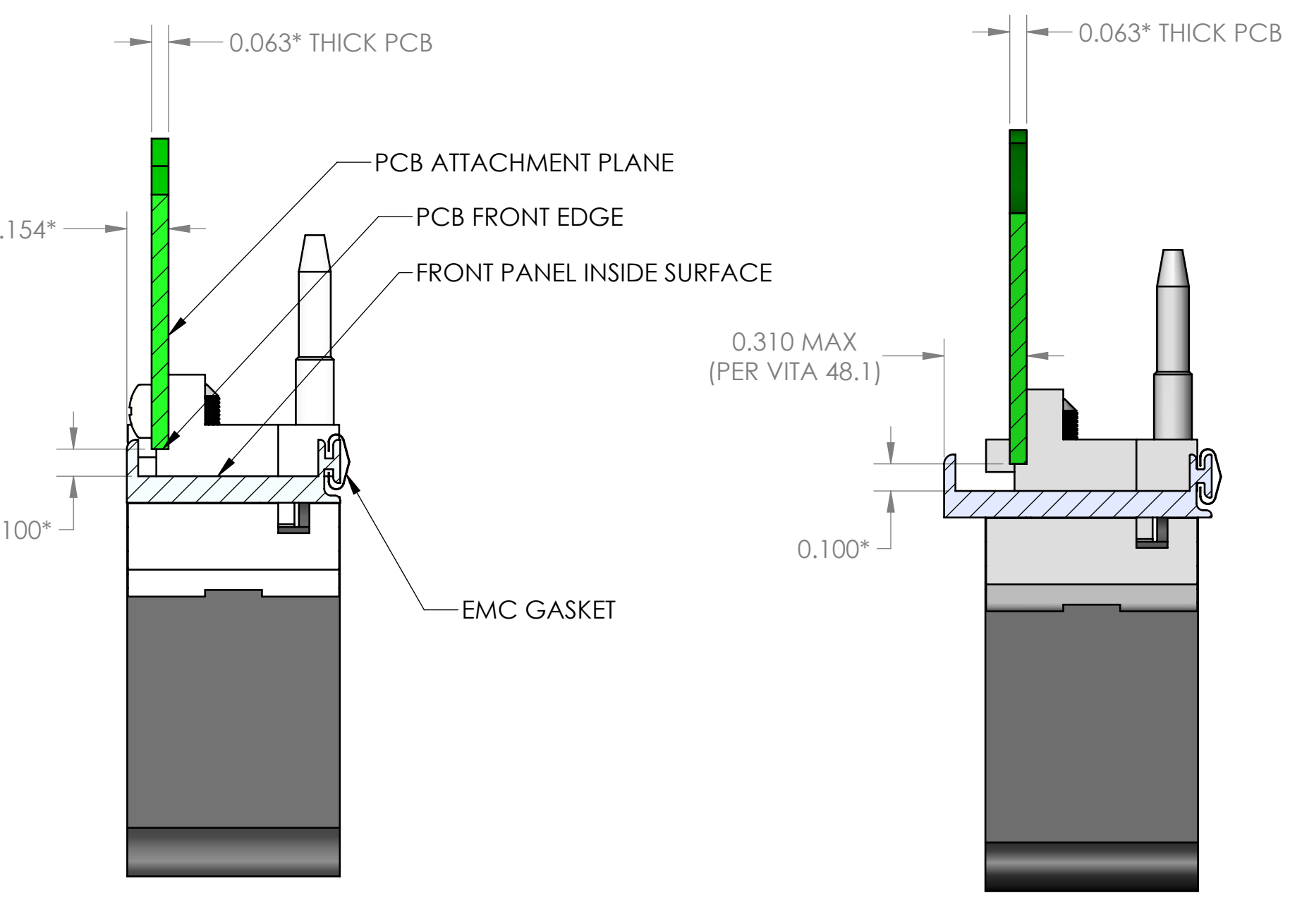
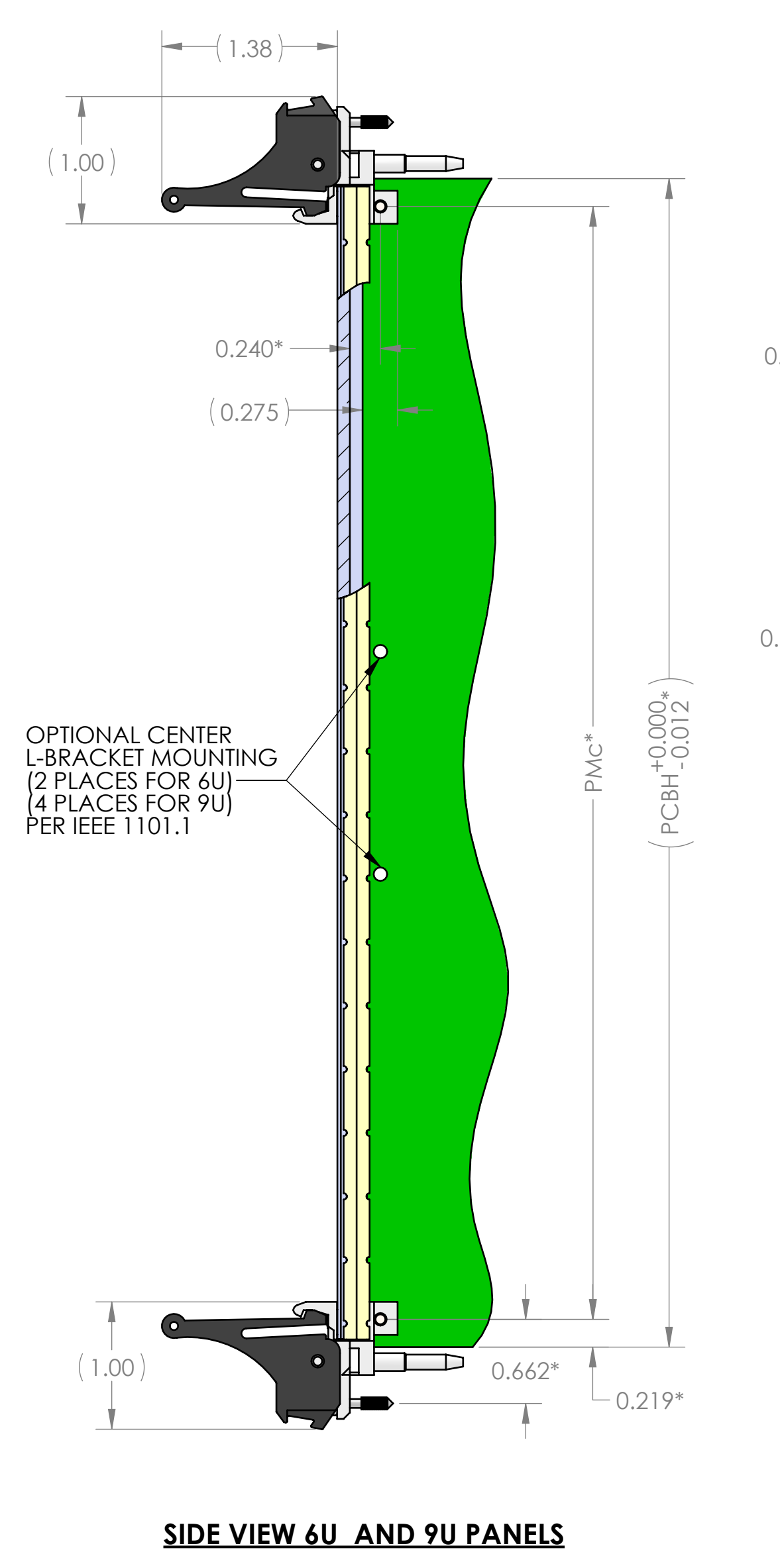
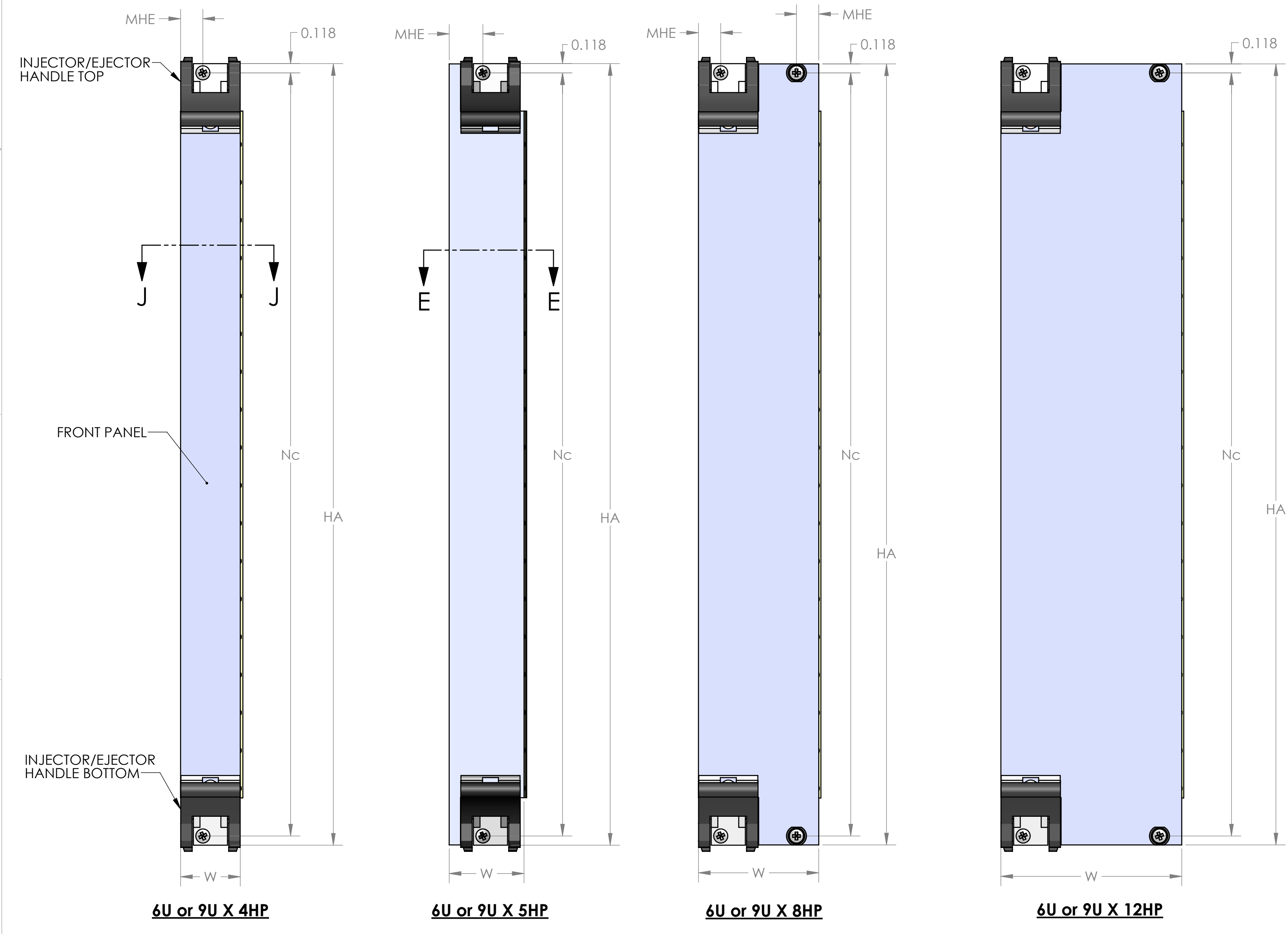
REVISONS		DATE	APPROVED
ZONE	REV	DESCRIPTION	
ALL	A	INITIAL RELEASE	02/23/15
SHEET 2	B	SHEET 2, DIM "A" FOR 3U X 4HP AND 4U OR 9U X 4HP, WAS NOTED AS DIM "H"	04/01/15



- NOTES:
 1. FRONT PANELS ARE SHOWN WITH TYPE IV INJECTOR/EJECTOR HANDLES
 2. TOP/BOTTOM INJECTOR/EJECTOR HANDLES AND PCB SHOWN FOR REFERENCE ONLY. NOT PART OF FRONT PANEL KIT
 3. * INDICATES DIMENSIONS PER IEEE 1101.10
 4. HEIGHT DIM "H" INCLUDES TYPE IV HANDLE'S KEYING BRACKET

DIMENSIONS TABULATION

PART NO	DESCRIPTION	HA	WA	Nc	MHE	PMC	PCBH
FP52B4HP-1	3U X 4HP	5.059	0.788	4.823	0.294	3.500	3.937
FP52B5HP-1	3U X 5HP		0.988		0.445		
FP52B8HP-1	3U X 8HP		1.588		0.294		
FP52B12HP-1	3U X 12HP		2.388		0.294		
FP10B4HP-1	6U X 4HP	10.309	0.788	10.073	0.294	8.750	9.187
FP10B5HP-1	6U X 5HP		0.988		0.445		
FP10B8HP-1	6U X 8HP		1.588		0.294		
FP10B12HP-1	6U X 12HP		2.388		0.294		
FP15B4HP-1	9U X 4HP	15.559	0.788	15.323	0.294	14.000	14.437
FP15B5HP-1	9U X 5HP		0.988		0.445		
FP15B8HP-1	9U X 8HP		1.588		0.294		
FP15B12HP-1	9U X 12HP		2.388		0.294		



SECTION J-J
 FOR 3U, 6U, AND 9U
 4HP, 8HP, 12HP WIDE PANELS
 SCALE 2 : 1

SECTION E-E
 FOR 3U, 6U, AND 9U
 5HP WIDE PANELS
 SCALE 2 : 1

UNLESS OTHERWISE SPECIFIED:
 DIMENSIONS ARE IN INCHES
 TOLERANCES:
 DEC. X.X ±0.1
 DEC. X.XX ±0.03
 DEC. X.XXX ±0.010
 FRACTIONS ±0.050
 ANGLES ±1°

THIRD ANGLE PROJECTION

NAME	DATE
TRISHAR	02/23/15

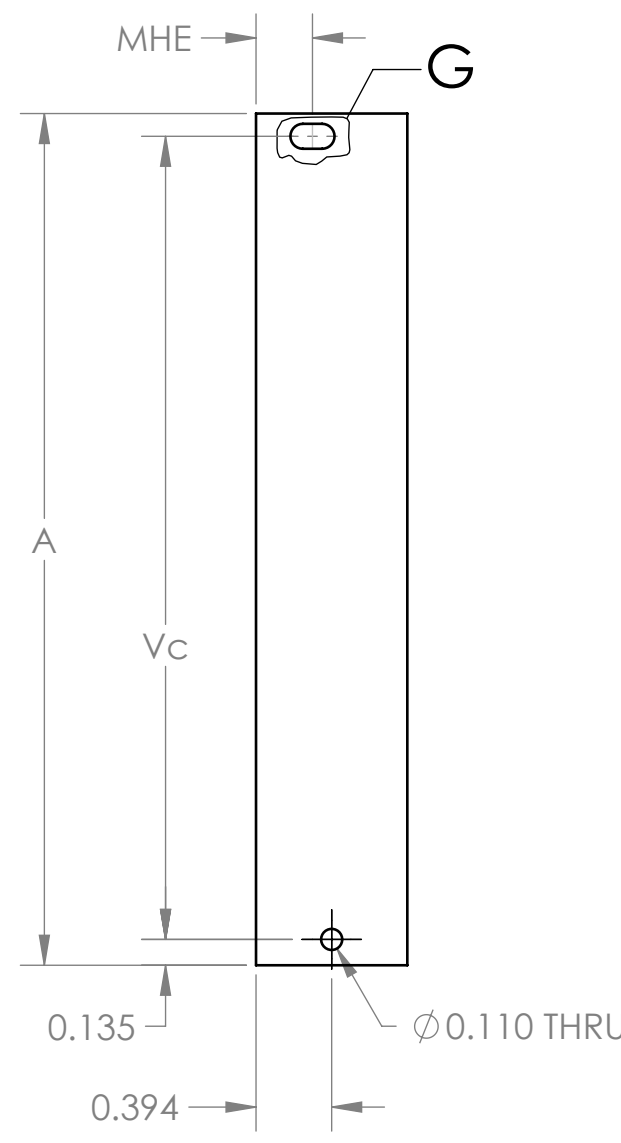
VECTOR ELECTRONICS & TECHNOLOGY, INC. 81115 VANOWEN ST., NORTH HOLLYWOOD, CA 91605

EMC FRONT PANEL, 1101.10

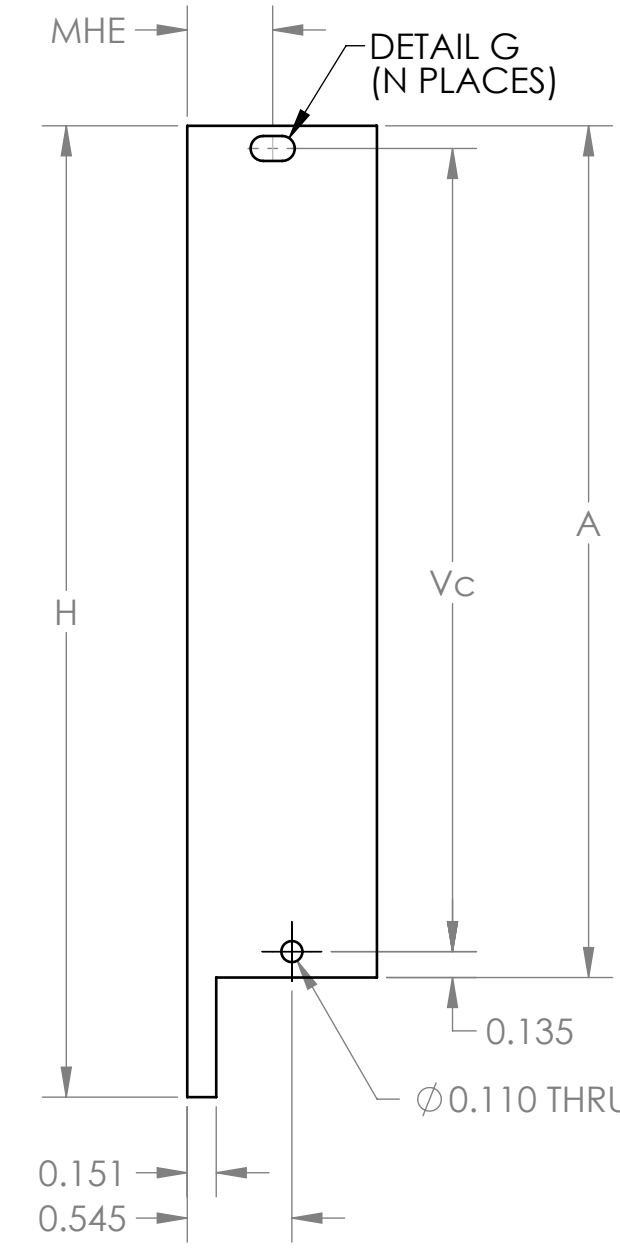
MATERIAL: _____
 FINISH: _____

COMMENTS:

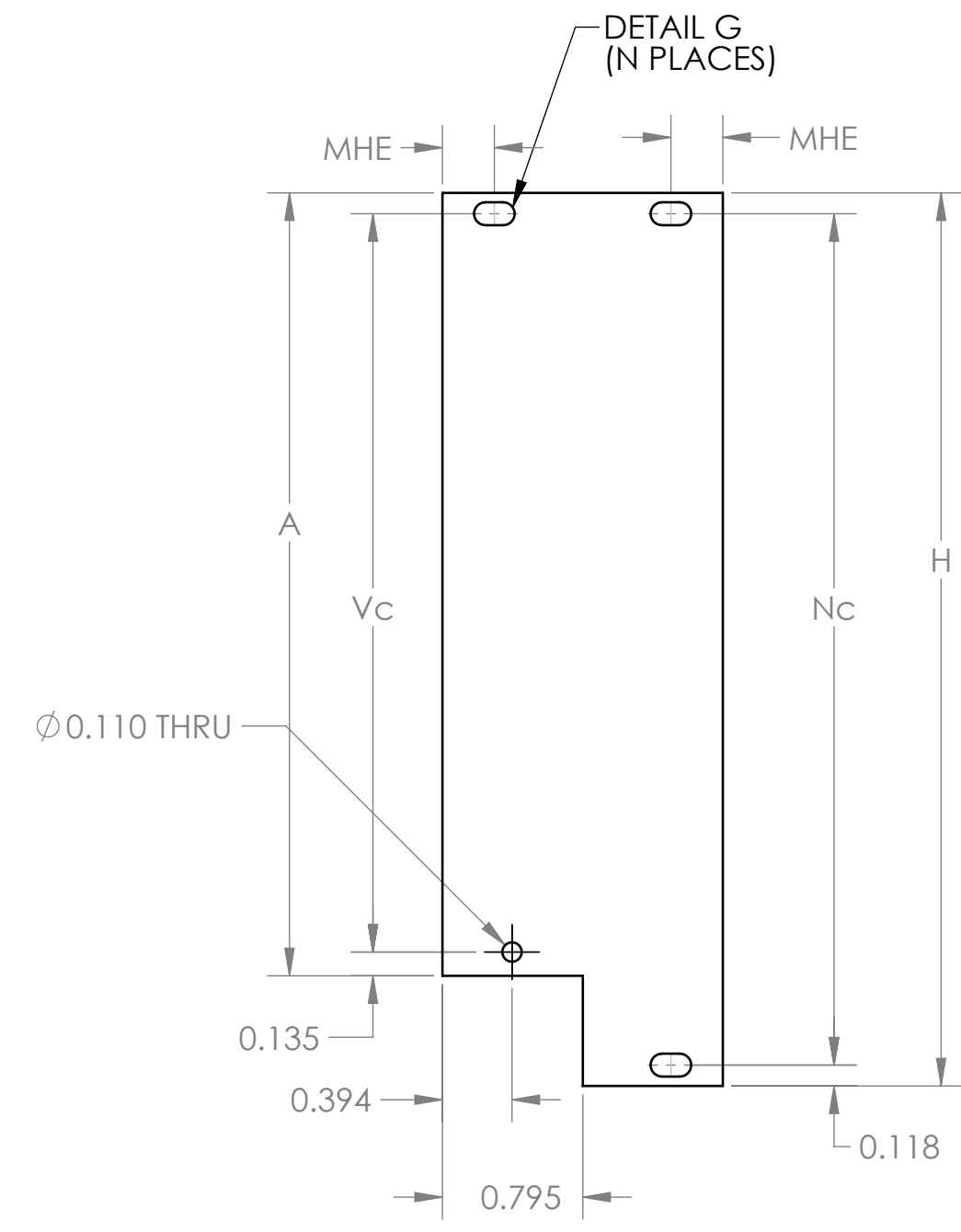
SIZE: **D** DWG. NO.: **FPXXBXHP-1** REV: **B**
 SCALE: 1:1 CAGE CODE: 82893 SHEET 1 OF 2



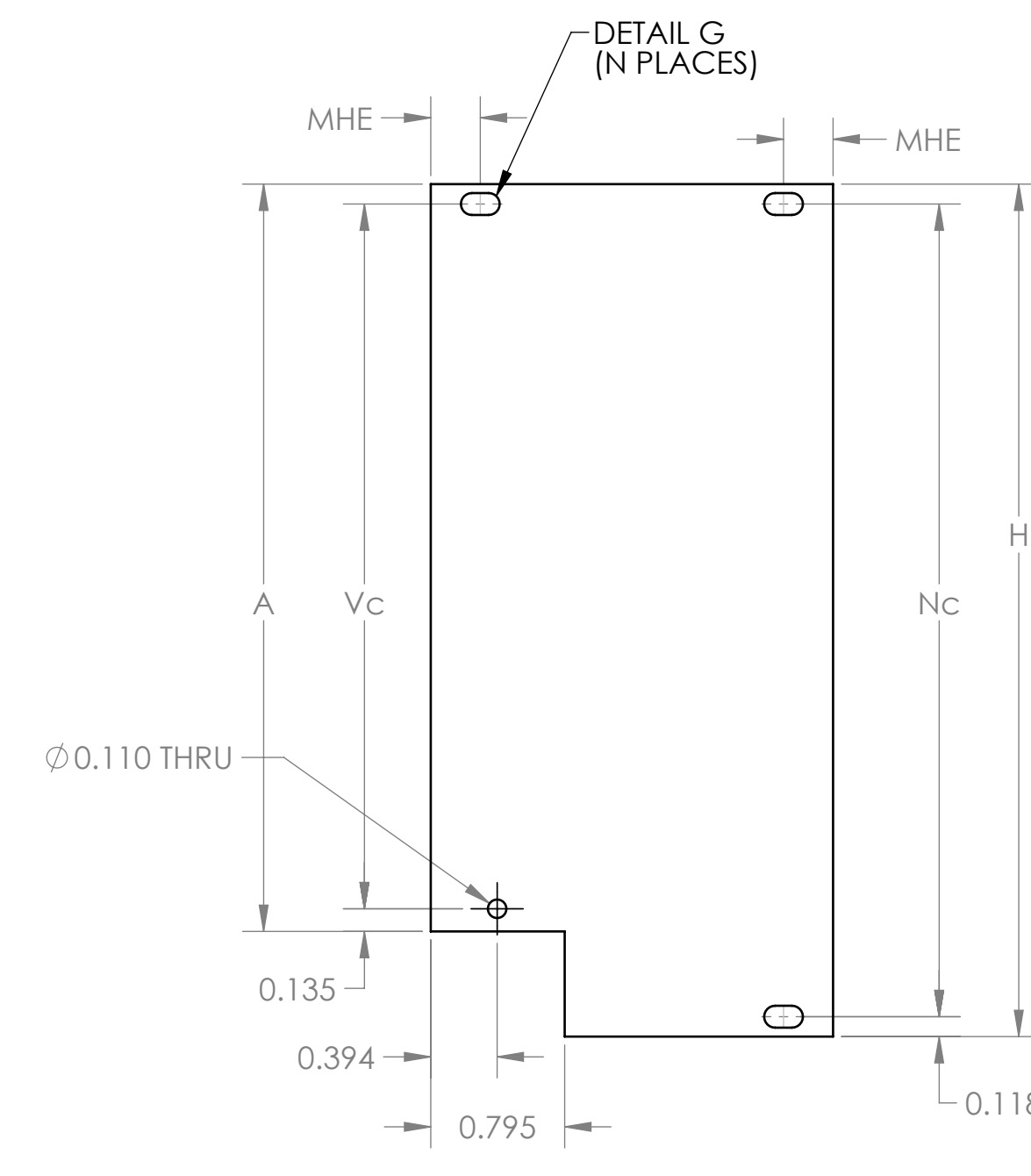
3U X 4HP



3U X 5HP



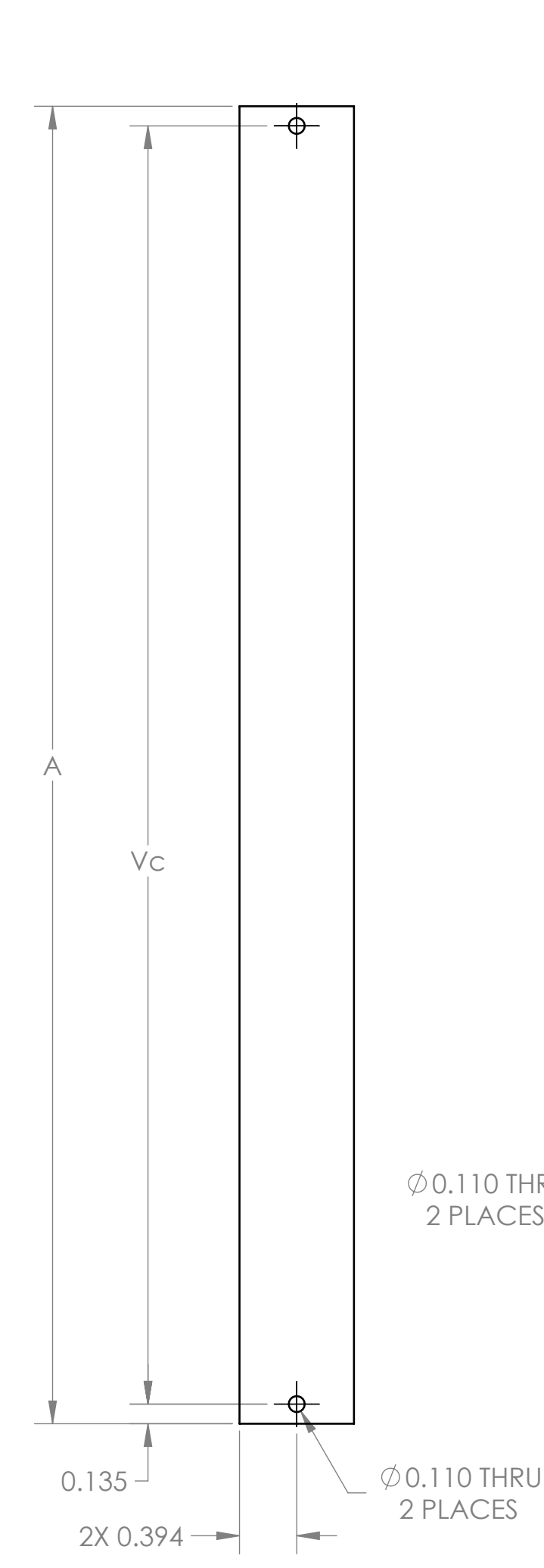
3U X 8HP



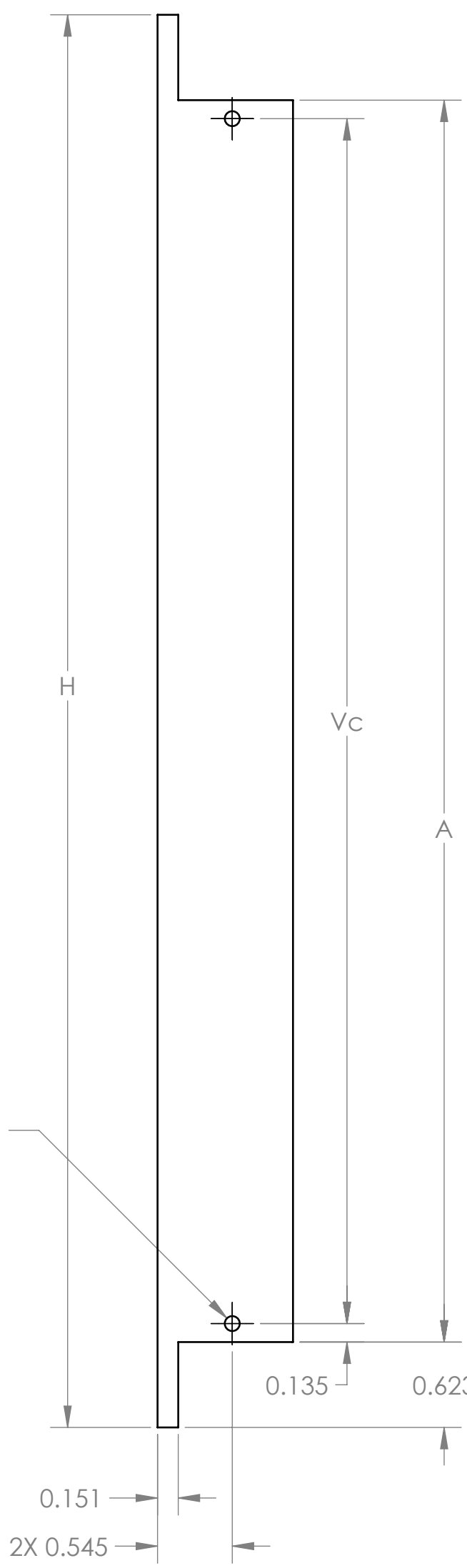
3U X 12HP

- NOTES:
 1. MATERIAL : ALUMINUM EXTRUSION, 6063-T5
 2. FRONT SURFACE GRAINED IN DIRECTION OF MATERIAL GRAIN
 3. FINISH : CLEAR CHEM FILM, MIL-C-5541, CLASS 3

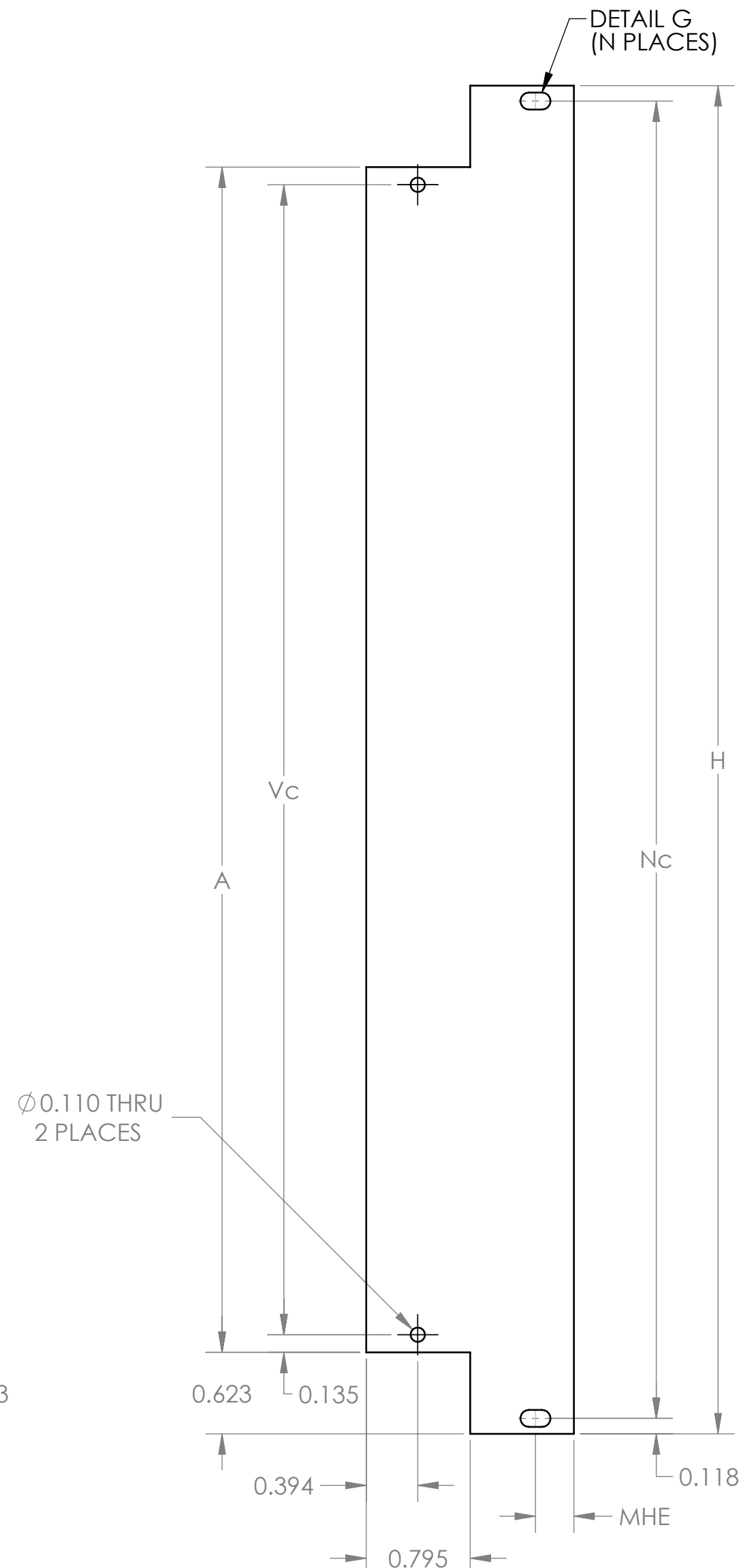
DIMENSIONS TABULATION								
PART NO	DESCRIPTION	H	W	MHE	Nc	Vc	A	PLACES N
FP52B4HP-1	3U X 4HP	-	0.788	0.294	-	4.183	4.436	1
FP52B5HP-1	3U X 5HP	5.059	0.988	0.445	-			1
FP52B8HP-1	3U X 8HP		1.588	0.294	4.823			3
FP52B12HP-1	3U X 12HP		2.388	0.294	4.823	3		
FP10B4HP-1	6U X 4HP	-	0.788	-	-	8.793	9.063	-
FP10B5HP-1	6U X 5HP	10.309	0.988	-	-			-
FP10B8HP-1	6U X 8HP		1.588	0.294	10.073			2
FP10B12HP-1	6U X 12HP		2.388	0.294	10.073	2		
FP15B4HP-1	9U X 4HP	-	0.788	-	-	14.043	14.313	-
FP15B5HP-1	9U X 5HP	15.559	0.988	-	-			-
FP15B8HP-1	9U X 8HP		1.588	0.294	15.323			2
FP15B12HP-1	9U X 12HP		2.388	0.294	15.323			2



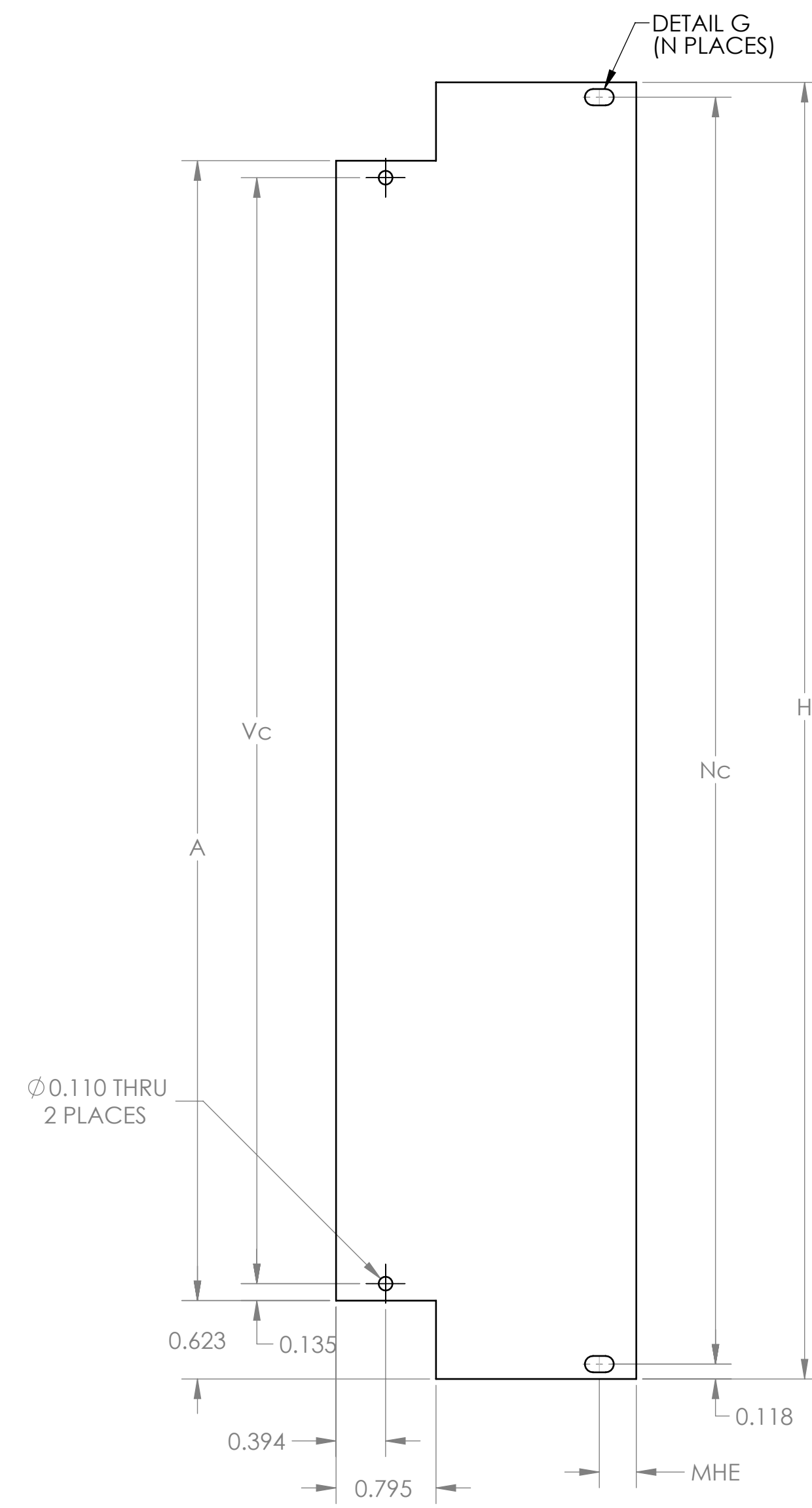
6U or 9U X 4HP



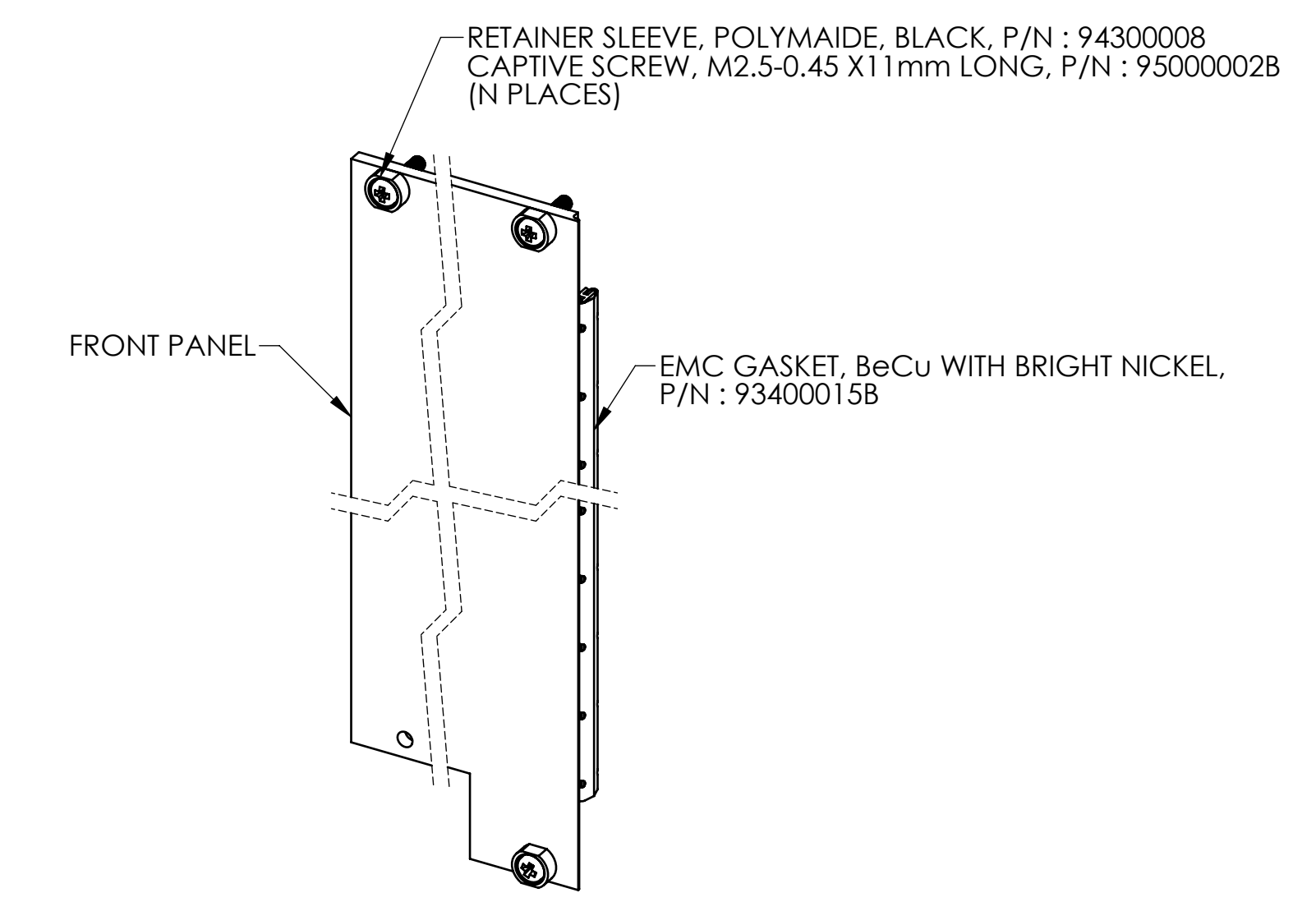
6U or 9U X 5HP



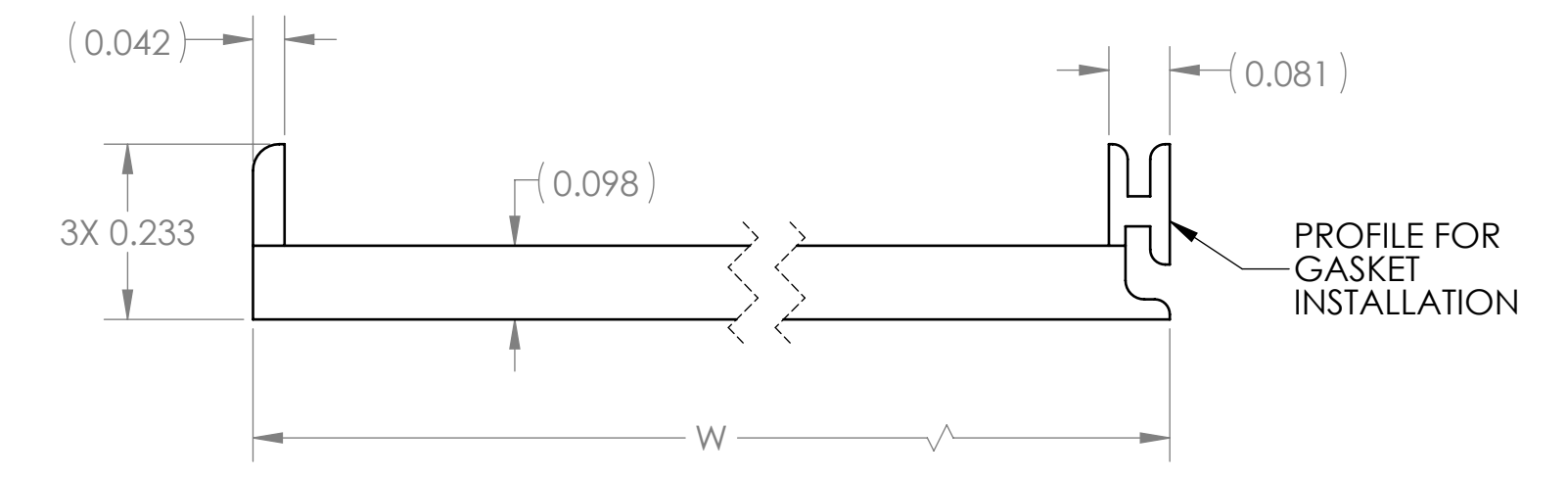
6U or 9U X 8HP



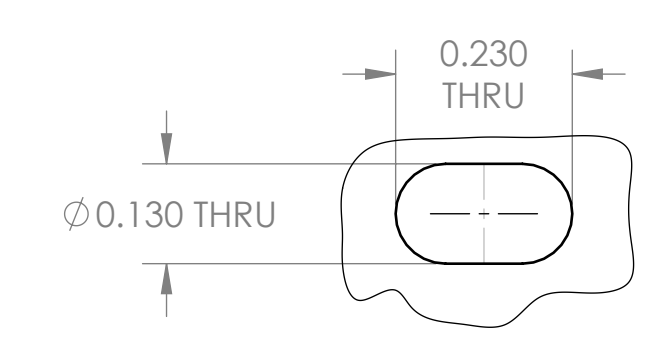
6U or 9U X 12HP



FPXXAXHP-1 FRONT PANEL ASSY



PANEL PROFILE DETAIL



**DETAIL G
SCALE 4 : 1**

VECTOR 11115 VANOWEN ST.
 NORTH HOLLYWOOD, CA 91605
 ELECTRONICS & TECHNOLOGY, INC. www.vectorsect.com

EMC FRONT PANEL, 1101.10

SIZE	DWG. NO.	REV
D	FPXXBXHP-1	B

SCALE: 1:1 | CAGE CODE: 82893 | SHEET 2 OF 2

X-ON Electronics

Largest Supplier of Electrical and Electronic Components

Click to view similar products for [Racks & Rack Cabinet Accessories](#) category:

Click to view products by [Vector](#) manufacturer:

Other Similar products are found below :

[M00-PLN](#) [F2424](#) [8351-832-A-24](#) [9104](#) [9105](#) [PLFF2000](#) [H-9163-B](#) [1427C3](#) [HTS10](#) [PC-79](#) [SC10-3A](#) [SC4-28](#) [CG3-340S/12](#) [CP-001BK](#)
[M6123-4007-SS](#) [TS170](#) [LP40](#) [5261304-07](#) [CG3-160G](#) [7112C-PLN](#) [ALUM](#) [CM10](#) [8610-3124-S-26](#) [TS81](#) [7142](#) [GP134](#) [M6125-4007-A-24](#)
[M6127-4007-SS](#) [PBCOVER](#) [512](#) [AEG-4000G](#) [AEG-3000G](#) [HD99](#) [SR2-66A2](#) [FP10B4HP-1](#) [SR16-66A2](#) [FP52-2](#) [1406-1006-01](#) [29478](#)
[TS2535](#) [TS169-6](#) [CAC2](#) [HA19-3U](#) [BR-19-10-1](#) [TS180](#) [CG3-ESD](#) [SC11-1](#) [CFS-1.00/2.20](#) [AX6145WM](#) [HEC0800PB](#) [ZC633R](#)