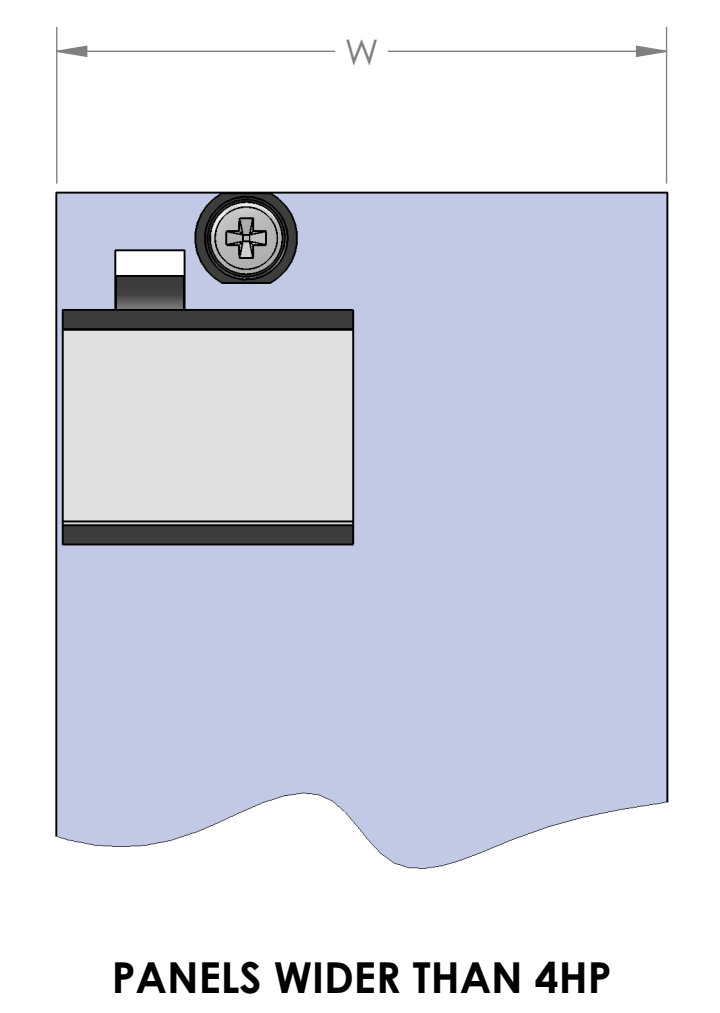
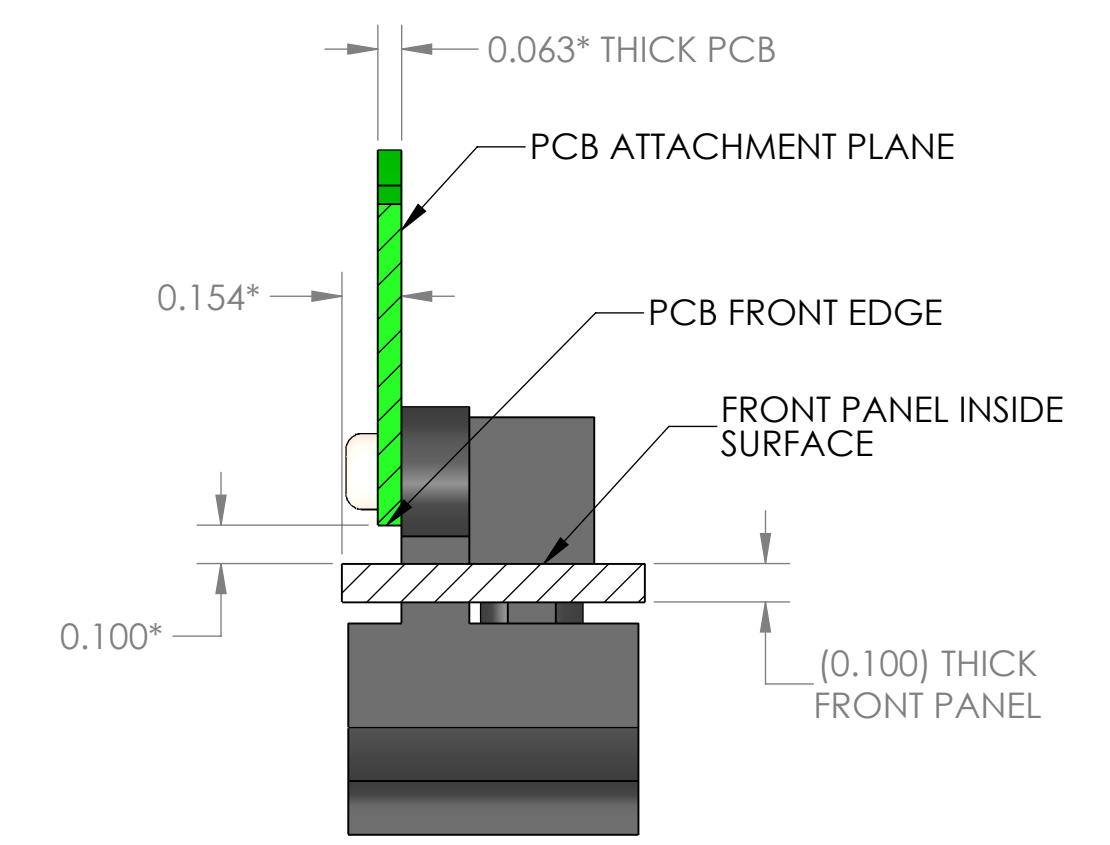
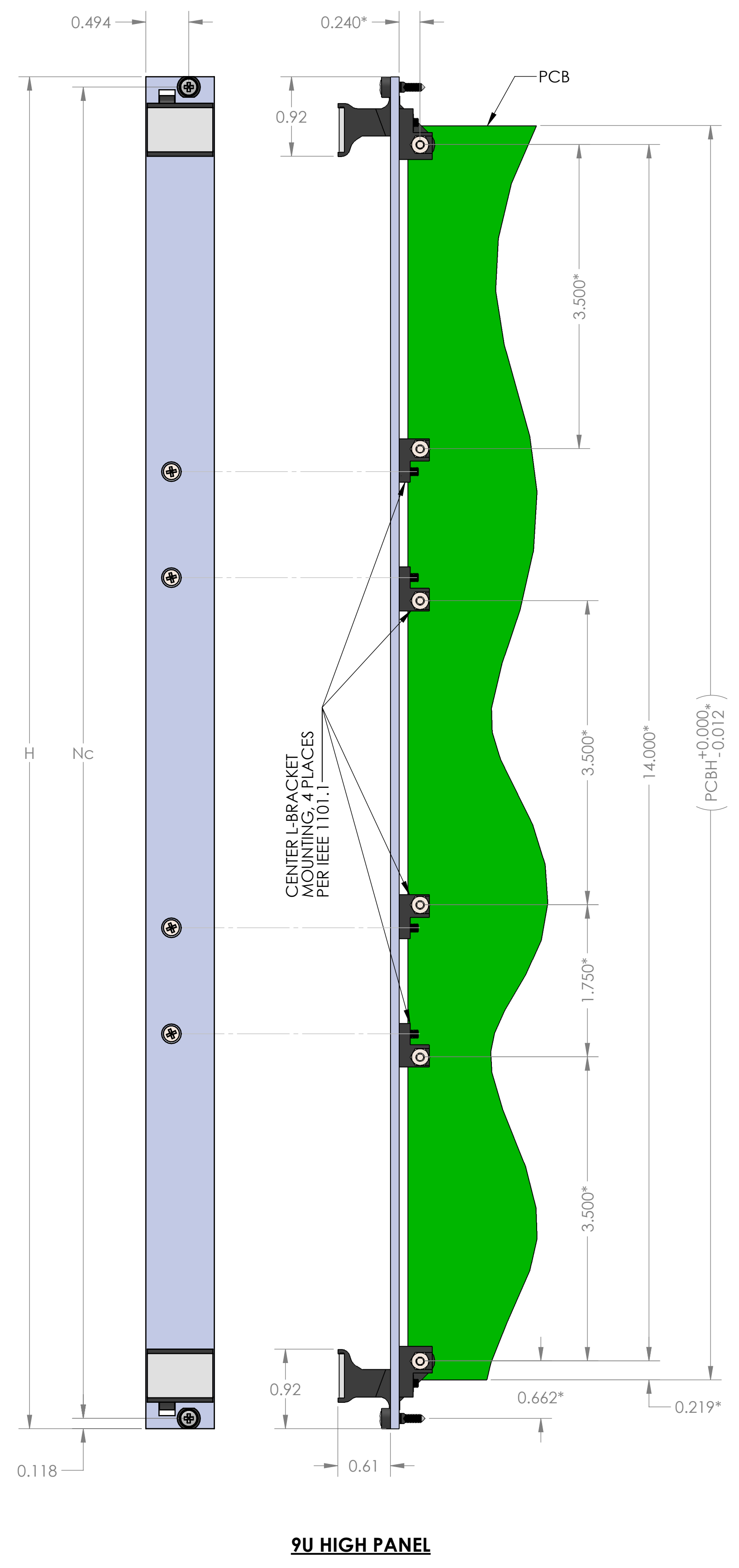
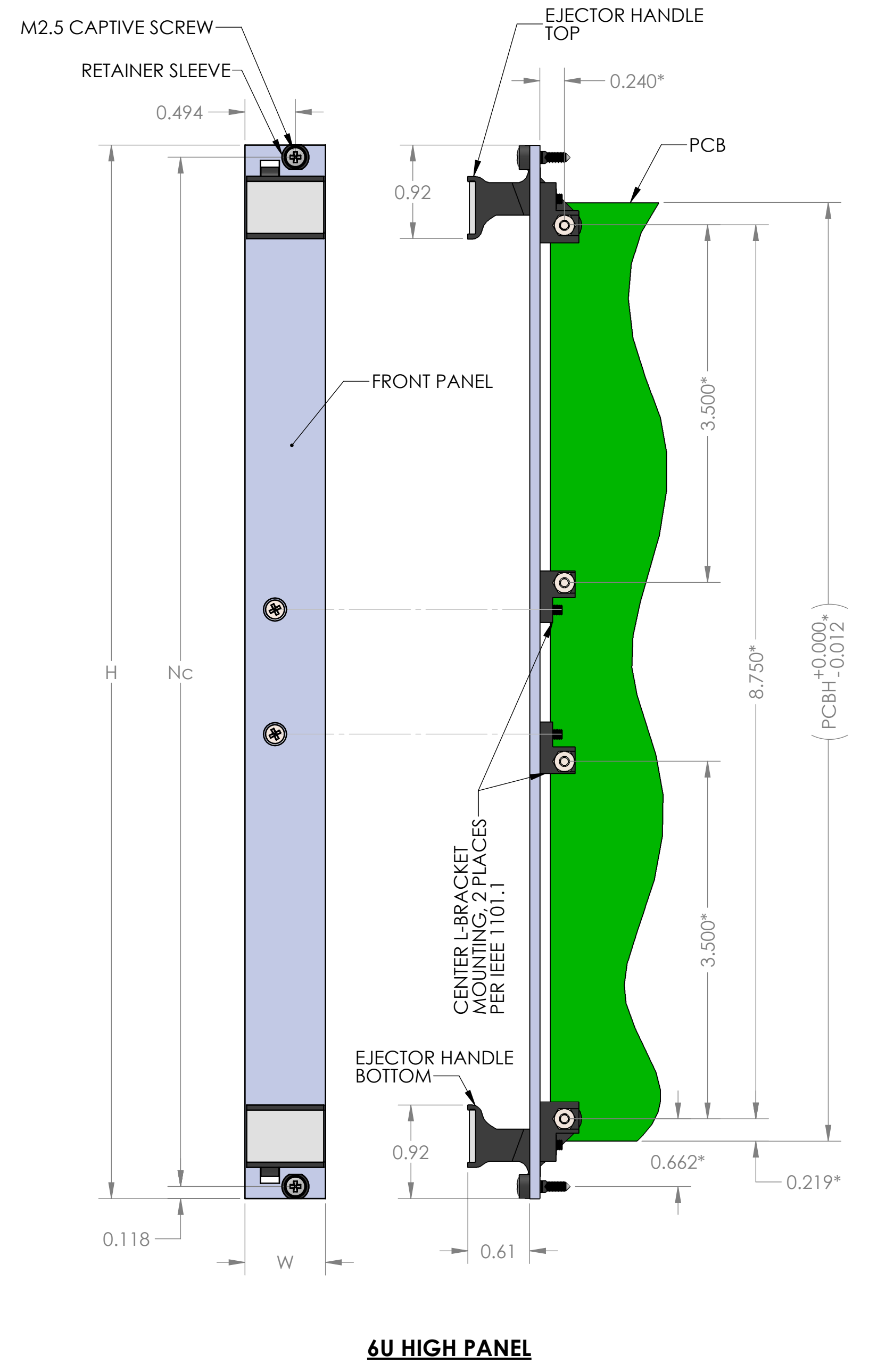
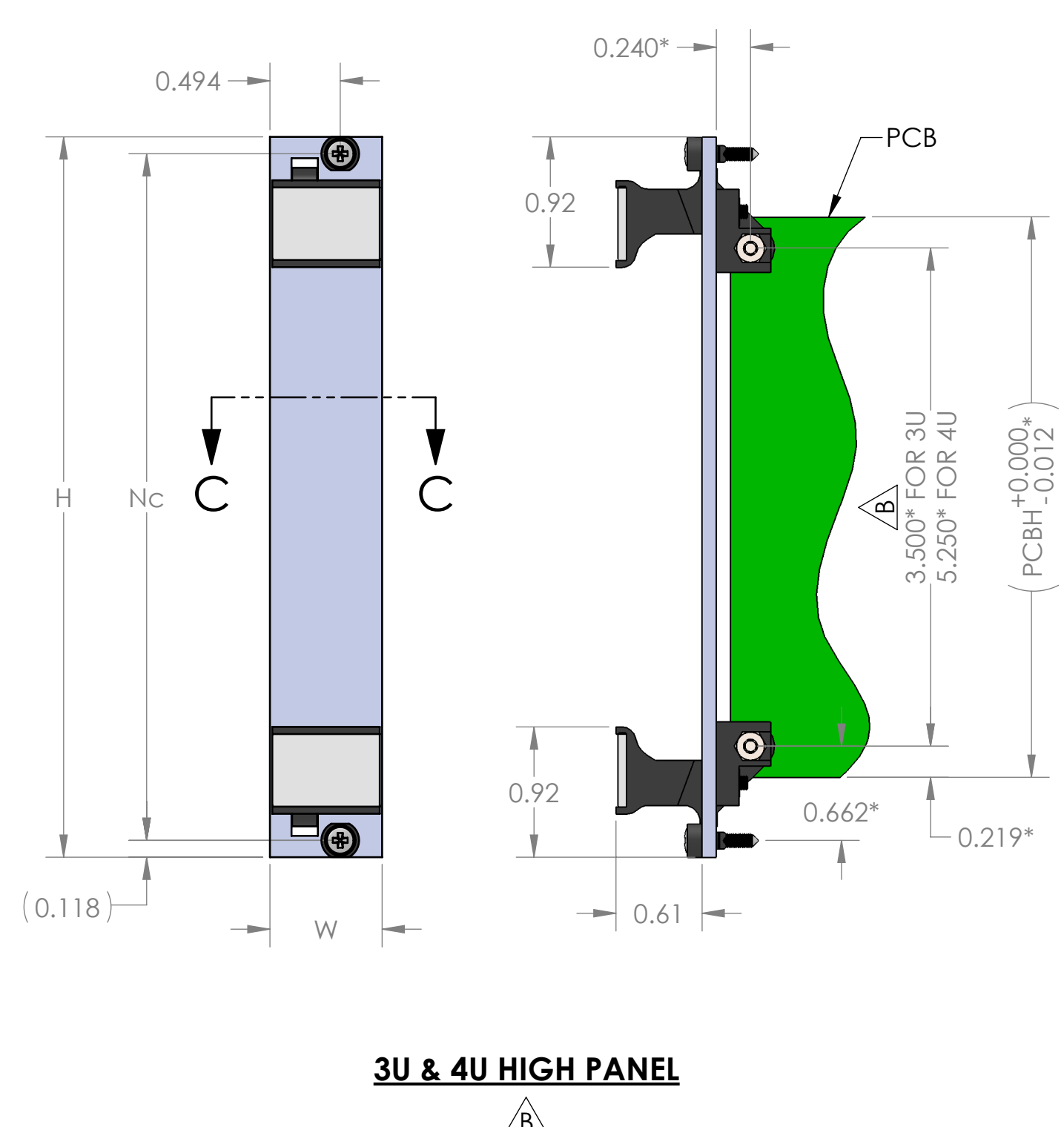


PART NO TABULATION

PART NO	DESCRIPTION	H	W	Nc	PCBH
FPE04-3U	3U X 4HP	5.059	0.788	4.823	3.937
FPE06-3U	3U X 6HP		1.188		
FPE07-3U	3U X 7HP		1.388		
FPE08-3U	3U X 8HP		1.588		
FPE12-3U	3U X 12HP		2.388		
FPE08-4U	4U X 8HP	6.809	1.588	6.573	5.687
FPE04-6U	6U X 4HP	10.309	0.788	10.073	9.187
FPE06-6U	6U X 6HP		1.188		
FPE08-6U	6U X 8HP		1.588		
FPE12-6U	6U X 12HP		2.388		
FPE04-9U	9U X 4HP		15.559		
FPE06-9U	9U X 6HP	1.188			
FPE08-9U	9U X 8HP	1.588			
FPE12-9U	9U X 12HP	2.388			

ADD SUFFIX "B" TO 6U OR 9U PANEL'S PART NO FOR PANELS WITHOUT CENTER BRACKETS MOUNTING, e.g. FPE04-6UB

REVISIONS				
ZONE	REV	DESCRIPTION	DATE	APPROVED
ALL	A	INITIAL RELEASE	02/14/12	
	B	ADDED PART NUMBER FPE08-4U	03/24/16	



- 5. FURNISHED UNASSEMBLED
  - 4. EACH FRONT PANEL KIT INCLUDES FRONT PANEL, EJECTOR HANDLES AND PCB ATTACHMENT HARDWARE
  - 3. \* INDICATES DIMENSIONS PER IEEE 1101.1
  - 2. PCB SHOWN FOR REFERENCE ONLY. NOT PART OF FRONT PANEL KIT
  - 1. FRONT PANELS ARE SHOWN ASSEMBLED WITH TYPE II EJECTOR HANDLES
- NOTES: UNLESS OTHERWISE SPECIFIED

UNLESS OTHERWISE SPECIFIED: DIMENSIONS ARE IN INCHES TOLERANCES:		NAME	DATE	<b>VECTOR</b> ELECTRONICS & TECHNOLOGY, INC. www.vector.net.com	81115 VANOVEN ST. NORTH HOLLYWOOD, CA 91365
DEC. X.X	±0.1	DRAWN	TRUSHAR		
DEC. X.XX	±0.03	CHECKED			
DEC. X.XXX	±0.010	ENG APPR.			
FRACTIONS	±0.050	MFG APPR.			
ANGLES	±1°	Q.A.			
THIRD ANGLE PROJECTION		COMMENTS:			
MATERIAL					
FINISH					

FRONT PANEL, 1101.1  
 EJECTOR TYPE II,  
 NON EMC

SIZE **D** DWG. NO. **FPEXX-RU** REV **B**

SCALE: 1:1 | CAGE CODE: 82893 | SHEET 1 OF 1

## X-ON Electronics

Largest Supplier of Electrical and Electronic Components

*Click to view similar products for [Racks & Rack Cabinet Accessories](#) category:*

*Click to view products by [Vector](#) manufacturer:*

Other Similar products are found below :

[M00-PLN](#) [F2424](#) [8351-832-A-24](#) [9104](#) [9105](#) [PLFF2000](#) [H-9163-B](#) [1427C3](#) [HTS10](#) [PC-79](#) [SC10-3A](#) [SC4-28](#) [CG3-340S/12](#) [CP-001BK](#)  
[M6123-4007-SS](#) [TS170](#) [LP40](#) [5261304-07](#) [CG3-160G](#) [7112C-PLN](#) [ALUM](#) [CM10](#) [8610-3124-S-26](#) [TS81](#) [7142](#) [GP134](#) [M6125-4007-A-24](#)  
[M6127-4007-SS](#) [PBCOVER](#) [512](#) [AEG-4000G](#) [AEG-3000G](#) [HD99](#) [SR2-66A2](#) [FP10B4HP-1](#) [SR16-66A2](#) [FP52-2](#) [1406-1006-01](#) [29478](#)  
[TS2535](#) [TS169-6](#) [CAC2](#) [HA19-3U](#) [BR-19-10-1](#) [TS180](#) [CG3-ESD](#) [SC11-1](#) [CFS-1.00/2.20](#) [HEC0800PB](#) [ZC633R](#) [140PLN](#)