

8

7

6

5

4

3

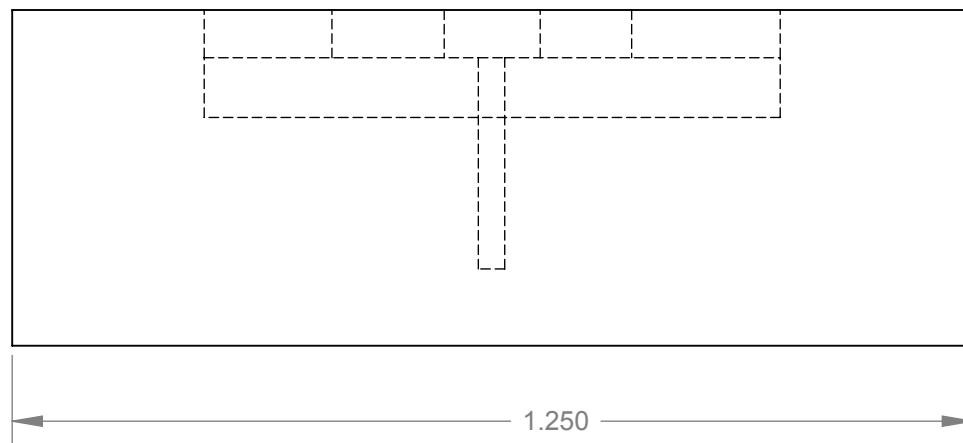
2

1

REVISIONS				
ZONE	REV.	DESCRIPTION	DATE	APPROVED
ALL	A1	ADDED ±.005 TOL. TO .188 DIM.	05/29/80	
	A2	ADDED MATTE FINISH REQUIREMENT TO NOTE 1 & INSPECTION NOTE	09/15/81	

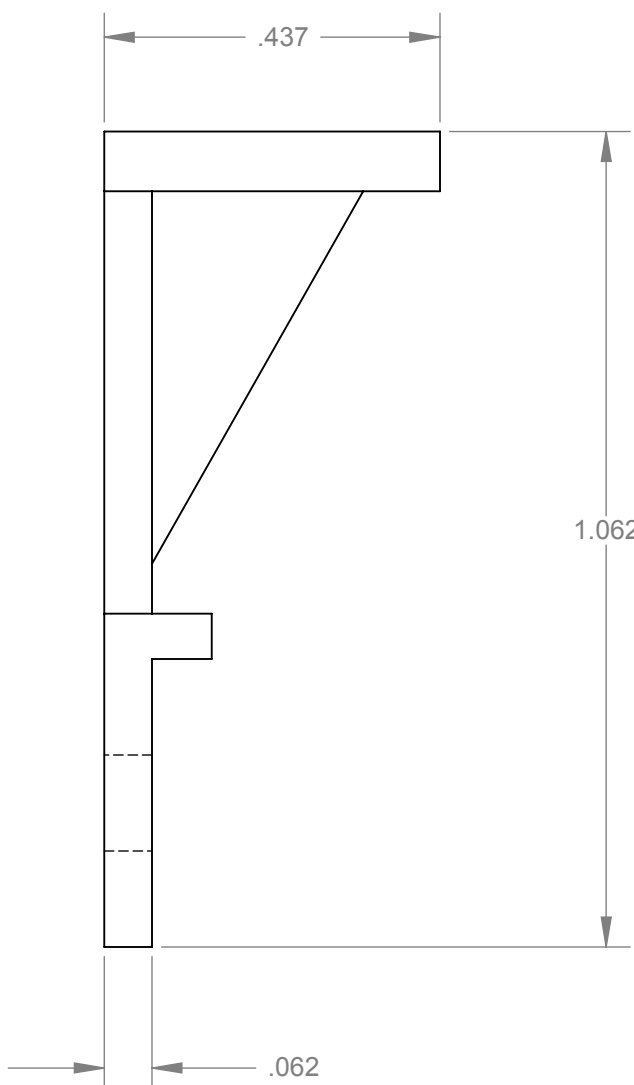
D

D



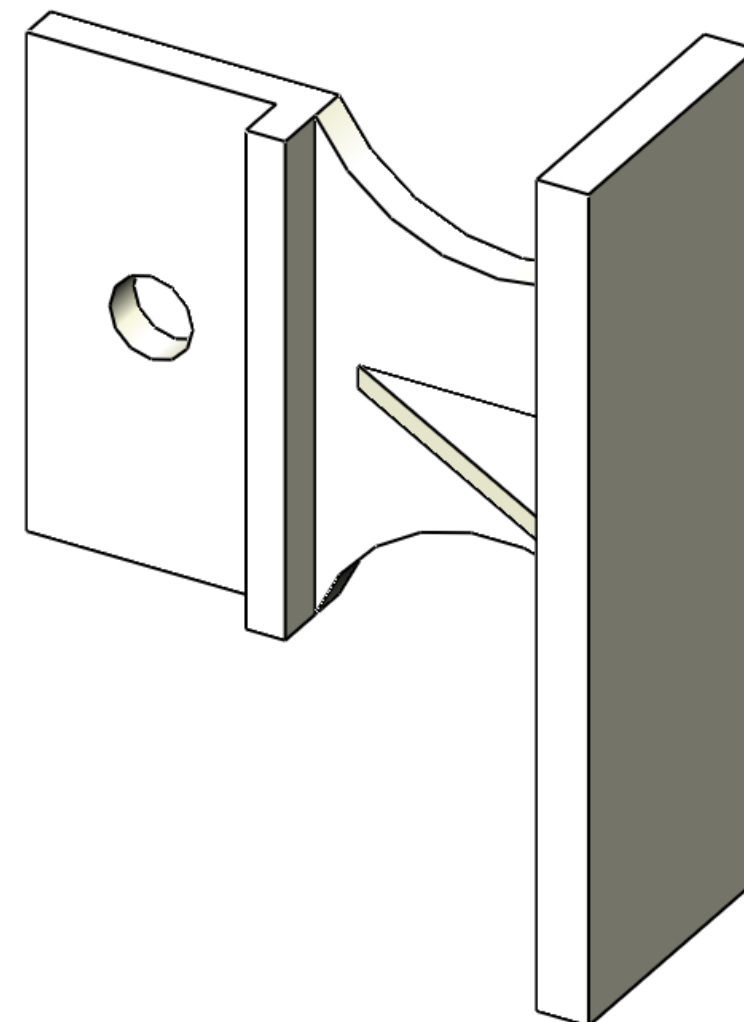
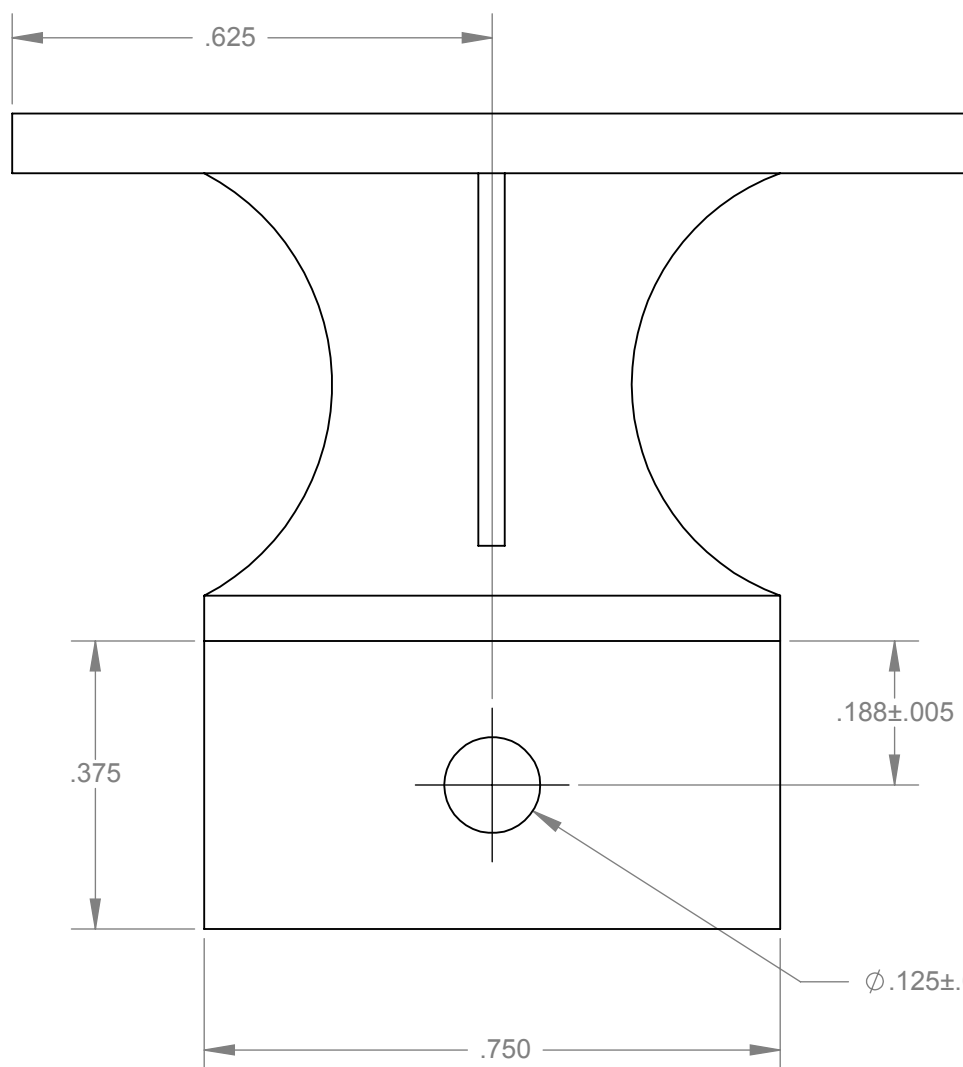
C

C



B

B



A

A

2. HA14 INCLUDES : SCREW (P/N# SC4-5#)
 LOCKWASHER (P/N# W4-1#) & NUT (P/N# NT4-2A#)

1. MAT'L : NYLON (MIL-M-20693A)
 MATTE FINISH REQUIRED ON PRINTING SURFACE

NOTES: UNLESS OTHERWISE SPECIFIED.

1. CHECK PER DRAWING DIM. & NOTES
 CRITICAL INSPECTION NOTES

PROPRIETARY AND CONFIDENTIAL
 THE INFORMATION CONTAINED IN THIS DRAWING IS THE SOLE PROPERTY OF VECTOR ELECTRONICS & TECH., INC. ANY REPRODUCTION IN PART OR AS A WHOLE WITHOUT THE WRITTEN PERMISSION OF VECTOR ELECTRONICS & TECH., INC. IS PROHIBITED.

UNLESS OTHERWISE SPECIFIED:	NAME	DATE
DIMENSIONS ARE IN INCHES	DRAWN	TRUSHAR
TOLERANCES:	CHECKED	06/29/07
FRACTIONAL ±	ENG APPR.	
ANGULAR: ± 5°	MFG APPR.	
TWO PLACE DECIMAL ±.03	Q.A.	
THREE PLACE DECIMAL ±.010		
INTERPRET GEOMETRIC TOLERANCING PER:	THIRD ANGLE PROJECTION	
MATERIAL <input type="checkbox"/>		
FINISH <input type="checkbox"/>		
DO NOT SCALE DRAWING		

VECTOR ELECTRONICS & TECHNOLOGY, INC. 11115 VANOWEN ST., NORTH HOLLYWOOD, CA 91605

**HA-14 PULL TYPE
 EJECTOR HANDLE**

SIZE DWG. NO.	REV
B MC 6101-B5.1	A2
SCALE: 4:1	WEIGHT:
	SHEET 1 OF 1

8

7

6

5

4

3

2

1

X-ON Electronics

Largest Supplier of Electrical and Electronic Components

Click to view similar products for [Racks & Rack Cabinet Accessories](#) category:

Click to view products by [Vector](#) manufacturer:

Other Similar products are found below :

[M00-PLN](#) [F2424](#) [8351-832-A-24](#) [9104](#) [9105](#) [PLFF2000](#) [H-9163-B](#) [1427C3](#) [HTS10](#) [PC-79](#) [SC10-3A](#) [SC4-28](#) [CG3-340S/12](#) [CP-001BK](#)
[M6123-4007-SS](#) [TS170](#) [LP40](#) [5261304-07](#) [CG3-160G](#) [7112C-PLN](#) [ALUM](#) [CM10](#) [8610-3124-S-26](#) [TS81](#) [7142](#) [GP134](#) [M6125-4007-A-24](#)
[M6127-4007-SS](#) [PBCOVER](#) [512](#) [AEG-4000G](#) [AEG-3000G](#) [HD99](#) [SR2-66A2](#) [FP10B4HP-1](#) [SR16-66A2](#) [FP52-2](#) [1406-1006-01](#) [29478](#)
[TS2535](#) [TS169-6](#) [CAC2](#) [HA19-3U](#) [BR-19-10-1](#) [TS180](#) [CG3-ESD](#) [SC11-1](#) [CFS-1.00/2.20](#) [AX6145WM](#) [HEC0800PB](#) [ZC633R](#)