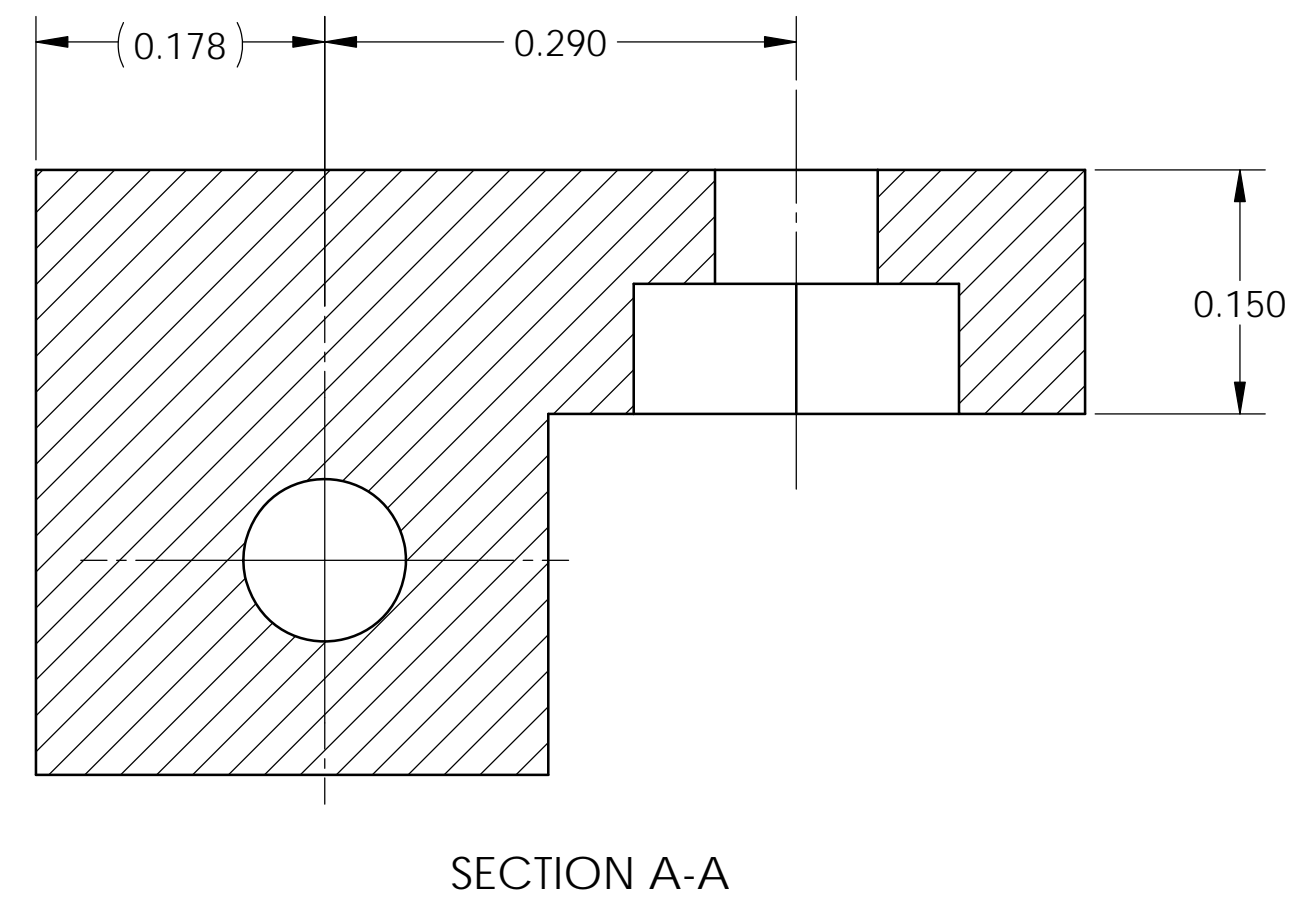
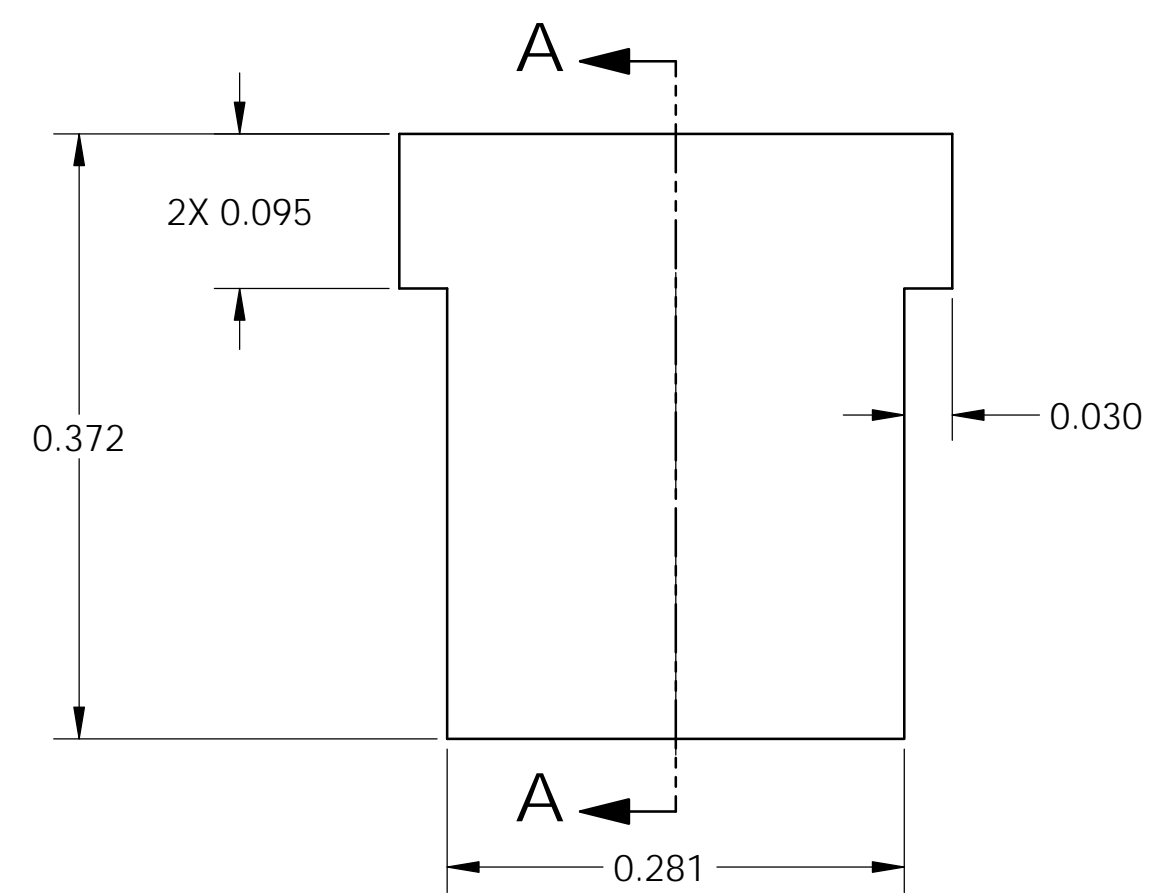
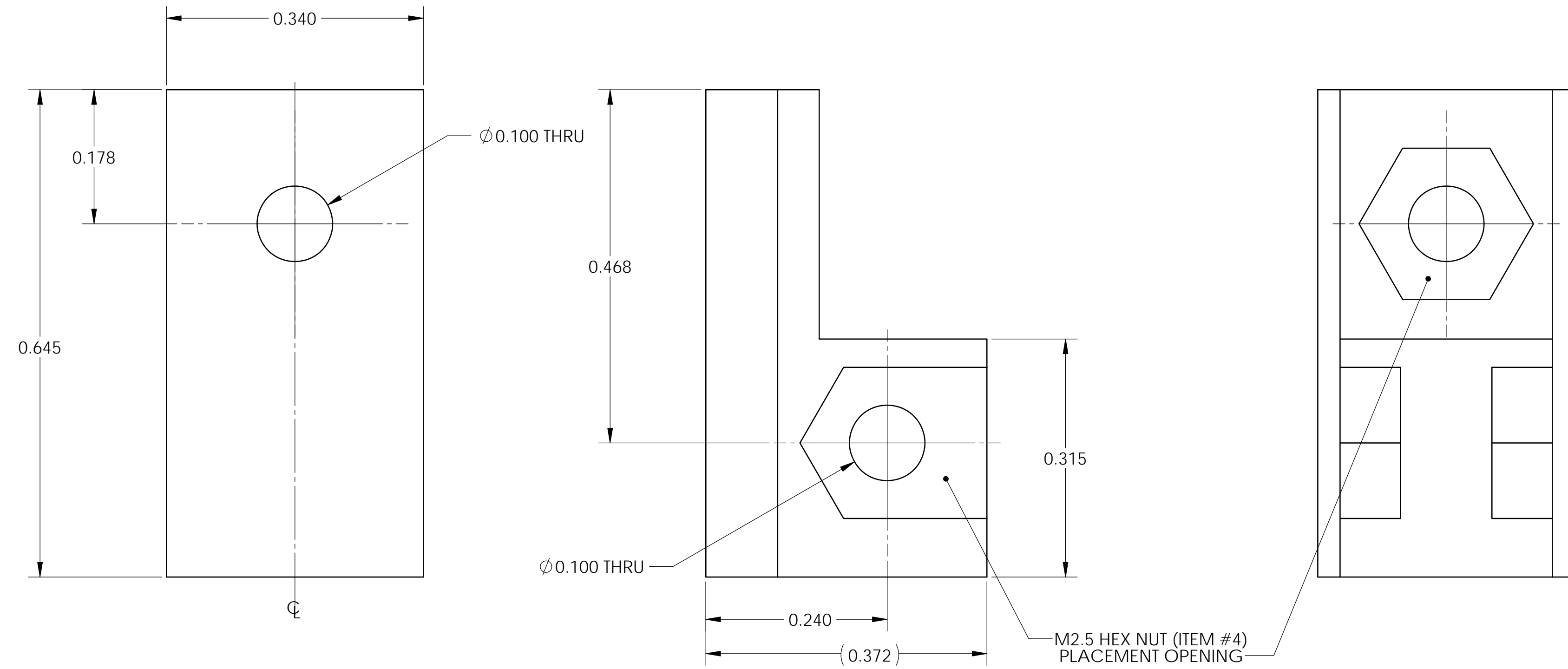


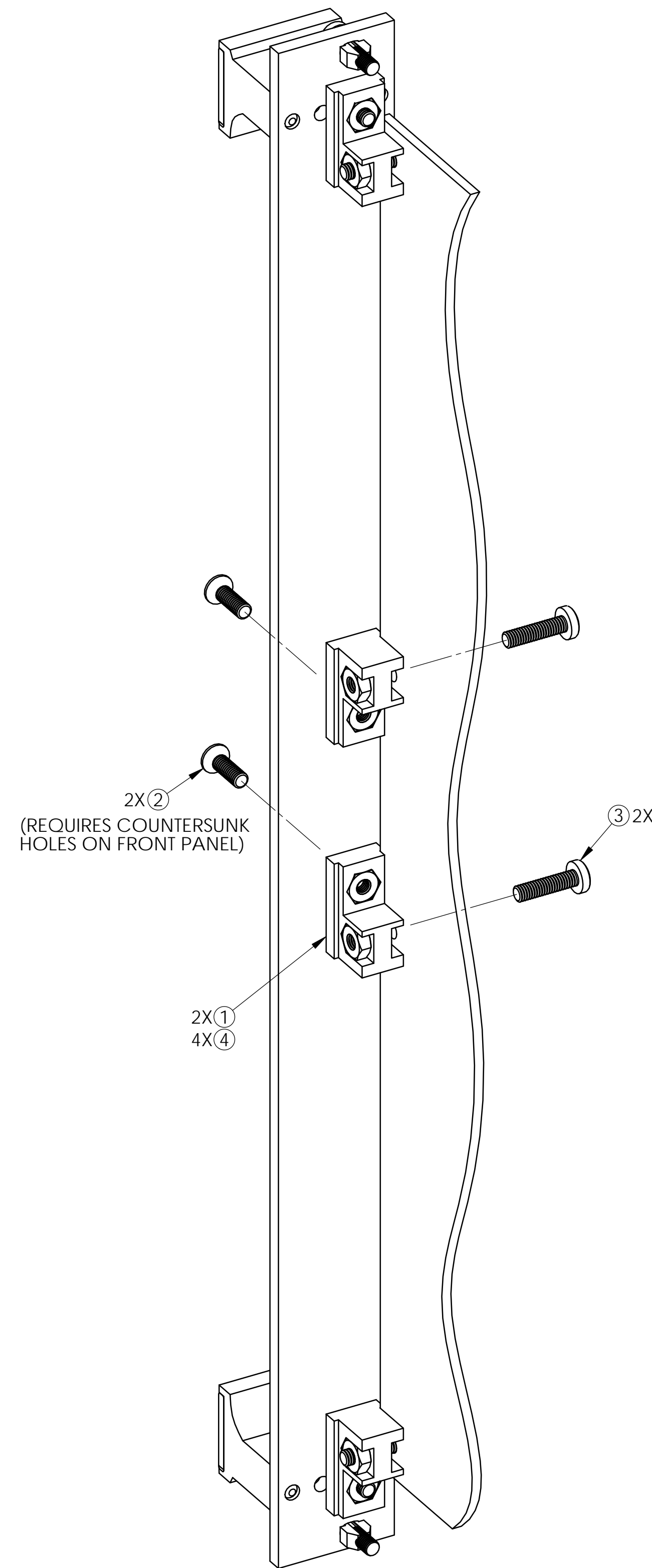
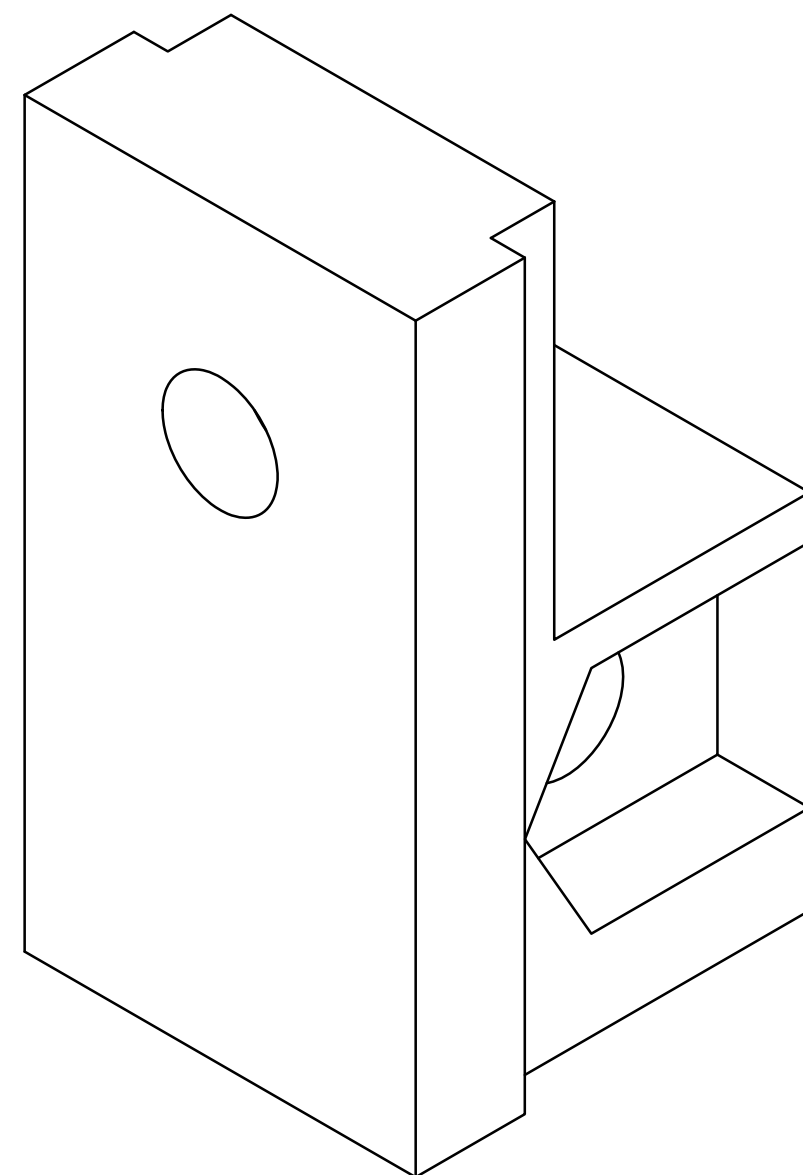
PROPRIETARY AND CONFIDENTIAL
 THE INFORMATION CONTAINED IN THIS DRAWING IS THE SOLE PROPERTY OF
 VECTOR ELECTRONICS & TECHNOLOGY, INC. ANY REPRODUCTION IN PART
 OR AS A WHOLE WITHOUT THE WRITTEN PERMISSION OF VECTOR ELECTRONICS
 & TECHNOLOGY, INC IS PROHIBITED.

REVISIONS				
ZONE	REV	DESCRIPTION	DATE	APPROVED
ALL	A	INITIAL RELEASE	03/14/16	

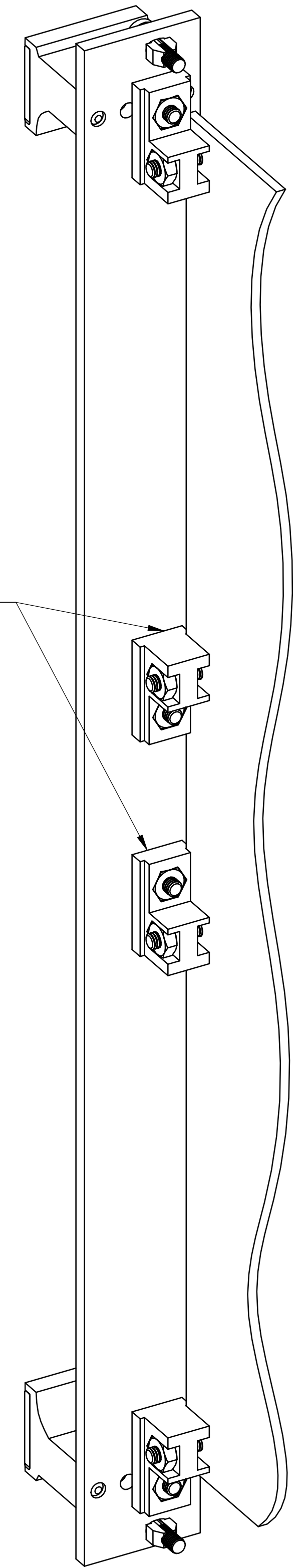


CENTER L-BRACKET DETAIL

①



L-BRACKET KIT EXPLODED VIEW



L-BRACKET KIT ASSEMBLED VIEW

HD102, CM05 AND CM05/100 PARTS LIST

ITEM NO	DESCRIPTION	PART NO	QTY REQ'D FOR P/N			U/M
			HD102	CM05	CM05/100	
1	CENTER L-BRACKET, NYLON, BLACK	94300001	2	2	100	EACH
2	SCREW, FLAT HEAD, M2.5-0.45X8mm	95000003	2	-	-	EACH
3	SCREW, PAN HEAD, M2.5-0.45X10mm	88000106	2	2	100	EACH
4	HEX NUT, M2.5X0.45-6H	95000006	4	4	200	EACH
5	WASHER, SPLIT LOCK, #3	W3-1#	-	2	100	EACH

UNLESS OTHERWISE SPECIFIED: DIMENSIONS ARE IN INCHES TOLERANCES:		NAME	DATE	 TITUS YANOSHEN BY NORTH HOLLYWOOD, CA 91665 www.vectorselect.com
DEC. X.X	±0.1	DRAWN	03/14/16	
DEC. X.XXX	±0.03	CHECKED		
DEC. X.XXXX	±0.010	ENG APPR.		
FRACTIONS	±0.050	MFG APPR.		
ANGLES	±1°	THIRD ANGLE PROJECTION		Q.A.
MATERIAL	COMMENTS:			
FRESH				

L-BRACKET KIT PLASTIC

SIZE DWG. NO. REV
D HD102-CM05 A

SCALE: 8:1 CAGE CODE: 82893 SHEET 1 OF 1

X-ON Electronics

Largest Supplier of Electrical and Electronic Components

Click to view similar products for [Racks & Rack Cabinet Accessories](#) category:

Click to view products by [Vector](#) manufacturer:

Other Similar products are found below :

[M00-PLN](#) [F2424](#) [8351-832-A-24](#) [9104](#) [9105](#) [PLFF2000](#) [H-9163-B](#) [1427C3](#) [HTS10](#) [PC-79](#) [SC10-3A](#) [SC4-28](#) [CG3-340S/12](#) [CP-001BK](#)
[M6123-4007-SS](#) [TS170](#) [LP40](#) [5261304-07](#) [CG3-160G](#) [7112C-PLN](#) [ALUM](#) [CM10](#) [8610-3124-S-26](#) [TS81](#) [7142](#) [GP134](#) [M6125-4007-A-24](#)
[M6127-4007-SS](#) [PBCOVER](#) [512](#) [AEG-4000G](#) [AEG-3000G](#) [HD99](#) [SR2-66A2](#) [FP10B4HP-1](#) [SR16-66A2](#) [FP52-2](#) [1406-1006-01](#) [29478](#)
[TS2535](#) [TS169-6](#) [CAC2](#) [HA19-3U](#) [BR-19-10-1](#) [TS180](#) [CG3-ESD](#) [SC11-1](#) [CFS-1.00/2.20](#) [AX6145WM](#) [HEC0800PB](#) [ZC633R](#)