

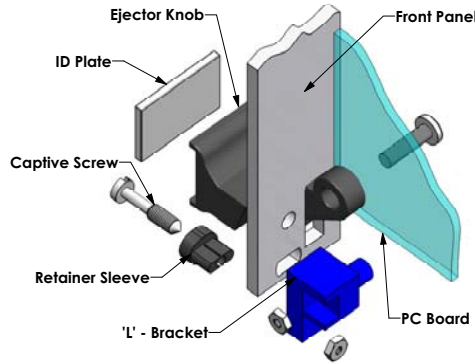


Non EMC DIN-Based VectorPak™ Subracks

Front Panels

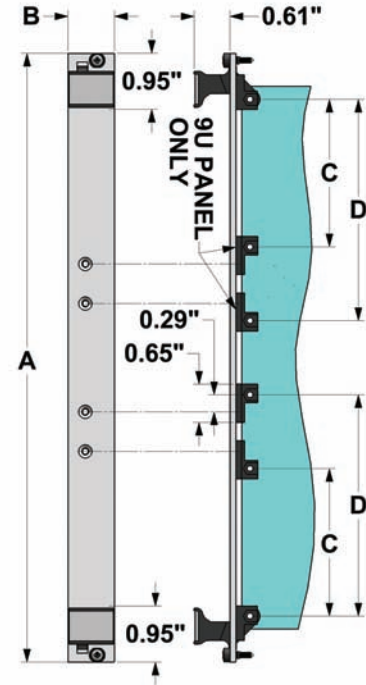
Screw-mounted front panel kits include handle and identification panel. Available in 3U, 6U and 9U heights and in three widths: 4HP (0.788"), 8HP (1.588") and 12HP (2.388"). All mounting hardware, including board mounting support bracket and hardware also included. Brushed aluminum panel with clear irridite plating matches standard finish for Vector packaging products.

Front Panels, Ejector Style, Type II



| Part # | DESCRIPTION | A | B | C | D |
|----------|-------------|--------|--------|-------|-------|
| FPE04-3U | 3U X 4HP | 5.06" | 0.788" | N/A | N/A |
| FPE08-3U | 3U X 8HP | 5.06" | 1.588" | N/A | N/A |
| FPE12-3U | 3U X 12HP | 5.06" | 2.388" | N/A | N/A |
| FPE04-6U | 6U X 4HP | 10.31" | 0.788" | 3.50" | 5.25" |
| FPE08-6U | 6U X 8HP | 10.31" | 1.588" | 3.50" | 5.25" |
| FPE12-6U | 6U X 12HP | 10.31" | 2.388" | 3.50" | 5.25" |
| FPE04-9U | 9U X 4HP | 15.56" | 0.788" | 3.50" | 5.25" |
| FPE08-9U | 9U X 8HP | 15.56" | 1.588" | 3.50" | 5.25" |
| FPE12-9U | 9U X 12HP | 15.56" | 2.388" | 3.50" | 5.25" |

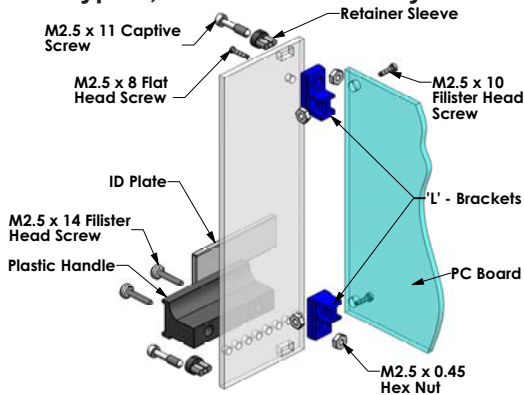
-Add suffix "B" to part # for panels without center brackets mounting, e.g. FPE04-6UB



Non EMC Subracks

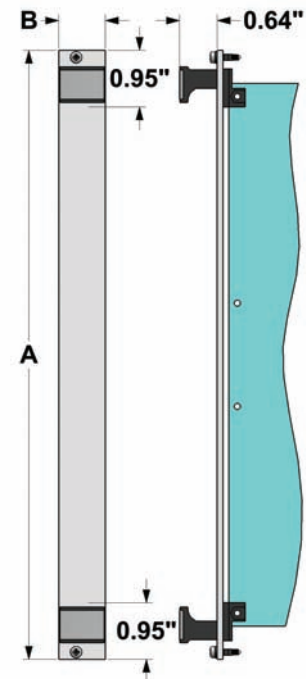
Front Panels, Fixed Handle Style, Type V

Type V, 3U Fixed Handle Style



| Part # | DESCRIPTION | A | B |
|---------|-------------|--------|--------|
| FP04-3U | 3U X 4HP | 5.06" | 0.788" |
| FP08-3U | 3U X 8HP | 5.06" | 1.588" |
| FP12-3U | 3U X 12HP | 5.06" | 2.388" |
| FP04-6U | 6U X 4HP | 10.31" | 0.788" |
| FP08-6U | 6U X 8HP | 10.31" | 1.588" |
| FP12-6U | 6U X 12HP | 10.31" | 2.388" |
| FP04-9U | 9U X 4HP | 15.56" | 0.788" |
| FP08-9U | 9U X 8HP | 15.56" | 1.588" |
| FP12-9U | 9U X 12HP | 15.56" | 2.388" |

-Fixed Handle Style front panel kit includes upper and lower handles (lower only on 3U versions) that extend across the full width of the panel





Non EMC DIN-Based VectorPak™ Subracks

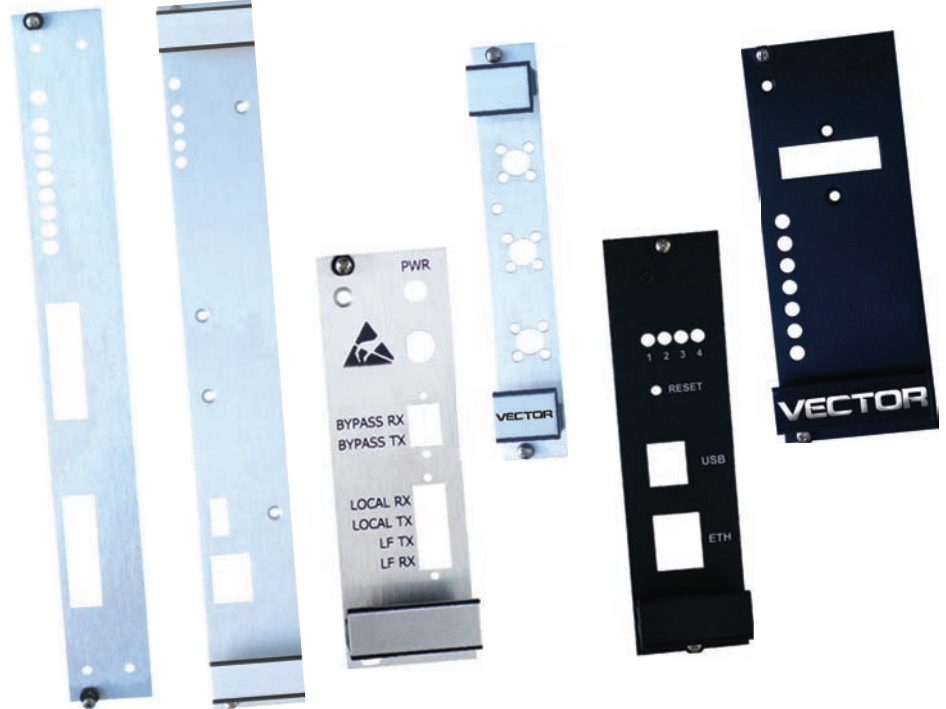


Custom Front Panels

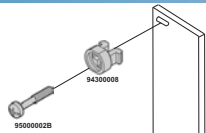
Whether you need standard panels, modified, or custom front panels, we have manufacturing capabilities to support your needs. Vector Electronics's custom aluminum front panels offer a wide range of design opportunities. Cost effective punching for volume production.

Customization :

- Panel cutouts
- Silkscreening
- Powder coating
- Special Finishing



Standard Filler Panels



Captive sleeves/screws are included with all VectorPak™ filler panels and also sold separately in a hardware kit:

| P/N HD99-1 | |
|---|-----|
| Includes | Qty |
| Black plastic sleeve | 48 |
| M2.5 x 11 mm, nickel plated steel screw | 48 |

Filler Panels/Blank-off Plates Features

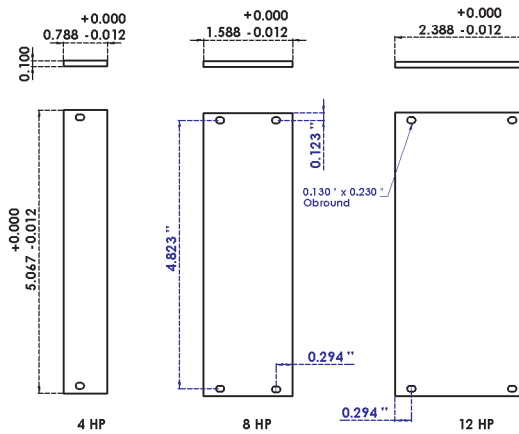
- Covers unused slots
- Improves air flow
- Mounting hardware included

Typical slot width is 0.800" (4HP)
Material: 6063T5, extruded brushed Aluminum with clear Iridite finish.

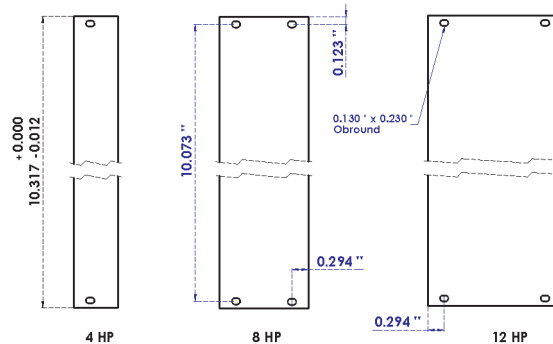
Each Filler Panel Kit Includes
4,8 or 12HP panel (0.8", 1.6" or 2.4")
M2.5 Nickel plated mounting screws with 'captive' sleeves

| U | Part Number 4HP | Part Number 8HP | Part Number 12HP |
|---|-----------------|-----------------|------------------|
| 3 | 5231304-07 | 5231308-07 | 5231312-07 |
| 6 | 5261304-07 | 5261308-07 | 5261312-07 |
| 9 | 5291304-07 | 5291308-07 | 5291312-07 |

3U FILLER PANELS

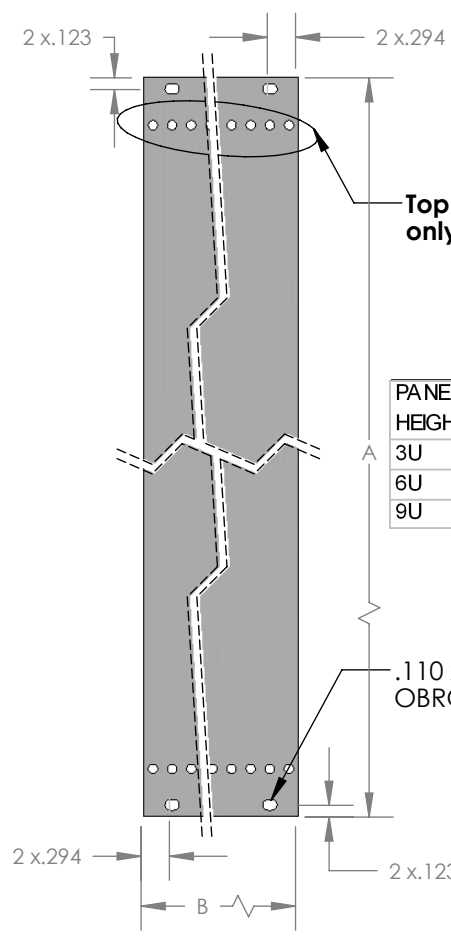


6U FILLER PANELS



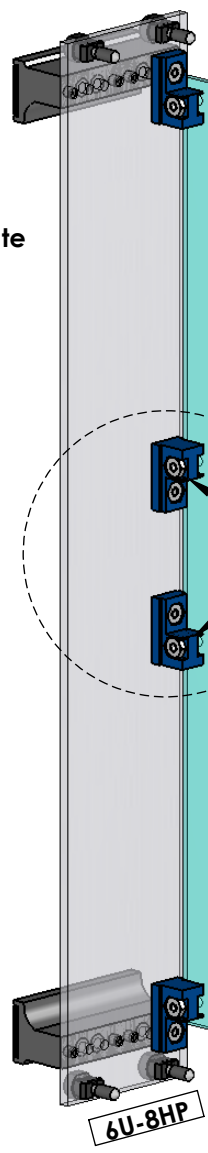
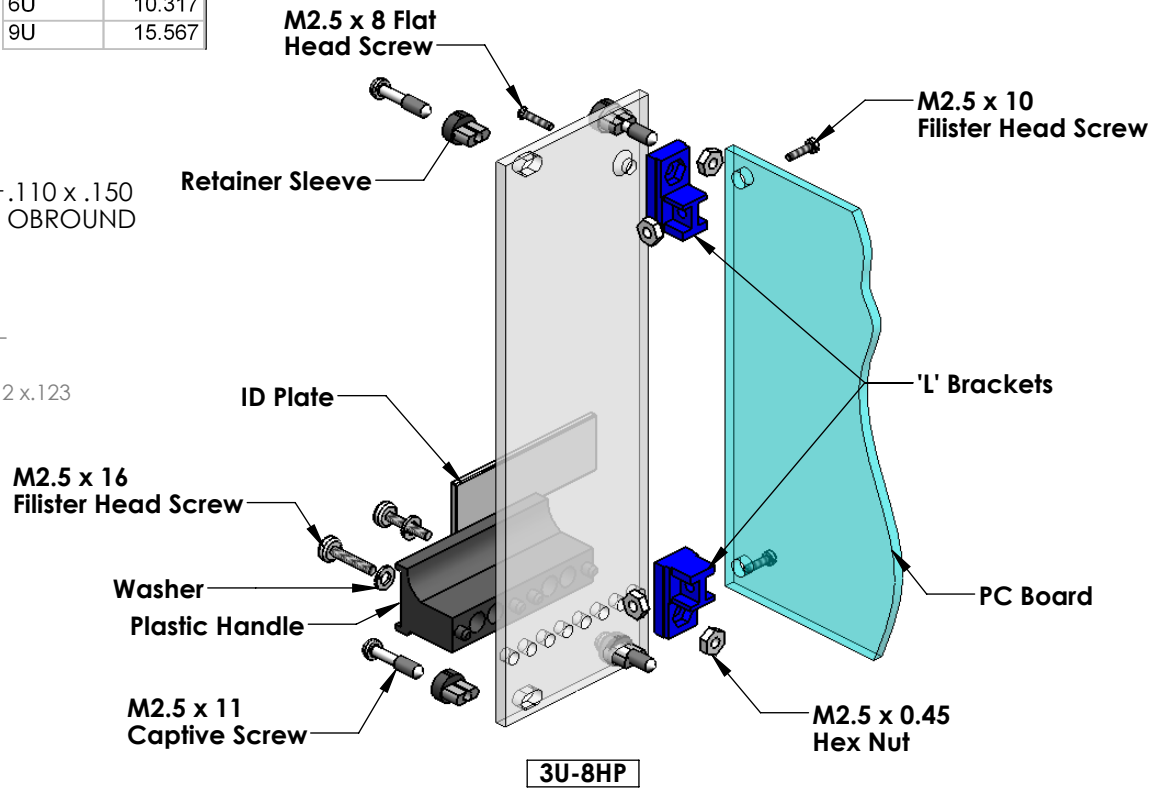
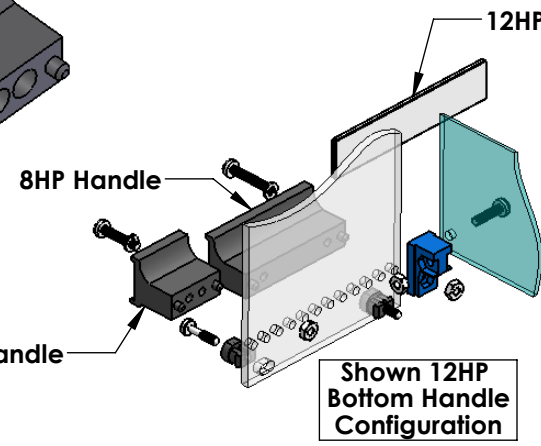
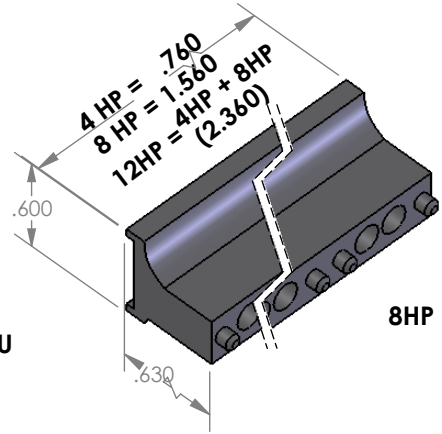
Non EMC Subracks

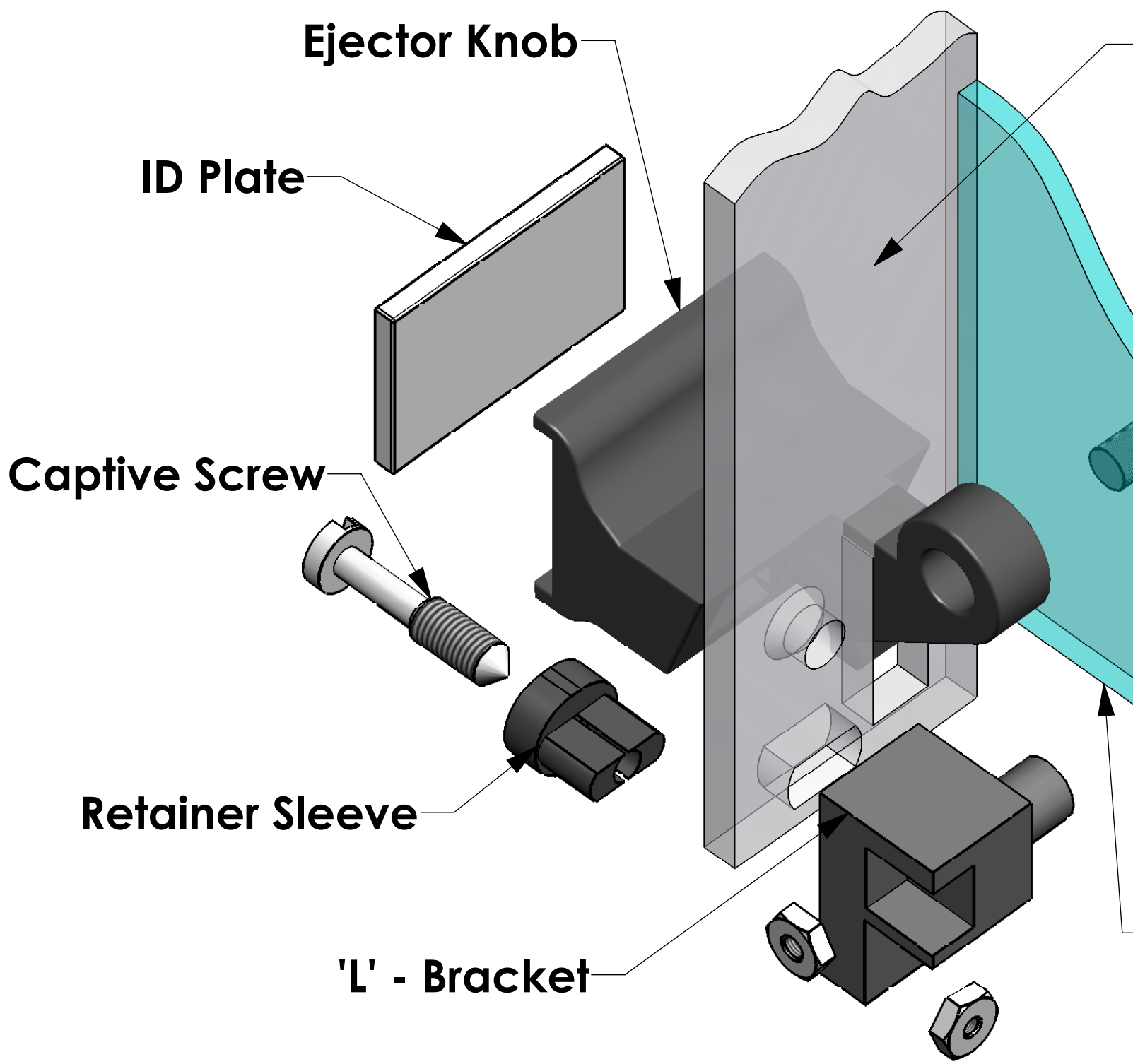
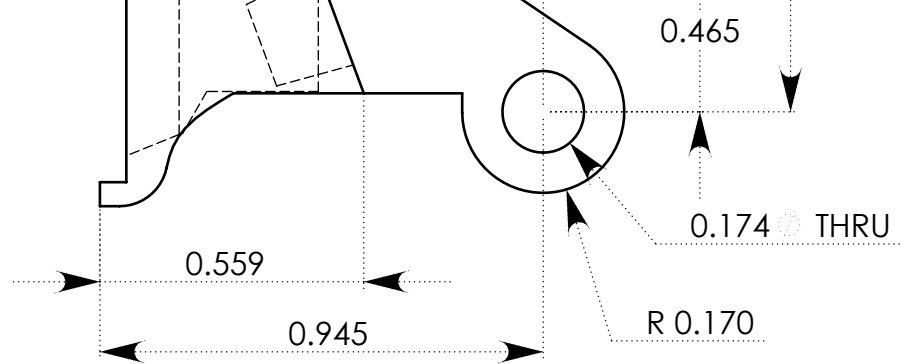
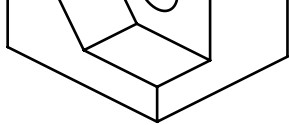




| PANEL HEIGHT | A |
|--------------|--------|
| 3U | 5.067 |
| 6U | 10.317 |
| 9U | 15.567 |

| PANEL WIDTH | B |
|-------------|-------|
| 4 HP | 0.788 |
| 8 HP | 1.588 |
| 12 HP | 2.388 |





***FPE04-6U* PANEL WILL HAVE TWO CENTER HOLES FOR OPTIC
ORDER *FPE04-6UB* FOR PANEL WITHOUT THE CENTER HOLES**

X-ON Electronics

Largest Supplier of Electrical and Electronic Components

Click to view similar products for [Racks & Rack Cabinet Accessories](#) category:

Click to view products by [Vector](#) manufacturer:

Other Similar products are found below :

[M00-PLN](#) [F2424](#) [8351-832-A-24](#) [9104](#) [9105](#) [PLFF2000](#) [H-9163-B](#) [1427C3](#) [HTS10](#) [PC-79](#) [SC10-3A](#) [SC4-28](#) [CG3-340S/12](#) [CP-001BK](#)
[M6123-4007-SS](#) [TS170](#) [LP40](#) [5261304-07](#) [CG3-160G](#) [7112C-PLN](#) [ALUM](#) [CM10](#) [8610-3124-S-26](#) [TS81](#) [7142](#) [GP134](#) [M6125-4007-A-24](#)
[M6127-4007-SS](#) [PBCOVER](#) [512](#) [AEG-4000G](#) [AEG-3000G](#) [HD99](#) [SR2-66A2](#) [FP10B4HP-1](#) [SR16-66A2](#) [FP52-2](#) [1406-1006-01](#) [29478](#)
[TS2535](#) [TS169-6](#) [CAC2](#) [HA19-3U](#) [BR-19-10-1](#) [TS180](#) [CG3-ESD](#) [SC11-1](#) [CFS-1.00/2.20](#) [AX6145WM](#) [HEC0800PB](#) [ZC633R](#)