

Pad Cutters, Insertion Tools

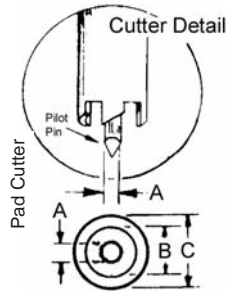


P138A
Wooden Handle type

Pad Cutters



Shank Only
P138C



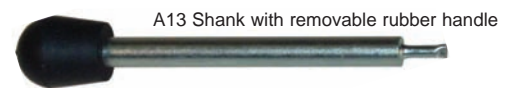
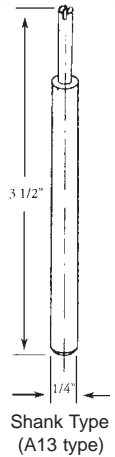
Shows pad removal & pad cutter P116C

Vector Pad Cutters provide an effective method for creating isolated solder pads around holes in copper clad boards. Pilot pin enters hole and rotates, creating a clearance area around the solder pad. Available for boards with .062" or .042" diameter holes. Also available without handles for use with manual or power drills.

Part No.	Holder Type	A	B	C	Shank	Use with Vectorbord®
P116C	Handle/Shank	.055"	.188"	.250"	.250"	Pattern G, H .062" holes
P138A	Handle/Shank	.040"	.086"	.125"	.125"	Pattern P, .042" holes
P138C	Shank Only	.040"	.086"	.125"	.125"	Pattern P, .042" holes

Hand Insertion Tools for Push-In Terminals

Part No	Terminal P/N	Holder Type
A13	T44	Shank with removable rubber handle
A13-1	T68	Shank with removable rubber handle
P91A	T28	Wooden Handle
P156	T49	Wooden Handle
P133A	T46 series & K24 - K31	Shank with removable rubber handle
P134	K36	Wooden Handle
P149A	T42-1	Wooden Handle
P149	T42-1	Shank with removable rubber handle



A13 Shank with removable rubber handle



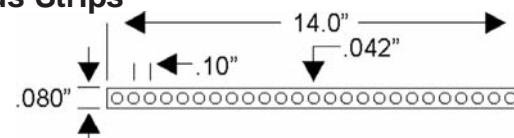
P149 Shank with removable rubber handle



P149A - Wooden Handle Type

T107

Bus Strips



- Flat cold-drawn flat copper wire, 0.017" thick (+/-0.003")
- 0.080"W with 0.042" diameter holes on 0.100" centers
- Hot 100% Tin dipped, fully RoHS compliant
- Compatible with most Vectorbord® hole patterns



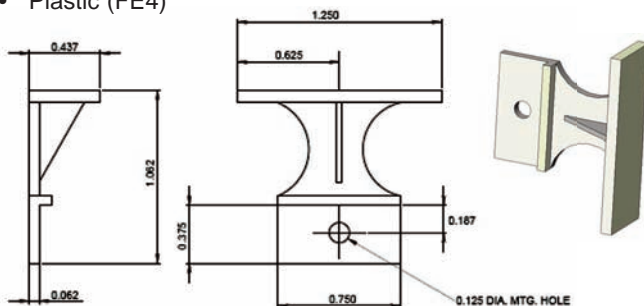
Part No.	Pkg Qty
T107/C	100
T107/10	10

HA14

Pull Type Ejector Handle

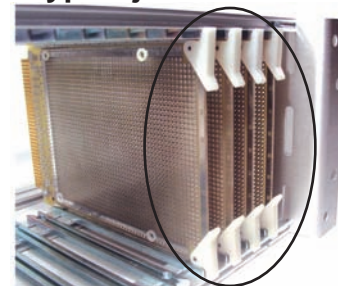
- Extraction/insertion handles
- Mounts on front edge of Plugbord™ with single screw or roll-pin
- Plastic (FE4)

Part No.	Package Quantity
HA14	4
HA14/C	100



HA9

Rotation Type Ejector Handle



Dimensional information for HA9 is on Page 44

- Card ejector, corner mounting
- Supports up to 40 lbs extraction force
- White nylon, (hardware included)

Part No.	Pkg Qty
HA9/4	4
HA9/C	100

X-ON Electronics

Largest Supplier of Electrical and Electronic Components

Click to view similar products for [Extraction, Removal & Insertion Tools](#) category:

Click to view products by [Vector](#) manufacturer:

Other Similar products are found below :

[M8196914-08](#) [768211-2](#) [809-131](#) [844751-2](#) [8-59558-2](#) [91018-1](#) [12014013](#) [12093647](#) [1-21048-0](#) [R282867020](#) [12093078](#) [1-21048-6](#)
[12121897](#) [DCF.91.405.5LT](#) [1322](#) [15314260](#) [15313892](#) [15350698](#) [15350707](#) [15430130](#) [1579018-4](#) [1643916-1](#) [1-679532-0](#) [1976593-3](#)
[OUTEXT-0321](#) [2-1579008-3](#) [2-1579008-4](#) [229694-7](#) [231106-1](#) [241469](#) [91040-3](#) [91040-7](#) [965004-000](#) [965069-000](#) [1738219-1](#) [ET-JL05-16](#)
[FG 0300 146 3000](#) [FIT-6](#) [210S048](#) [2-1579007-9](#) [231879-1](#) [312138-3](#) [RJ11FODE](#) [356-162](#) [M8196914-10](#) [4-1579018-0](#) [430395-001](#) [483249-](#)
[1](#) [5-1579007-2](#) [5-1579007-9](#)