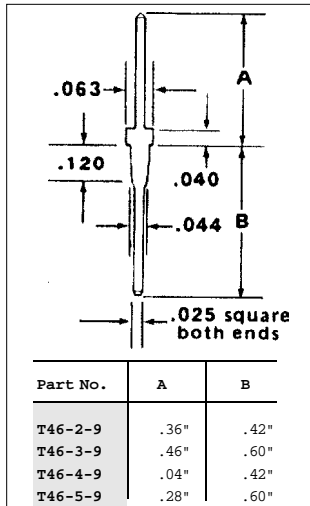


Terminals: Vector Wiring Terminals are useful for breadboarding or prototyping using Vectorbord® plugboards™ and accessories. Individual stamped and/or machine terminals are provided in convenient package quantities. Tools for insertion and staking are also available.

T46 - Press-In Terminals for .042" diameter holes

- Single and double-tailed (accessible from both sides) wire-wrap terminals
- .025" square posts
- Provides secure contact without soldering or staking
- Rectangular base with stepped shank presses into plain or plated-thru holes and is retained without etching or soldering
- Pointed ends slide neatly into all wrapping bits

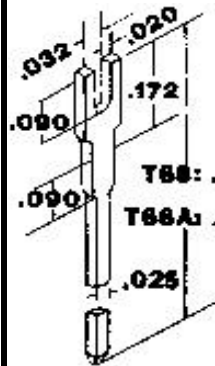


Use P133A insertion tool, see page 108

T44, T68 Bifurcated Miniwrap Terminals for .042" diameter holes

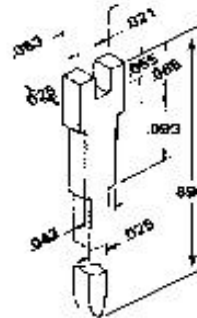


- Wire-wrap tail with two-pronged receptacle for wires or leads
- .025" square posts
- Rectangular terminal with stepped shank presses securely into plated or unplated holes, requires no staking or soldering
- Bifurcated end holds soldered leads securely
- T44: maximum .021" diameter leads or 24 gage wires
- T68: maximum .032 diameter leads or 20 gage wires



T68
T68A

Insertion Tool: A13-1



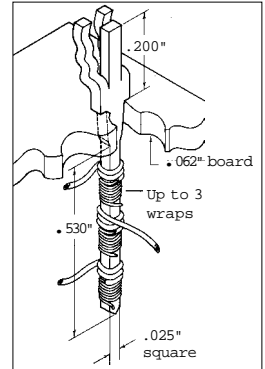
T44

Insertion Tool: A13

See table below

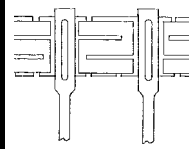
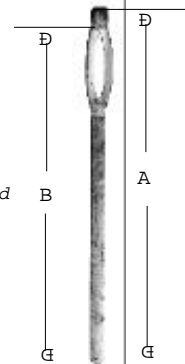
T49 - Trifurcated Klipwrap Terminals for .042" diameter holes

- Wire-wrap tail with three-pronged receptacle for wires or leads
- .025" square posts
- Wires or leads are crimped into receptacle on component side, secured for soldering
- Holds .018"-.025" diameter leads or 22 gage wires in lower slot, .032"-.040" diameter leads or 17 gauge wires in upper slot



T125, T126 - Wire-Wrap Terminals for .042" diameter holes

- Pressfit wire-wrap terminals, ideal for connecting voltage and ground holes in Vectorbord plus™ and Pads & Planes™ patterns
- 2-level terminals: Part No. T125
- 3-level terminals: Part No. T126



Part No.	A	B
T125/C	.560"	.529"
T126/C	.700"	.669"

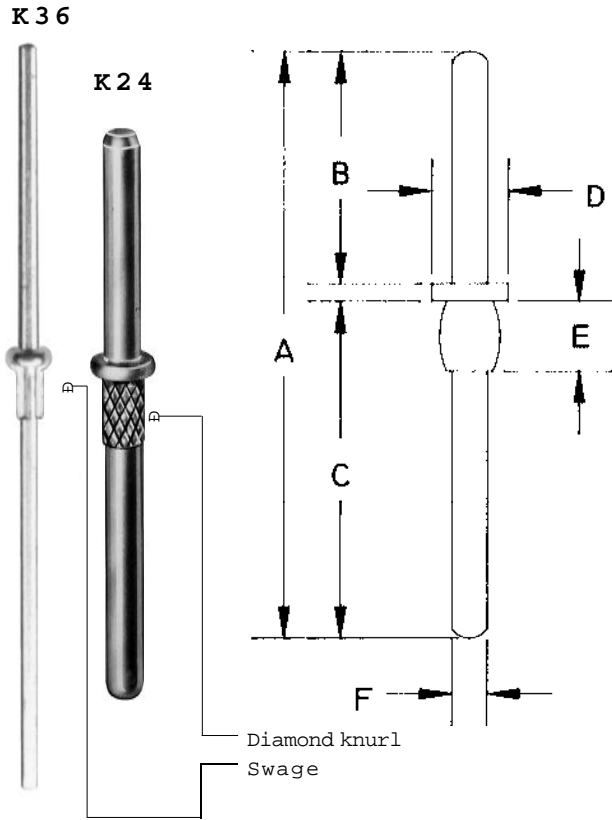
Packages of 100 each.

Terminal: TinPlate Part No.	Terminal: GoldPlate: Part No.	Package Quantity	Hand Insertion Tool
T44/M	T44-1/M	1000	A13
T46-2-9/M	-	1000	P133A
T46-3-9/C	-	100	P133A
T46-3-9/M	T46-3A9/M	1000	P133A
T46-4-9/C	-	100	P133A
T46-4-9/M	T46-4A9/M	1000	P133A
T46-5-9/C	-	100	P133A
T46-5-9/M	-	1000	P133A
T49/C	T49A/C	100	P156
T49/M	T49A/M	1000	P156
T68/C	-	100	A13-1
T68/M	T68-1/M	1000	A13-1
T68A/M	-	1000	A13-1

Inbord Pins

For .042" diameter holes

- Press-in pins provide excellent solder points
- Installation tools available separately, see page 107
- Available in several sizes



Part No.	Pkg Qty	Hole Size	Dimensions					
			A	B	C	D	E	F
K24A/M*	1000	.042"	.650"	.255"	.375"	.073"	.080"	.039"
K24C/M*	1000	.042"	.650"	.255"	.375"	.073"	.080"	.039"
K26C/M	1000	.042"	.375"	.160"	.195"	.075"	.080"	.040"
K30C/M	1000	.042"	.550"	.225"	.305"	.085"	.060"	.040"
K31C/M	1000	.042"	.375"	.160"	.195"	.075"	.060"	.040"
K36C/M	1000	.025"	.705"	.293"	.400"	.040"	.050"	.023"

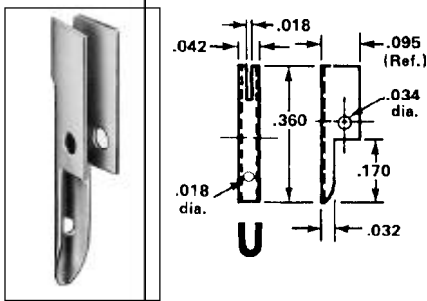
*Use in G-10 epoxy glass board only as knurled shoulder may split CEM-1 composite material

Plating Note: Tin plated, Gold plating available on K24 & K31 styles. Add "A" suffix to numeric portion of part number.

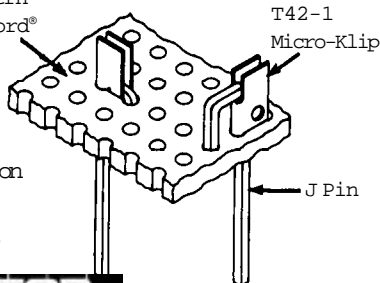
T42 - 1 Push-In Terminals

for .042" diameter holes

- Wiring terminals for mounting leads or wires horizontally or vertically (through board hole)
- Connectors require no staking for most applications
- Horizontal slot holds up to seven wires, depending upon thickness of wire



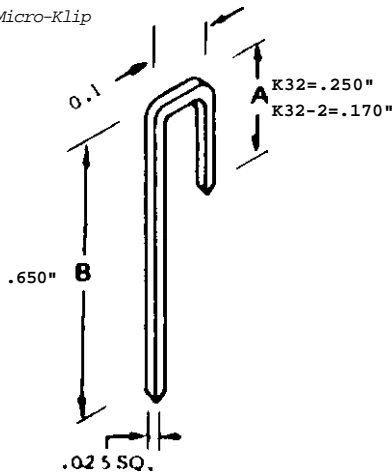
"P" Pattern Vectorbord®



K32 J-Pin Terminals

for .042" diameter holes

- Wire-wrap terminal installs in two .042" diameter holes on 0.1" centers
- Short leg can be bent to secure pin
- Long post can share hole with T42-1 Micro-Klip

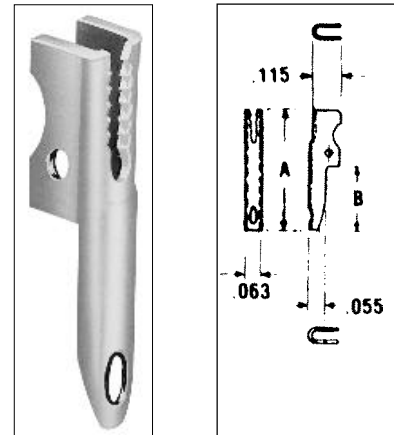


Part No.	Qty
K32/C	100
K32/M	1000
K32-2/M	1000
T42-1/C	100
T42-1/M	1000

T28 Push-In Terminals

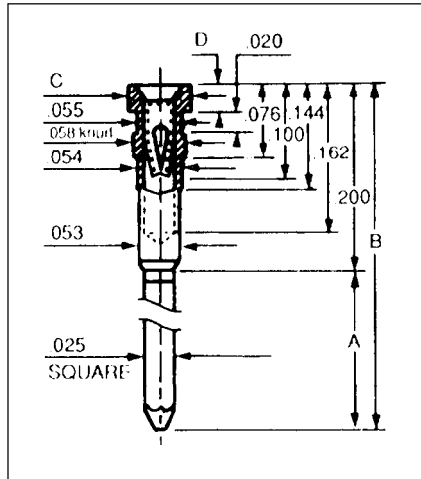
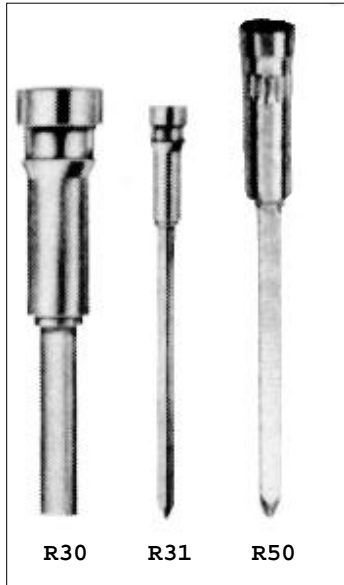
for .062" diameter holes

- Wiring terminals for mounting leads or wires horizontally or vertically (through board holes)
- Vertical (longitudinal) slot holes .025" diameter leads or .22 gauge wires
- Includes .018" diameter tab hole which accepts transistor wires, can be used to hold an anchoring wire



Part No.	Pkg Qty	A	B
T28/C	100	.437"	.237"
T28/M	1000	.437"	.237"

Products



Socket pins For .055" Diameter Holes

R30, R31, R50, R51, R52, R53

Part No.	Pkg Qty	A	B	C	D	Male Pin Depth
R30/C	100	.110"	.286"	.072"	.030"	.15"
R30/M	1000	.110"	.286"	.072"	.030"	.15"
R31/C	100	.500"	.703"	.072"	.030"	.17"
R31/M	1000	.500"	.703"	.072"	.030"	.17"
R50/C	100	.360"	.560"	.062"	-	-
R50/M	1000	.360"	.560"	.062"	-	-
R51C	100	.360"	.560"	.062"	-	-
R51M	1000	.360"	.560"	.062"	-	-
R52C	100	.500"	.700"	.062"	-	-
R52M	1000	.500"	.700"	.062"	-	-
R53C	100	.500"	.700"	.062"	-	-
R53M	1000	.500"	.700"	.062"	-	-

T124- Solder Washers



Multi-functional solder washer kits, with three sizes of washers. Different sizes provided to fit over sockets and tails of most Vector socket pins and wiring terminals. Ideal tools for committing pins to voltage and ground planes in Vectorbord patterns, such as Voltage/Ground Plane and Vectorbord plus™, that have clearance area isolating holes from planes.

T124/M

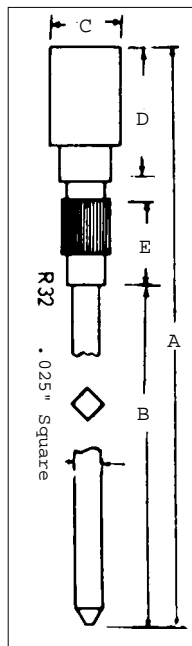
QTY	I.D.	O.D.	Application
500	.078"	.110"	Vcc side
500	.058"	.103"	GND side
100	.040"	.106"	Connector

T124-040/500

QTY	I.D.	O.D.	Application
500	.040"	.106"	Connector

R32 - Socket Pins for .042 diameter holes

- Low profile wire-wrap socket pins
- Pressfit mounting
- Four-finger contacts, tapered sockets for easy insertion



Part #	Qty	A	B	C	D	E	Male Pin Depth
R32/C	100	.745"	.500"	.072"	.155"	.075"	.13"
R32/M	1000	.745"	.500"	.072"	.155"	.075"	.13"

R30

- Low profile, pressfit pins, for hand or dip solder applications
- Solder post is 0.110" long, extends 0.19" below and 0.030" above board surface

R31

- Low profile wire-wrap
- Four-finger contacts, tapered socket for easy insertion

R50

- Two-level wire-wrap pins, .025" square posts
- Four-finger contacts, tapered socket for easy insertion
- Gold-plated contact surfaces

R51

- Two-level wire-wrap pins, .025" square posts
- Six-finger contacts, low insertion force sockets
- Gold-plated contact surfaces

R52

- Three-level wire-wrap pins, .025" square posts
- Four-finger contacts, tapered sockets for easy insertion
- Gold-plated contact surfaces

R53

- Three-level wire-wrap pins, .025" square posts
- Six-finger contacts, low insertion force sockets
- Gold-plated contact surfaces

X-ON Electronics

Largest Supplier of Electrical and Electronic Components

Click to view similar products for [PCBs & Breadboards category](#):

Click to view products by [Vector manufacturer](#):

Other Similar products are found below :

[8004](#) [8007](#) [8016](#) [8017](#) [8028](#) [8029](#) [1268-12](#) [1268-10](#) [1320833-1](#) [923252-R](#) [3410](#) [3396](#) [15107](#) [8006](#) [8015](#) [8018](#) [8019](#) [8020](#) [1268-19](#) [1268-20](#) [8026](#) [1239-19](#) [SBBTH1520-1](#) [SBBTH1506-1](#) [SBBTH4080-1](#) [SBBTH3030-1](#) [SBBTH1512-1](#) [SBBTH1508-1](#) [SBBSM2120-1](#) [SBB2808-1](#) [SBB2805-1](#) [SBB1605-1](#) [SBB1602-1](#) [SBB1005-1](#) [SBB1002-1](#) [3426](#) [32P15WE](#) [ZAS1X206203XRPU160](#) [SBBTH3040-1](#) [SBB0004-1](#) [SBB830-QTY10](#) [7115](#) [923749-I](#) [RE013-LF](#) [RE014-LF](#) [RE015-LF](#) [RE1210-LF](#) [RE200-C3](#) [RE210-S1](#) [RE317-HP](#)