



Phone Holder

Height Adjustable Phone Stand

Aluminum alloy type

Free your hands



Adjustable
Angle



Adjustable
Height



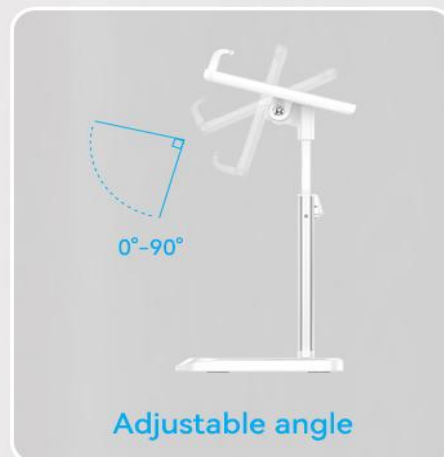
For
Phone/Tablet



Steady &
Anti-slip

Find Your Cozy View

Adjustable height and angle
release the stress of your cervical spine



Note: All data are from Vention Lab

Applicable for Both Phone & Tablet

Support 4" -12.9" phone and tablet devices



Note: All data are from Vention Lab

Premium Material and Quality

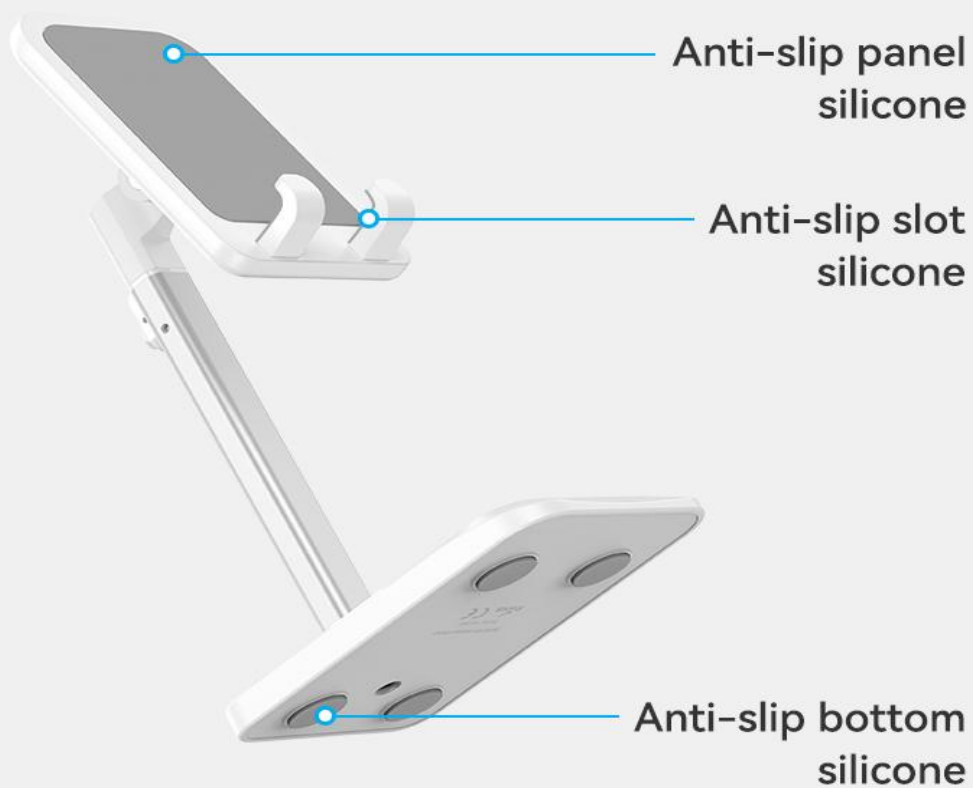


- 1 Rotating damping parts**
Stable holding without falling
- 2 Spring clip**
Steady holding, simple stretching
- 3 Aluminum alloy pillar**
Enhanced load capacity
- 4 ABS shell**
Solid and wear resistance
- 5 Zinc-plated iron plate**
Weighted base for lower center of gravity
- 6 Four-direction silicone pad**
Upgraded anti-slip function

Note: this product can bear the weight of 80-500g, all data come from Vention Lab
The internal structure is a rendering, please refer to the actual product

Multiple Silicone Pads

Silicone pads set on back phone slot and bottom



Tiny Space Occupation

Place the stand on desktop or near the bed without large space occupation



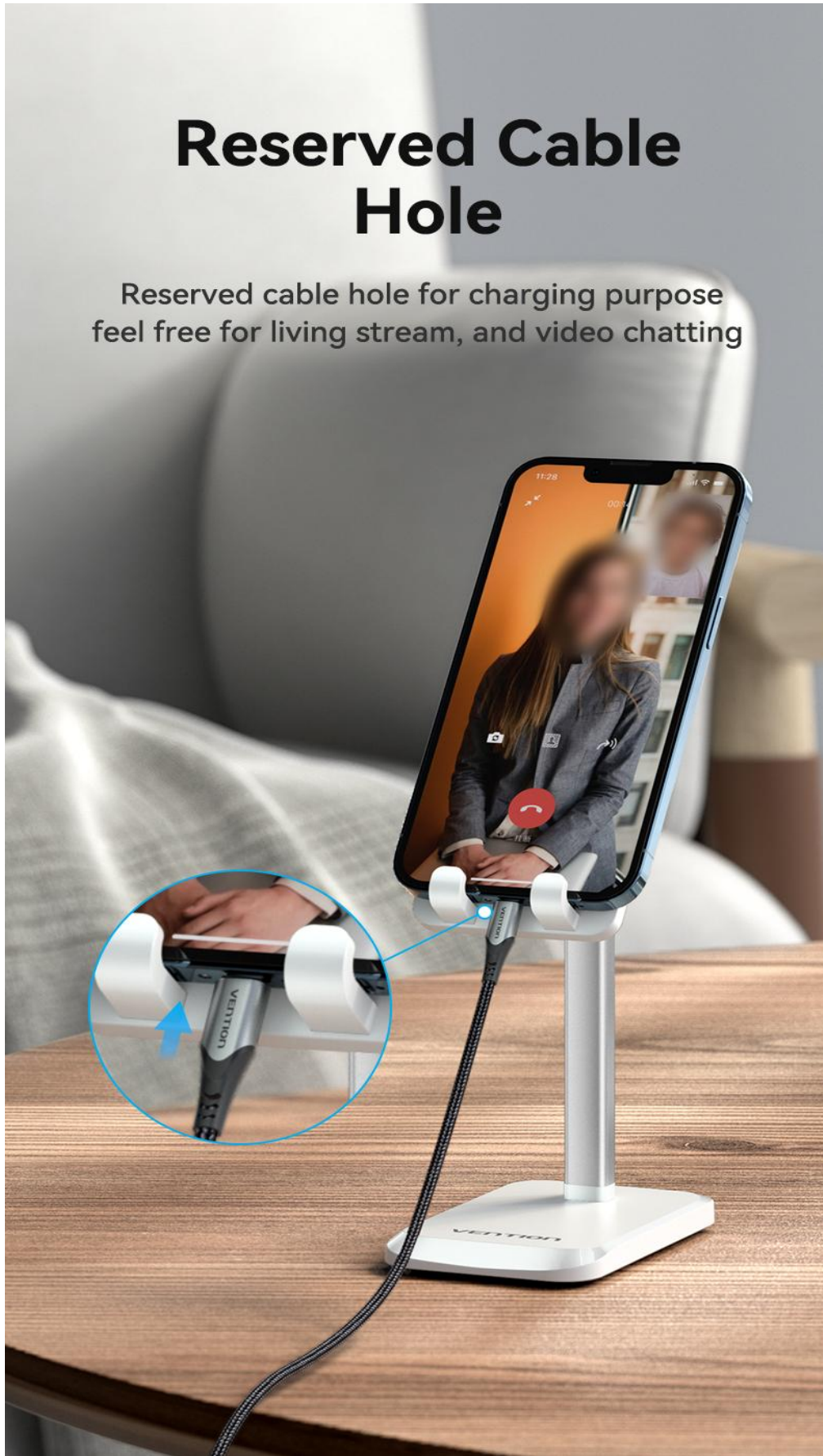
Full Screen Demonstration

Edge side of plate is lower than
the subtitle for full image viewing



Reserved Cable Hole

Reserved cable hole for charging purpose
feel free for living stream, and video chatting



Single-hand Operation

Place your phone for direct use



Brilliant Life from Now on

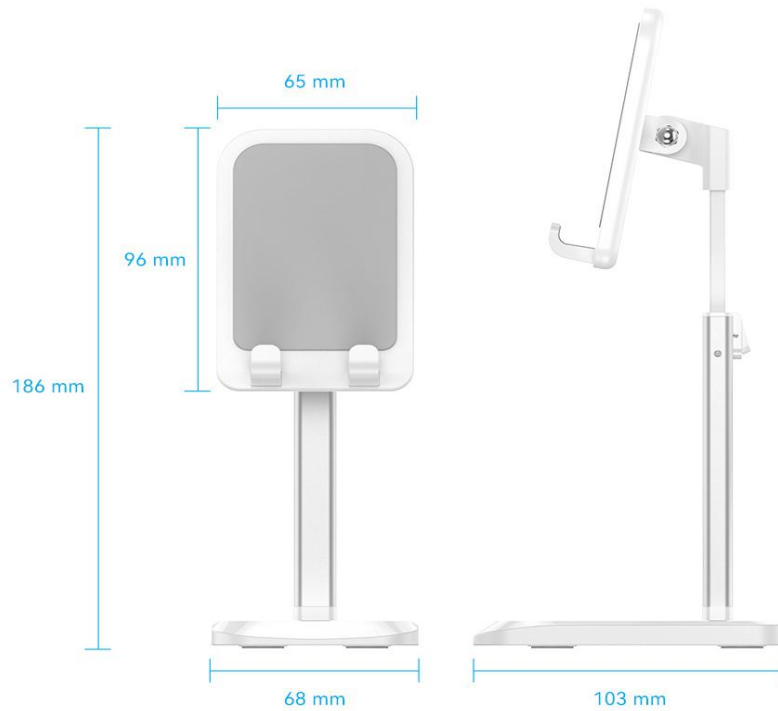
Cozy life should be everywhere



Product Parameters

Brand	Vention
Name	Height Adjustable Desktop Cell Phone Stand
Model	KCQW
Color	White
Shell	PC+ABS+Aluminum Alloy+Silicone Pad
Warranty	1 Year
Packing	Color Box
Accessories	Hexagonal Wrench*1

Product Size



Note: All data are from Vention Lab
Sizes above are manually measured. There might be slight tolerance

Package Display



Note: Packing difference exists for different meters or batches.
The photo is for reference only

Length	Art.No.	EAN Code
/	KCQW0	6922794764781



Package Contents

Phone Holder x 1

Packaging Information

Packing Dimension	cm	
Packing Weight	kg	
Carton Dimension	48*29*30cm	
Carton Qty	27pcs	www.ventioncable.com
Carton Weight	6.5kg	
Package	Color box	

X-ON Electronics

Largest Supplier of Electrical and Electronic Components

Click to view similar products for [Mounting Fixings](#) category:

Click to view products by [Vention](#) manufacturer:

Other Similar products are found below :

[5912235-1 REV](#) - [71-215091-8S](#) [75-69211-3P](#) [75-69214-6P](#) [75-69220-27S](#) [7717-8DAP](#) [85048GBESR](#) [PMS27488-001-01](#) [1-18023-0](#) [H-118-2](#) [1301790551](#) [BR16A](#) [NT20SATT01](#) [22594-8](#) [89078GBEPR](#) [89078GBESR](#) [9150700000](#) [SF4011-60101](#) [1671](#) [1855-54](#) [1996901-1](#) [2079844-1](#) [2193](#) [2518](#) [H-118-1](#) [BACC47CN2S](#) [LF9Z-1SB22](#) [WMLX-109](#) [364202K01V167](#) [ELXA051G1](#) [2547](#) [1453315-11](#) [71-452350-8S](#) [71-572965-8S](#) [75-69214-7J](#) [75-69811-3S](#) [H373247-15](#) [81517301](#) [P954-1](#) [860099-1](#) [1189-90](#) [1106352-2](#) [5D0515-20S REV A](#) [M39014/01-1570](#) [30809-700](#) [6024](#) [734032001](#) [197-007](#) [BRKT-ND](#) [197-003](#)