

## Active Optical Cables

### VIA USB 3.0 Hybrid AOC

VIA USB 3.0 Hybrid Active Optical Cable for long range connections



#### Features

- Supports High Speed 5Gbps data transfer
- Long distance transmission >50m
- Plug and play compatible - USB 1.0/1.1/2.0 to USB 3.0 conversion supported
- High EMI and ESD resistance
- No external power adapter required – 5V/900mA power supply

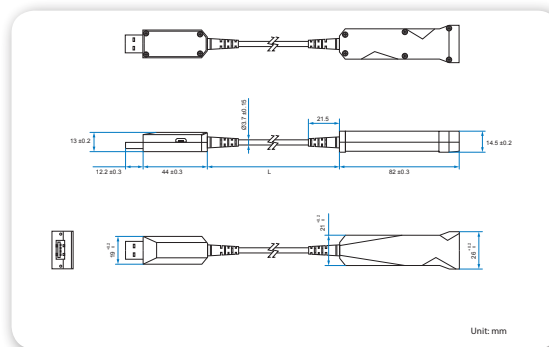
#### Specifications

Model Name	USB 3.0 Hybrid Active Optical Cable (AOC)	
Interface	Host Side	USB 3.0 male (with locking screws)
	Device Side	USB 3.0 female (with locking threads)
Data Rate	USB 3.0 Super Speed up to 5Gbps Backward compatible with USB 2.0/1.1	
Cable Length	10M / 20M / 30M / 50M	
Power	Host Side	USB Bus power supply
	Device Side	Maximum current supplied: 5V 900mA (10m/20m/30m) 5V 600mA (50m)
Power Consumption	0.94W	
Cable Diameter	3mm (0.12")	
Bend Radius (Dynamic/Static)	60mm/30mm	
Tensile Strength (Long Term/Short Term)	100N/200N	
Crush Resistance (Long Term/Short Term)	200N/400N	
USB 3.0 Interface Dimensions	Host Side	27mm(W) x 13mm(H) x 44mm(D) (1.06" x 0.51" x 1.73")
	Device Side	26mm(W) x 14.5mm(H) x 82mm(D) (1.02" x 0.57" x 3.23")
Operating Temperature	0°C ~ 55°C	
Storage Temperature	-20°C ~ 80°C	
Mechanical Construction	Silver metal housing	
Certification	CE, FCC	

#### Ordering Information

Part Number	Description
99G33-10093L	10M USB 3.0 Hybrid male to female Active Optical Cable
99G33-10094L	20M USB 3.0 Hybrid male to female Active Optical Cable
99G33-10095L	30M USB 3.0 Hybrid male to female Active Optical Cable
99G33-10096L	50M USB 3.0 Hybrid male to female Active Optical Cable

#### Dimensions



\* All product specifications are subject to change without notice. Update: Sept. 26, 2017

[www.viatech.com](http://www.viatech.com)

## X-ON Electronics

Largest Supplier of Electrical and Electronic Components

*Click to view similar products for [USB Cables / IEEE 1394 Cables](#) category:*

*Click to view products by [VIA manufacturer](#):*

Other Similar products are found below :

[68768-0173](#) [FNY-W6003-01](#) [88764-0800](#) [148700-1](#) [17-200621](#) [17-250051P](#) [954](#) [17-200261](#) [AC102012-1](#) [AC102012-2](#) [FTP-629Y601](#) [45-1345-15](#) [45-1358-15](#) [45-1363-15](#) [IP-USB1\(C10\)S-RW](#) [CABLE/RTP/USB/DT](#) [45-1351-15](#) [45-1357-15](#) [45-1433-1](#) [687680278](#)  
[USBFTVX2SA2N03A](#) [USBFTV2SA2N03A](#) [USBFTV2SA2N05A](#) [MDM9PH004B](#) [MDM9PH004P](#) [FTP-629Y401](#) [FTP-628Y302](#) [FTP-628Y402](#) [CSMNB9MF-5](#) [FNY-W6022](#) [UA-30AMF-SD7B03](#) [UA-30AMFM-SL7B03](#) [USBAPSCC7202A](#) [17-200641](#) [UES-1001A160](#) [UES-1003A160](#) [USBFTVX7SA2N20A](#) [FTP-629Y602](#) [USBCAMCM100](#) [USB A/F\\*2 to 2.54 2\\*5P-SH L=400mm](#) [68784-0075](#) [MINI-SCREW-USB-DATACABLE](#) [19800-010500-200-RS](#) [103-1092-BL-F0050](#) [103-1020-BL-00100](#) [103-1092-BL-F0200](#) [103-1092-BL-F0100](#) [105-1092-BL-00300](#) [105-1092-BL-00200](#) [105-1031-BL-00200](#)