

Active Optical Cables

VIA USB 3.0 AOC

VIA USB 3.0 Active Optical Cable for long range connections



Features

- Supports High Speed 5Gbps data transfer
- Long distance transmission up to 100m (328ft)
- Plug and play compatible
- High EMI/RFI and ESD resistance
- Low power consumption

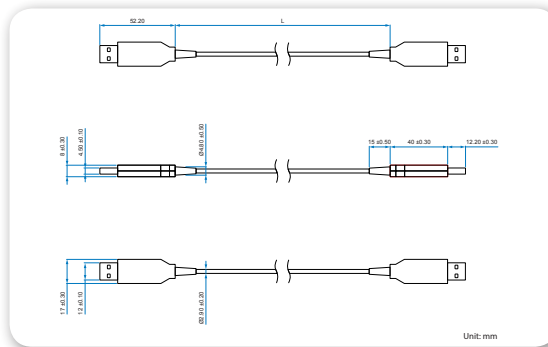
Specifications

Model Name	USB 3.0 Active Optical Cable (AOC)	
Interface	Host Side	USB 3.0 male (Standard-A Plug)
	Device Side	USB 3.0 male (Standard-A Plug)
Data Rate	USB 3.0 Super Speed up to 5Gbps Backward compatible with USB 2.0/1.1 when using SuperTT dongle, or when working with devices with built-in SuperTT	
Cable Length	10m / 20m / 30m / 50m / 100m	
Power Consumption	0.58W	
Operating Voltage	4.75V ~ 5.25V	
Supply Current	116mA	
Cable Diameter	3mm (0.12")	
Bend Radius (Dynamic/Static)	60mm/30mm	
Tensile Strength (Long Term/Short Term)	150N/300N	
Crush Resistance (Long Term/Short Term)	500N/1000N	
USB 3.0 Interface Dimensions	17mm(W) x 8mm(H) x 40mm(D) (0.67" x 0.31" x 1.57")	
Operating Temperature	0°C ~ 50°C	
Storage Temperature	-20°C ~ 70°C	
Mechanical Construction	Silver metal housing	
Certification	CE, FCC	

Ordering Information

Part Number	Description
99G33-10101L	10m USB 3.0 Active Optical Cable
99G33-10102L	20m USB 3.0 Active Optical Cable
99G33-10103L	30m USB 3.0 Active Optical Cable
99G33-10104L	50m USB 3.0 Active Optical Cable
99G33-10105L	100m USB 3.0 Active Optical Cable

Dimensions



* All product specifications are subject to change without notice. Update: Apr. 24, 2018

www.viatech.com

X-ON Electronics

Largest Supplier of Electrical and Electronic Components

Click to view similar products for [USB Cables / IEEE 1394 Cables](#) category:

Click to view products by [VIA manufacturer](#):

Other Similar products are found below :

[68768-0173](#) [FNY-W6003-01](#) [88764-0800](#) [148700-1](#) [17-200621](#) [17-250051P](#) [954](#) [17-200261](#) [AC102012-1](#) [AC102012-2](#) [FTP-629Y601](#) [45-1345-15](#) [45-1358-15](#) [45-1363-15](#) [IP-USB1\(C10\)S-RW](#) [CABLE/RTP/USB/DT](#) [45-1351-15](#) [45-1357-15](#) [45-1433-1](#) [687680278](#)
[USBFTVX2SA2N03A](#) [USBFTV2SA2N03A](#) [USBFTV2SA2N05A](#) [MDM9PH004B](#) [MDM9PH004P](#) [FTP-629Y401](#) [FTP-628Y302](#) [FTP-628Y402](#) [CSMNB9MF-5](#) [FNY-W6022](#) [UA-30AMF-SD7B03](#) [UA-30AMFM-SL7B03](#) [USBAPSCC7202A](#) [17-200641](#) [UES-1001A160](#) [UES-1003A160](#) [USBFTVX7SA2N20A](#) [FTP-629Y602](#) [USBCAMCM100](#) [USB A/F*2 to 2.54 2*5P-SH L=400mm](#) [68784-0075](#) [MINI-SCREW-USB-DATACABLE](#) [19800-010500-200-RS](#) [103-1092-BL-F0050](#) [103-1020-BL-00100](#) [103-1092-BL-F0200](#) [103-1092-BL-F0100](#) [105-1092-BL-00300](#) [105-1092-BL-00200](#) [105-1031-BL-00200](#)