

## Active Optical Cables

### VIA HDMI 2.0 AOC

VIA HDMI 2.0 Active Optical Cable for long range connections



### Features

- Supports 18Gbps 4K@60Hz UHD display
- Plug & Play compatible
- Long distance transmission over 100m
- High EMI and RFI resistance
- No external power supply required

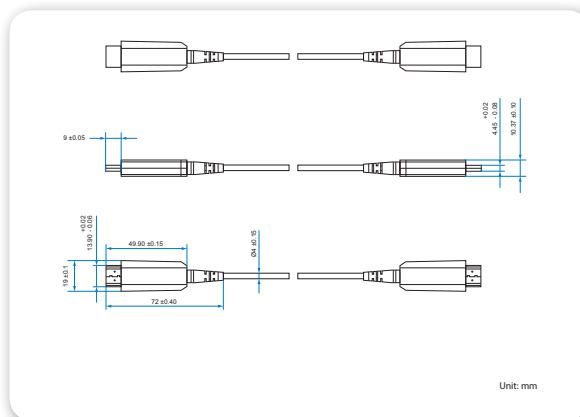
### Specifications

| Model Name                                | HDMI 2.0 Active Optical Cable (AOC)                         |
|-------------------------------------------|-------------------------------------------------------------|
| Interface                                 | HDMI 2.0 Standard                                           |
| Bandwidth                                 | 18Gbps, supports 4k@60hz UHD display                        |
| Cable Length                              | 10M / 20M / 30M / 50M / 100M                                |
| Power Consumption                         | 250mW                                                       |
| Cable Diameter                            | 4.0mm (0.16")                                               |
| Bend Radius (Dynamic/Static)              | 20mm / 10mm                                                 |
| Tensile Strength (Long Term / Short Term) | 100N / 200N                                                 |
| Crush Resistance (Long Term / Short Term) | 200N / 400N                                                 |
| HDMI Interface Dimensions                 | 19mm(W) x 10.4mm(H) x 49.9mm(D) (0.75" x 0.4149.9" x 1.96") |
| Operating Temperature                     | 0°C ~ 50°C                                                  |
| Storage Temperature                       | -20°C ~ 70°C                                                |
| Mechanical Constructicon                  | Silver metal housing                                        |
| Certification                             | CE, FCC                                                     |

### Ordering Information

| Part Number  | Description                                 |
|--------------|---------------------------------------------|
| 99G33-30022D | 10M HDMI 2.0 Standard Active Optical Cable  |
| 99G33-30023D | 20M HDMI 2.0 Standard Active Optical Cable  |
| 99G33-30024D | 30M HDMI 2.0 Standard Active Optical Cable  |
| 99G33-30026D | 50M HDMI 2.0 Standard Active Optical Cable  |
| 99G33-30027D | 100M HDMI 2.0 Standard Active Optical Cable |

### Dimensions



CE FCC

## X-ON Electronics

Largest Supplier of Electrical and Electronic Components

*Click to view similar products for [HDMI Cables](#) category:*

*Click to view products by [VIA](#) manufacturer:*

Other Similar products are found below :

[426301400-3](#) [68767-0003](#) [CA-MINIDP-HDMIF-10FT](#) [HP-19AFMM-SL7A01](#) [HP-19AFMM-SL7A05](#) [S-HDI-DVI-2](#) [S-HDI-DVI-5](#) [10HM-15128-01](#) [HD0003](#) [31888](#) [31889](#) [31893](#) [31897](#) [31907](#) [31908](#) [31911](#) [31913](#) [31914](#) [31915](#) [31919](#) [31920](#) [31921](#) [31923](#) [31925](#) [31926](#) [31929](#)  
[31930](#) [31932](#) [31935](#) [31936](#) [31937](#) [31938](#) [CV0036B](#) [CV0038](#) [CV0055](#) [CV0057](#) [CV0058](#) [CV0058B](#) [CV0059B](#) [50580](#) [50581](#) [50582](#)  
[50989](#) [51579](#) [51586](#) [51758](#) [51957](#) [52859](#) [31890](#) [31891](#)