

## Edge AI Systems

### VIA ARTiGO A3000

Fanless ultra-compact Quad-Core ARM system for Edge AI applications



### Features

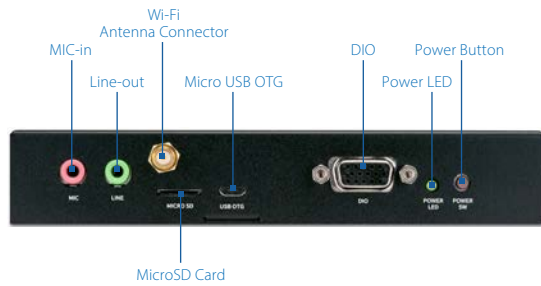
- High-performance MediaTek Genio 350 Quad-Core SoC
- Integrated AI processor for Edge AI applications supporting up to 0.3 TOPS
- Dual-band 802.11ac Wi-Fi
- Full HD hardware accelerated H.265/H.264 video encoding and decoding
- Optional 4G/5G support including onboard SIM card slot

### Specifications

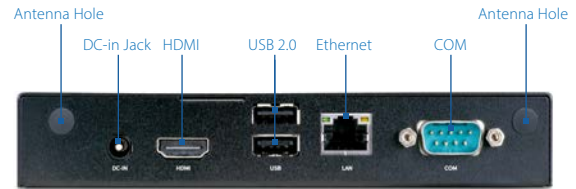
<b>Model Name</b>	<b>ARTiGO A3000</b>
<b>Processor</b>	2.0GHz MediaTek Genio 350 Cortex-A53 Quad-Core SoC
<b>System Memory</b>	2GB LPDDR4 DRAM
<b>Storage</b>	16GB eMMC Flash Memory
<b>Graphics</b>	ARM Mali-G52 3EE MC1 GPU 3D graphic accelerator capable of processing 1600M pixel/sec @ 800MHz Graphics engine supporting OpenGL® ES 3.2, OpenCL ES 2.0, and Vulkan 1.1 hardware acceleration Supports H.265 and H.264 video encoding and decoding up to 1080p @ 60fps
<b>AI Processor</b>	Cadence® Tensilica® Vision P6 NPU (supports up to 0.3 TOPS)
<b>Audio DSP</b>	Cadence® Tensilica® HiFi 4
<b>Wireless Connectivity</b>	MediaTek MT6631 - Dual-band 802.11AC Wi-Fi
<b>Audio</b>	MediaTek MT6357/MT6390
<b>HDMI</b>	Lontium LT8618SXB Digital Parallel Interface to HDMI 1.4 transmitter
<b>USB</b>	Genesys GL852GT-MNG USB 2.0 MTT HUB
<b>Ethernet</b>	Realtek RTL8152BNI-VB-CG USB2.0 to 10/100M Ethernet controller
<b>Expansion I/O</b>	MiniPCIe slot SIM card slot
<b>Front Panel I/O</b>	Micro USB 2.0 OTG port DIO port (supports 10 GPIO with 3.3V power) MicroSD card slot 2 Audio jacks: Line-out and Mic-in WiFi antenna connector Power LED Power button
<b>Back Panel I/O</b>	HDMI port 2 USB 2.0 ports COM port for RS-232 (TX/RX) 10/100Mbps Ethernet port 2 Antenna holes for 4G/5G DC-in jack
<b>Power Supply</b>	12V DC-in (supports 9V~15V)
<b>Operating System</b>	Android 12 / Yocto 3.1
<b>Operating Temperature</b>	0°C ~ 60°C
<b>Storage Temperature</b>	-10°C ~ 60°C
<b>Operating Humidity</b>	0~90% (non-condensing)
<b>Mechanical Construction</b>	Metal Chassis
<b>Mounting</b>	Wall/VESA mountable
<b>Dimensions</b>	154.4mm(W) x 27mm(H) x 106.5mm(D) (6.08" x 1.06" x 4.19")
<b>Weight</b>	1.3kg (2.8lbs)
<b>Compliance</b>	CE, FCC, TELEC, UKCA



## Front Panel I/O



## Back Panel I/O



## Ordering Information

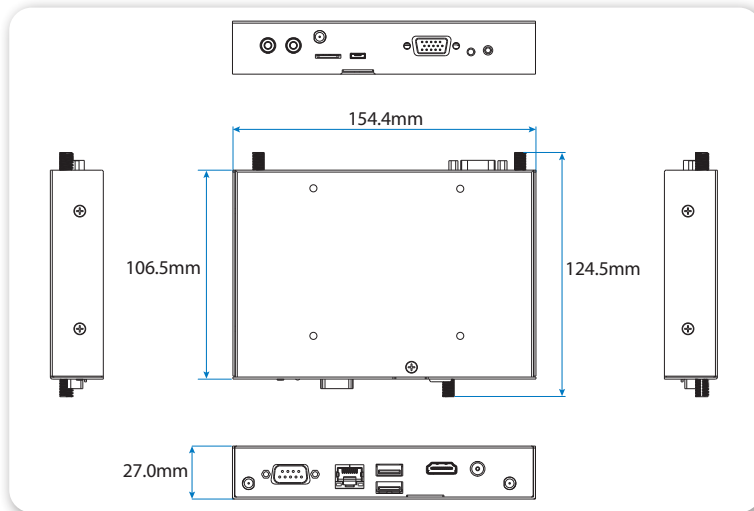
Part Number	SoC Frequency	Description
ATG-A3000-1Q20A0	MediaTek Genio 350 Quad-Core SoC @ 2.0GHz	VIA ARTiGO A3000 system with 2.0GHz MediaTek Genio 350 Quad-Core SoC, 16GB eMMC, 2GB LPDDR4 SDRAM, HDMI, 2 USB 2.0, Micro USB OTG, DIO, COM, Ethernet, Wi-Fi 5, MicroSD card slot, MiniPCle slot, SIM card slot, 12V DC-in

## Optional Accessories

### Wireless Module Options

Part Number	Description
EMIO-2575-00A0	Quectel EC25JFA 4G LTE mobile broadband miniPCle module with two antennas and assembly (Japan only)

## Dimensions



## Packing List

Items
ARTiGO A3000 system
AC-to-DC adapter
Power cord (Japan type)
Wi-Fi Antenna

## X-ON Electronics

Largest Supplier of Electrical and Electronic Components

*Click to view similar products for [Embedded Box Computers](#) category:*

*Click to view products by [VIA](#) manufacturer:*

Other Similar products are found below :

[BXNUC9i5QNX](#) [BXNUC9i5QNX1](#) [BXNUC10I3FNHN1](#) [BXNUC10I5FNKN1](#) [RNUC11BTMI90001](#) [BXNUC10I3FNHN](#) [EPC-R4710NO-XAA1E](#) [HMIG3U](#) [UBC-DS31CD-PAA1E](#) [UBC-200CQ-MEA1E](#) [UBC-200CD-MDA1E](#) [UTX-3115SA4P-S6A2E](#) [TREK-303R-HA0E](#) [ITA-1710-01A1E](#) [AVS-540-00A1E](#) [AIIS-1240-00A1E](#) [TANK-870AI-i5/8G/2A-R10](#) [PRFE21000038](#) [UPN-EDGE-EHLCN2-A10-0232](#) [UPS-EDAI-X70864-U01-DC01](#) [UPX-EDGEI7-A10-1664-F01](#) [UPX-EDGE-TGLI5-A10-0000-0001](#) [UPX-EDGE-TGLI3-A10-0000-0001](#) [EOS-JNX-G](#) [ROScube-I, IntelR Core? i7, RQI-57](#) [RQX-590](#) [AIR-030-S30A1](#) [DS-100GL-S8A1E](#) [EPC-R4680CQ-XAA1E](#) [ITA-1611-10A1E](#) [UNO-247-J1N1AE](#) [USM-110C-BD113](#) [AIE100-903-FL](#) [eBOX626-311-FL](#) [EBOX671-517-FL-DC](#) [ASM30002](#) [AMI230AFM](#) [DRPC-240-TGL-U-i5CS-R10](#) [PAC-1000GBPX-R30/300W](#) [BKCM8v5CB8N](#) [BKCM8v7CB8N](#) [BKCM8i3CB4N](#) [BKNUC9V7QNX](#) [BKNUC9VXQNB](#) [BKNUC9VXQNX](#) [BKNUC9VXQNX1](#) [BNUC11TNBV50000](#) [BNUC11TNBI70000](#) [BNUC11TNHV70001](#) [BNUC11TNKV50000](#)