

## Mini-ITX Series

NEW

VIA

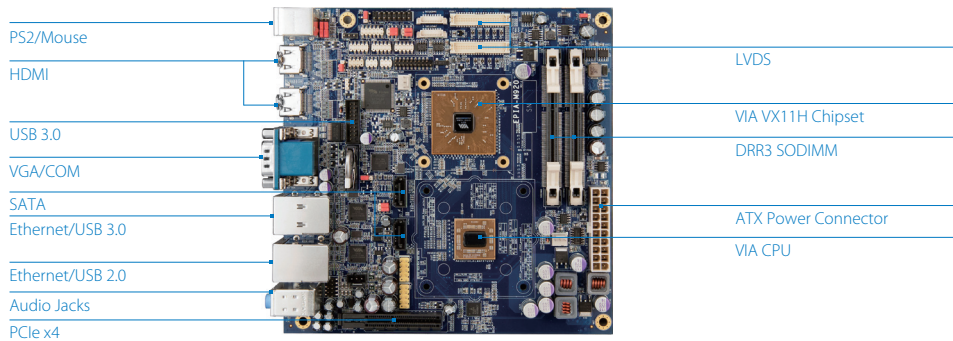
# EPIA-M920

Highly-integrated low-power platform with rich feature set and multimedia capabilities

## Features

- Compact 17cm x 17cm Mini-ITX form factor
- Fanless 1.6GHz VIA Eden® X4 and 1.0GHz VIA Eden® X2 processor options
- Dual Gigabit Ethernet
- DX11 graphics with MPEG-2/WMV9/VC1/H.264 decoding acceleration
- Rich feature set

## Board Placement

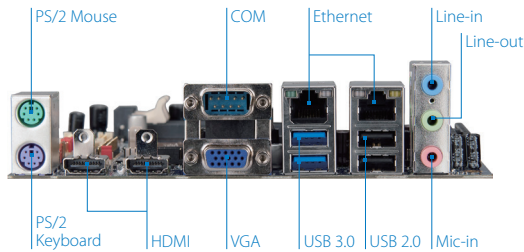


## Specifications

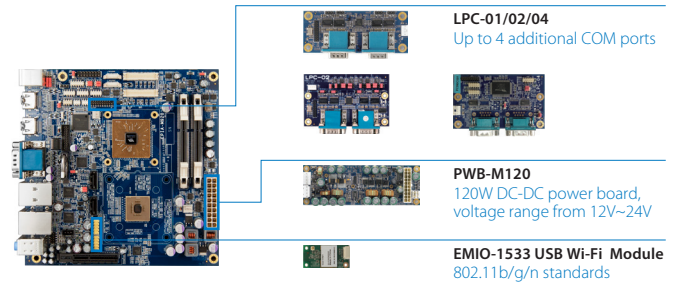
Model Name	EPIA-M920-20Q	EPIA-M920-16QE	EPIA-M920-10E
<b>Processor</b>	2.0GHz VIA QuadCore E-Series (with Fan)	1.6GHz VIA Eden® X4 (Fanless)	1.0GHz VIA Eden® X2 (Fanless)
<b>Chipset</b>	VIA VX11H Media System Processor		
<b>BIOS</b>	AMI Aptio UEFI BIOS, 4MB Flash memory		
<b>System Memory</b>	2 DDR3 1333 SODIMM slots Up to 8GB memory per slot		
<b>Storage</b>	2 SATA connectors		
<b>Graphics</b>	Integrated Chrome® 640 DX11 3D/2D graphics with MPEG-2, WMV9, VC1 and H.264 video decoding acceleration		
<b>LAN</b>	Realtek RTL8111G		VT6130
<b>Audio</b>	VIA VT2021 High Definition Audio Codec		
<b>Super I/O</b>	Fintek F71869E		
<b>Expansion I/O</b>	1 PCIe x4 slot		
<b>Onboard I/O</b>	2 SATA connectors 2 SATA DOM power selectors 1 USB 3.0 pin header for 1 port 2 USB 2.0 pin headers for 4 ports 1 Dual channel 18/24-bit LVDS panel connector 1 Single channel 18/24-bit LVDS panel connector 3 COM port pin headers (powered with selectable 5V/12V) 1 LPC pin header 1 SMBus pin header 1 S/PDIF-out connector 1 Digital I/O pin header (4 GPI + 4 GPO) 1 Front audio pin header for Line-out, Mic-in 2 Smart Fan pin headers for CPU and system 2 Backlight control connectors for inverter power and brightness control 1 SD card (SDHC/SDXC) pin header 1 ATX power connector 1 PCIe x4 slot		
<b>Back Panel I/O</b>	2 USB 3.0 ports 2 USB 2.0 ports 2 HDMI ports 1 VGA port 1 COM (powered with selectable 5V/12V) 2 Gigabit Ethernet ports 3 Audio jacks: Line-in, Line-out, and Mic-in 2 PS/2 keyboard/mouse ports		
<b>Power Supply</b>	ATX power connector		
<b>Operating System</b>	Windows 10/8.1/8/7, WES 7, Linux, POSReady 7		
<b>System Monitoring &amp; Management</b>	Wake-on-LAN, Keyboard Power-on, Timer Power-on, System power management, AC power failure recovery, Watch Dog Timer		
<b>Operating Temperature</b>	0°C ~ 60°C		
<b>Operating Humidity</b>	0% ~ 95% (non-condensing)		
<b>Form Factor</b>	Mini-ITX (17cm x 17cm, 6.7" x 6.7")		
<b>Compliance</b>	CE/FCC		



## Back Panel I/O



## Accessories



## Ordering Information

Model Name	CPU Frequency	Description
EPIA-M920-20Q	VIA QuadCore E-Series @ 2.0GHz	Mini-ITX board with 2.0GHz VIA QuadCore E-Series CPU with 2 HDMI, VGA, 2 LVDS, 3 USB 3.0, 6 USB 2.0, 4 COM, 2 Gigabit Ethernet, 2 SATA, PCIe x4 slot, ATX power connector
EPIA-M920-16QE	VIA Eden® X4 @ 1.6GHz	Mini-ITX board with 1.6GHz VIA Eden® X4 CPU with 2 HDMI, VGA, 2 LVDS, 3 USB 3.0, 6 USB 2.0, 4 COM, 2 Gigabit Ethernet, 2 SATA, PCIe x4 slot, ATX power connector
EPIA-M920-10E	VIA Eden® X2 @ 1.0GHz	Mini-ITX board with 1.0GHz VIA Eden® X2 CPU with 2 HDMI, VGA, 2 LVDS, 3 USB 3.0, 6 USB 2.0, 4 COM, 2 Gigabit Ethernet, 2 SATA, PCIe x4 slot, ATX power connector

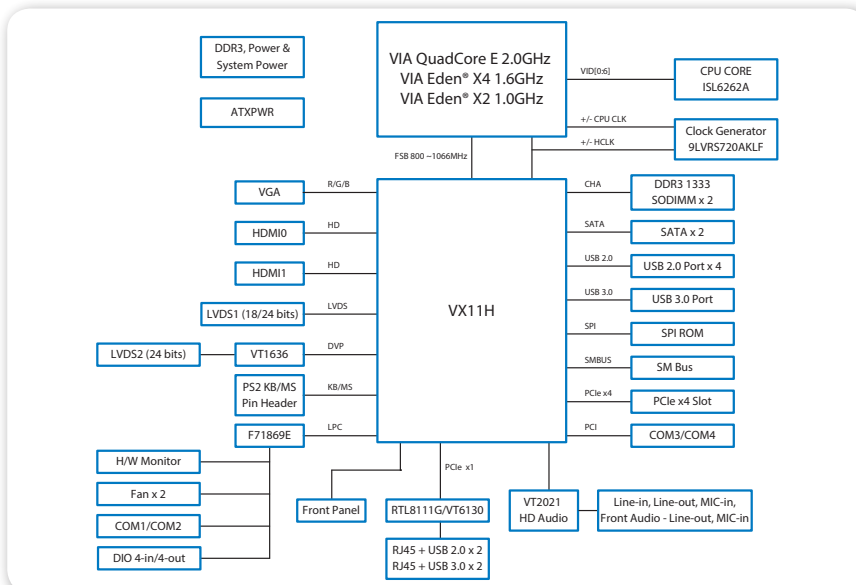
## Optional Accessories

I/O Expansion Cards	
Part Number	Description
LPC-01	Expansion module for four COM ports
LPC-02	Expansion module for four COM ports (5V or 12V)
LPC-04	Expansion module for two or four COM ports (5V or 12V)
PWB-M120	120W DC-DC power board, voltage range from 12V~24V

## Wireless Modules

Part Number	Description
EMIO-1533-00A2	VNT9271 IEEE 802.11 b/g/n USB Wi-Fi module with assembly kit

## Block Diagram



## Packing List

Items
EPIA-M920 board
SATA cable
I/O bracket

\* All product specifications are subject to change without notice. Update: Mar. 10, 2016.

## X-ON Electronics

Largest Supplier of Electrical and Electronic Components

*Click to view similar products for [Single Board Computers](#) category:*

*Click to view products by [VIA manufacturer](#):*

Other Similar products are found below :

[MANO882VPGGA-H81](#) [SSD3200W-S-SLC-INN 20-101-0738](#) [MVME61006E-2173R](#) [SHB230DGGA-RC](#) [IMB210VGGA](#) [IB915F-3955](#)  
[MI958F-16C](#) [S2600WFT](#) [S2600STB](#) [BBS2600BPS](#) [BLKNUC7I3DNHNC1978015](#) [DEV-17745](#) [BEAGLEBOARD POCKET](#) [BPI-M5](#)  
[MICROSOM I2 + WIFI/BT](#) [HUMMINGBOARD-I2EX BASE + WIFI/BT](#) [HUMMINGBOARD-I4 PRO + WIFI/BT](#) [VAB-600-B](#) [RT5350F-](#)  
[OLINUXINO-EVB](#) [MITX-440-DVI-2E](#) [ATCA-7365-D-24GB](#) [NITX-315-DEVKIT](#) [A13-SOM-512](#) [NITX-315](#) [BANANA PI BPI-M1+](#) [A13-](#)  
[SOM-WIFI-4GB](#) [AM3359-SOM-EVB-IND](#) [UPS-APLC2-A10-0432](#) [DFR0419](#) [UPS-APLP4-A10-0864](#) [UPS-APLP4-A10-0432](#) [UPS-APLP4-](#)  
[A10-08128](#) [MI977F-Q27](#) [BBBLUE](#) [IB811F-I30](#) [DFR0470-ENT](#) [Nit6Q\\_i](#) [M2M \(TELIT\)](#) [RELAY](#) [PROFESSIONAL](#) [GCS22.2.080.2.2.I](#)  
[GCS22.8.100.4.2.I](#) [GLS11.2.053.2.2.E](#) [A20-OLINUXINO-LIME-E16GS16M](#) [A20-OLINUXINO-LIME-S16M](#) [A20-OLINUXINO-LIME2-](#)  
[E16GS16M](#) [A20-OLINUXINO-MICRO-E16GS16M](#) [A20-OLINUXINO-MICRO-S16M](#) [BANANA PI BPI-W2](#)