

Mobile360 Solutions

VIA Mobile360 D700

Powerful and feature-rich AI dash cam for commercial-grade fleet management applications

Features

- 1080p front dash and interior cameras
- 4G, Wi-Fi, Bluetooth and GPS wireless connectivity
- Configurable LDW, FCW, and DMS safety features
- SDK with AWS IoT Core and Amazon KVS live video streaming development support
- VIA Fleet Cloud Management Portal (30-day free demo)

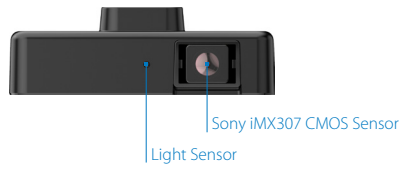


Specifications

| | |
|--------------------------------|--|
| Model Name | Mobile360 D700 |
| Processor | 800MHz ARM Cortex-A53 dual-core SoC |
| System Memory | 512MB DDR3L DRAM |
| Storage | 256MB SPI Flash Memory 1 Micro SD Card slot |
| Wireless Connectivity | 4G LTE module with antenna Wi-Fi 802.11b/g/n/ac + BT 4.2 GPS receiver |
| Camera & Video | Sony iMX307 CMOS Sensor: 1080p 2 1920x1080p @ 29fps FOV: D=116°, H=100°, V=56° Adjust max angle: horizontal left=10°, right=10°, vertical down=30° H.264 encode and decode |
| Sensors | 4 IR LEDs controlled by Light sensor 3-Axis sensor |
| Front Panel I/O | 1 Front camera 1 Light sensor |
| Rear Panel I/O | 1 Rear camera 4 IR LED lights 3 LEDs for power, Wi-Fi and recording status 1 Short record/Two-way call button |
| Left Panel I/O | 1 Speaker |
| Right Panel I/O | 1 Micro USB 2.0 port (for debugging) 1 Micro SD Card slot (512GB max) 1 Micro SIM Card slot 1 12-pin power connector for 6 GPIO (5 GPI, 1 GPO), CAN bus, ACC, power |
| Bottom Panel I/O | 1 Mic |
| Power Supply | 9~36V DC-in |
| Software | Device SDK including Android / iOS smartphone reference apps |
| Cloud Certification | AWS IoT Core Qualified and Kinesis Video Streams Qualified Microsoft IoT Plug and Play Certified |
| Operating System | Linux Kernel 4.1.0 |
| Operating Temperature | -20°C~70°C |
| Mechanical Construction | PC chassis housing |
| Dimensions | 124.52mm(W) x 41.25mm(H) x 95.60mm(D) (4.90" x 1.62" x 3.76") |
| Weight | 0.322kg (0.71lbs) |
| Compliance | CE, FCC, BSMI, TELEC, NCC, CTA |
| Telco Certification | AT&T |



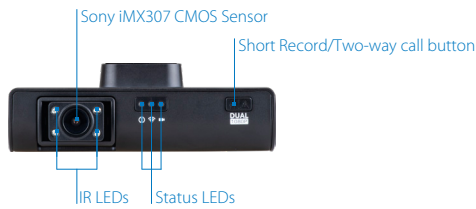
Front Panel I/O



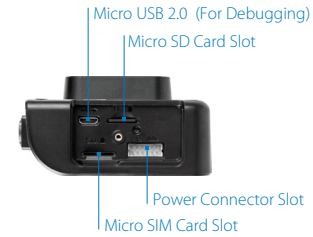
Left Panel I/O



Rear Panel I/O



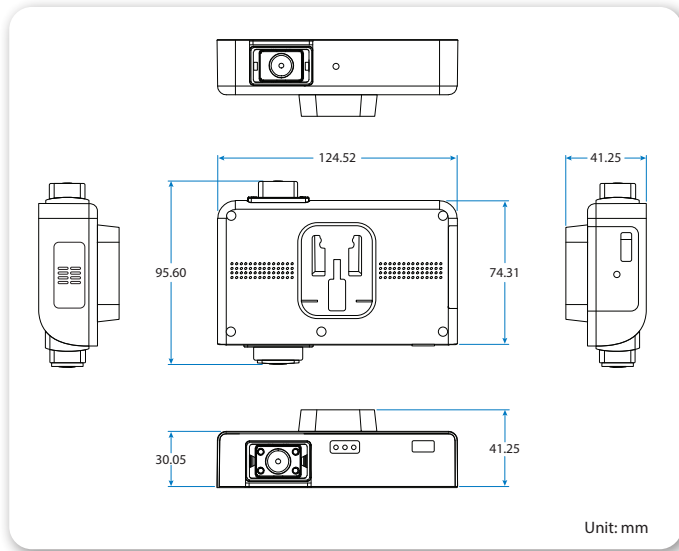
Right Panel I/O



Ordering Information

| Part Number | SoC Frequency | Description |
|--|---------------------------------------|---|
| M360-D700-3D08A0 (For JP region only) | ARM Cortex-A53 dual-core SoC @ 800MHz | Dual 1080p AI dash cam with 800MHz ARM Cortex-A53 dual-core SoC, 512MB DDR3L DRAM, 256MB SPI Flash Memory, Dual 1080p cameras, 4 IR LED lights, Micro USB 2.0 port, Mic, speaker, 4G, Wi-Fi, BT 4.2, GPS, Micro SIM card slot, Micro SD card slot, 12-pin power connector for 6 GPIO, CAN bus & power |
| M360-D700-4D08B0 (For US region only) | ARM Cortex-A53 dual-core SoC @ 800MHz | Dual 1080p AI dash cam with 800MHz ARM Cortex-A53 dual-core SoC, 512MB DDR3L DRAM, 256MB SPI Flash Memory, Dual 1080p cameras, 4 IR LED lights, Micro USB 2.0 port, Mic, speaker, 4G, Wi-Fi, BT 4.2, GPS, Micro SIM card slot, Micro SD card slot, 12-pin power connector for 6 GPIO, CAN bus & power |
| M360-D700-5D08A0 (For APAC region only) | ARM Cortex-A53 dual-core SoC @ 800MHz | Dual 1080p AI dash cam with 800MHz ARM Cortex-A53 dual-core SoC, 512MB DDR3L DRAM, 256MB SPI Flash Memory, Dual 1080p cameras, 4 IR LED lights, Micro USB 2.0 port, Mic, speaker, 4G, Wi-Fi, BT 4.2, GPS, Micro SIM card slot, Micro SD card slot, 12-pin power connector for 6 GPIO, CAN bus & power |
| M360-D700-6D08A0 (For EU region only) | ARM Cortex-A53 dual-core SoC @ 800MHz | Dual 1080p AI dash cam with 800MHz ARM Cortex-A53 dual-core SoC, 512MB DDR3L DRAM, 256MB SPI Flash Memory, Dual 1080p cameras, 4 IR LED lights, Micro USB 2.0 port, Mic, speaker, 4G, Wi-Fi, BT 4.2, GPS, Micro SIM card slot, Micro SD card slot, 12-pin power connector for 6 GPIO, CAN bus & power |
| M360-D700-7D08A0 (For CN region only) | ARM Cortex-A53 dual-core SoC @ 800MHz | Dual 1080p AI dash cam with 800MHz ARM Cortex-A53 dual-core SoC, 512MB DDR3L DRAM, 256MB SPI Flash Memory, Dual 1080p cameras, 4 IR LED lights, Micro USB 2.0 port, Mic, speaker, 4G, Wi-Fi, BT 4.2, GPS, Micro SIM card slot, Micro SD card slot, 12-pin power connector for 6 GPIO, CAN bus & power |

Dimensions



Packing List

Items

- Mobile360 D700 system
- 32GB Micro SD card
- 12V/3A DC power adaptor
- 12-pin power connector to power On/Off switch, 9~36V DC-in Jack, 12-pin CAN bus & GPIO connector
- 12-pin power connector to OBD II Connector and ACC to bullet plug cable
- ACC bullet plug to Standard, Micro, Low-Profile and Mini blade fuse holder cable and fuses
- Suction cup and adhesive tape mounting bracket options
- Allen wrench

X-ON Electronics

Largest Supplier of Electrical and Electronic Components

Click to view similar products for [Cameras & Camera Modules](#) category:

Click to view products by [VIA manufacturer](#):

Other Similar products are found below :

[FH-SC](#) [LI-OV9712-USB-M12](#) [CAMOV5645](#) [73-540-420I](#) [Web Camera module 5.0M pixel](#) [LI-IMX424-GMSL2-070H](#) [FIT0729](#) [AWC-002](#)
[LI-AR0231-GMSL2-CFM-176H-010](#) [LI-USB30-IMX490-GW5400-GMSL2-065H](#) [FIT0730](#) [73-951-0046](#) [73-954-0001T](#) [73-961-0005](#) [1202](#)
[1203](#) [73-961-0003](#) [73-961-0012](#) [107139](#) [107115](#) [107149](#) [107142](#) [82535IVCHVM](#) [107140](#) [107113](#) [107112](#) [107141](#) [107147](#) [107148](#) [107110](#)
[107150](#) [107145](#) [107111](#) [OKY3553](#) [10299](#) [10300](#) [613](#) [82637BRPLHV](#) [EP-DCINTELD-415](#) [1386](#) [4321](#) [4561](#) [NEON-203B-JNX Starter Kit,](#)
[2M, 30fps](#) [NEON-202B-JT2-X Starter Kit, 1.9M, 60fps](#) [NEON-203B-JT2-X Starter Kit, 2M, 30fps](#) [NEON-204B-JT2-X Starter Kit, 5M, 14fps](#)
[NEC_B&W_SGA_FOV120_F4.0](#) [AD-3DSMARTCAM1-PRZ](#) [43203](#) [104002](#)