



QUICK GUIDE

# VIA Edge AI Developer Kit

# 1. Packing List

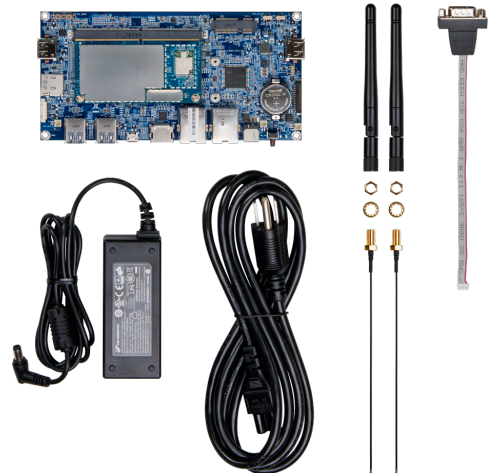
## Items for STK-VT6093-01A1

- 1 x SOM-9X20 module
- 1 x SOMDB2 carrier board
- 1 x VT6093 audio module
- 1 x COM cable
- 1 x AC adapter
- 1 x Power cord US type
- 2 x Antennas for Wi-Fi & Bluetooth
- 1 x VT6093-CAM-T Camera-CSI converter board
- 1 x 13MP CMOS camera module
- 1 x FPC cable for CSI connector



## Items for STK-VT6093-00A1

- 1 x SOM-9X20 module
- 1 x SOMDB2 carrier board
- 1 x VT6093 audio module
- 1 x COM cable
- 1 x AC adapter
- 1 x Power cord US type
- 2 x Antennas for Wi-Fi & Bluetooth



# 2. Optional Accessories

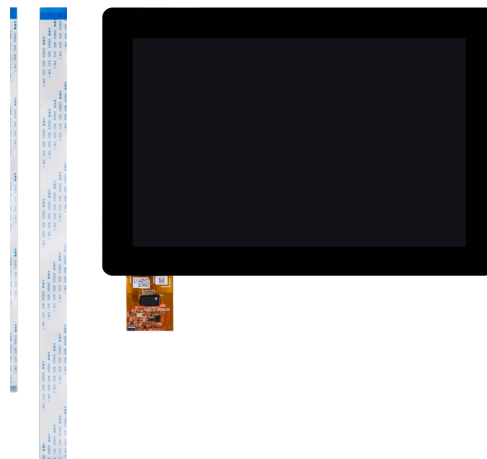
## Touch Panel

### Part Number

99G47-01025F

### Description

10.1" MIPI 16:10 (WUXGA 1920 x 1200, 16.7M) LCD Touch panel with USB FPC touch cable and MIPI FPC cable

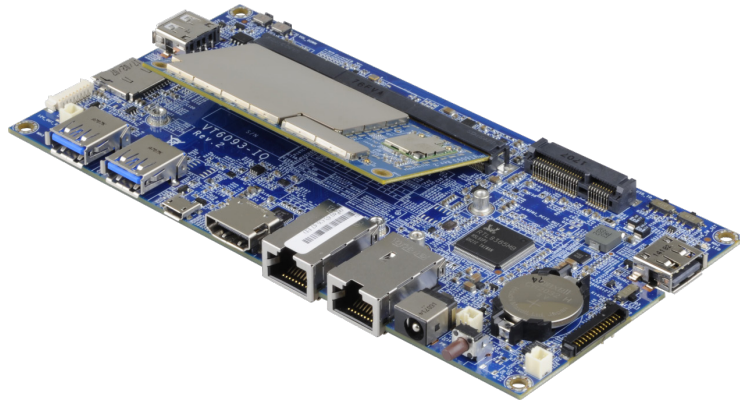


## 3. Developer Kit Assembly

### 3.1 Installing the SOM-9X20 Module on the SOMDB2 Carrier Board

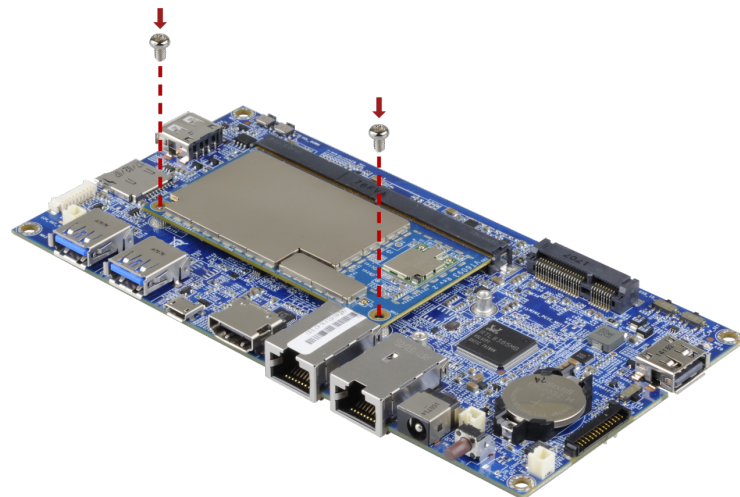
#### Step 1

Align the notch on the SOM-9X20 module with its counterpart on the MXM 3.0 slot on the SOMDB2 carrier board. Then insert the module at a 30° angle.



#### Step 2

Once the SOM-9X20 module has been fully inserted, push down the module until the standoff holes align with the screw holes and then secure the module with the provided screws.



## 3.2 Connecting the 13MP CMOS Camera Module

### Step 1

Connect the FPC cable to the VT6093-CAM-T (Camera-CSI converter board).



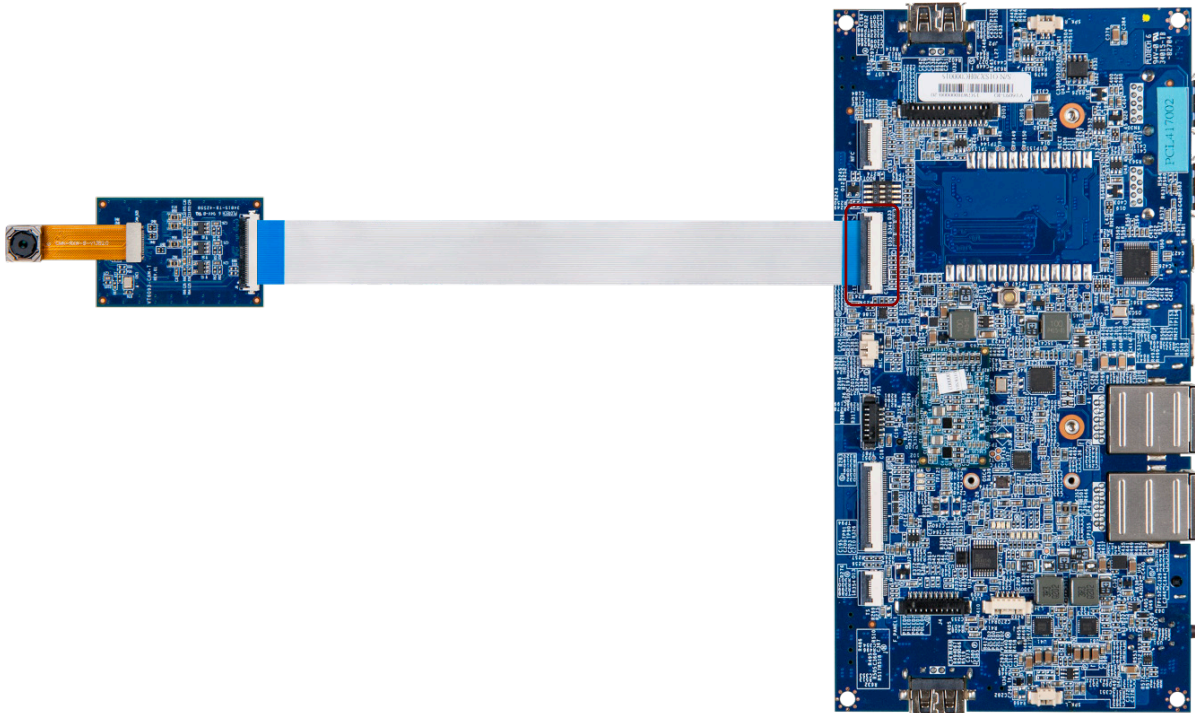
### Step 2

Connect the 13MP CMOS camera module to the VT6093-CAM-T (Camera-CSI converter board).



### Step 3

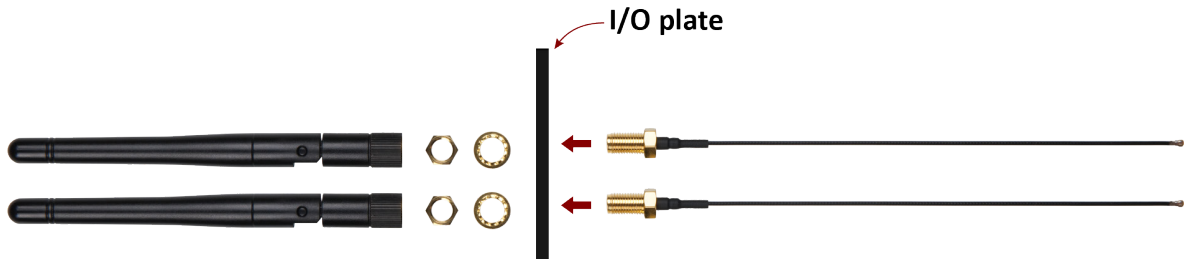
Connect the other end of the FPC cable to the MIPI CSI connector on the SOMDB2 carrier board.



### 3.3 Connecting Wi-Fi and Bluetooth Antennas

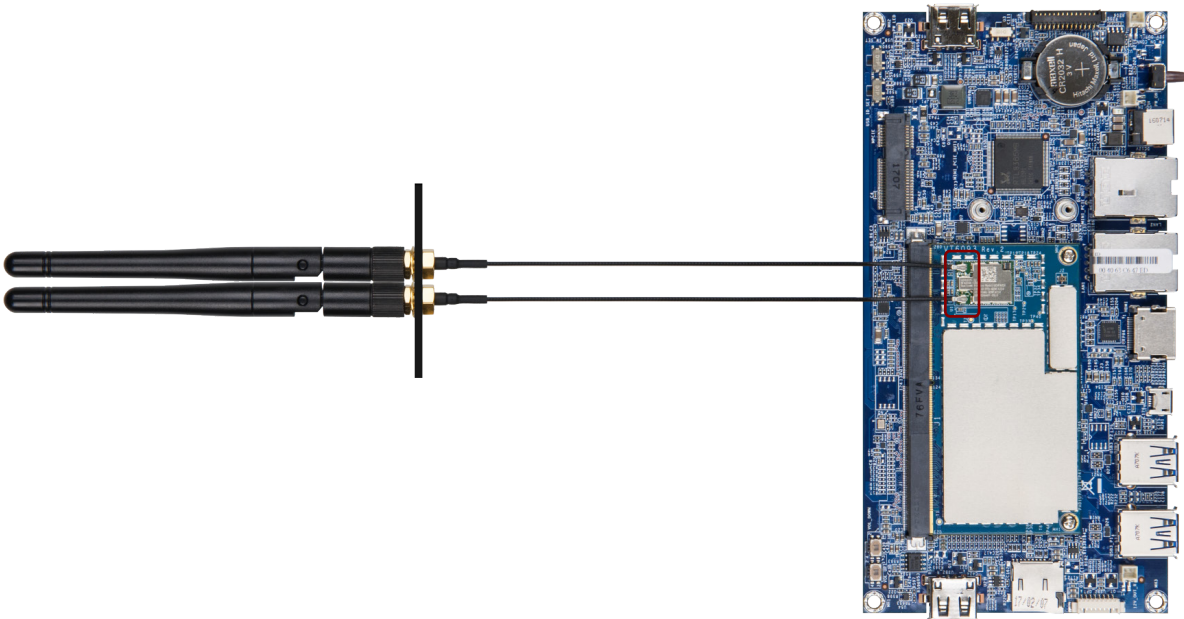
#### Step 1

Insert the antenna cables into the antenna holes from inside of the chassis (I/O plate). Insert the washers and fasten it with the nuts, and then install the external Wi-Fi and Bluetooth antennas.



#### Step 2

Connect the plug connectors of the antenna cables onto the respective micro-miniature RF antenna connectors on the onboard Wi-Fi+BT LGA module on the SOM-9X20 module.

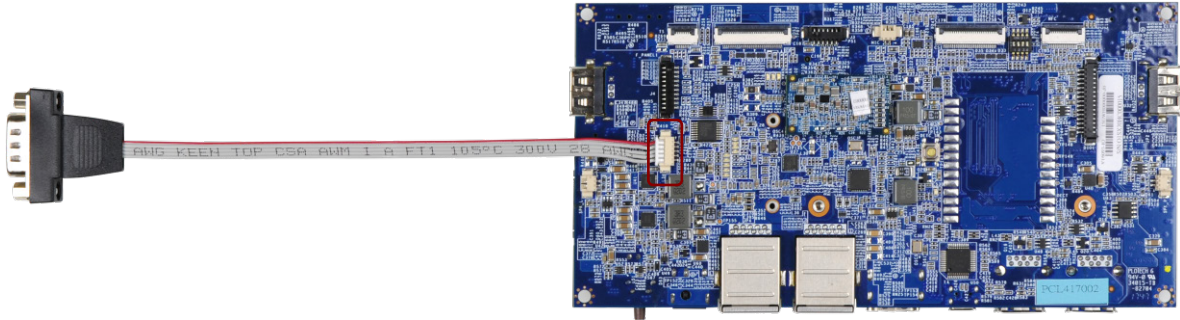


**Reminder:**  
We recommend to use a Jig when mating or unmating the plug connector to and from the micro-miniature RF antenna connector on the onboard Wi-Fi & BT LGA module. For more details, refer to Appendix B.

## 3.4 Connecting the COM Cable

### Step 1

Connect the COM cable to the COM connector on the SOMDB2 carrier board.

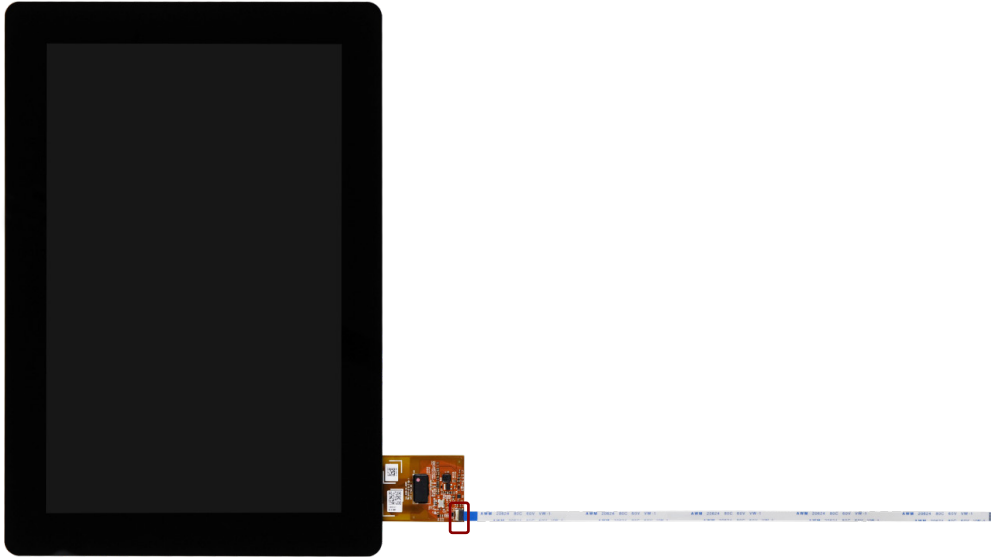


# Appendix A. Connecting LCD Touch Panel

## A.1. Connecting 10.1" MIPI LCD Touch Panel

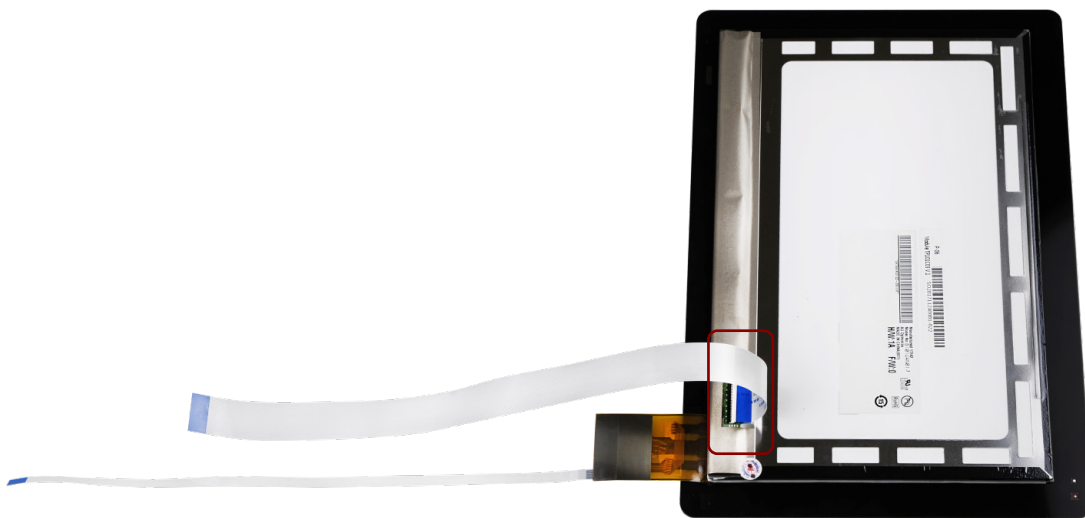
### Step 1

Connect the USB FPC touch cable to the flexible printed circuit on the LCD touch panel.



### Step 2

Connect the MIPI FPC cable to the LCD connector on the back of the LCD touch panel.





### Step 3

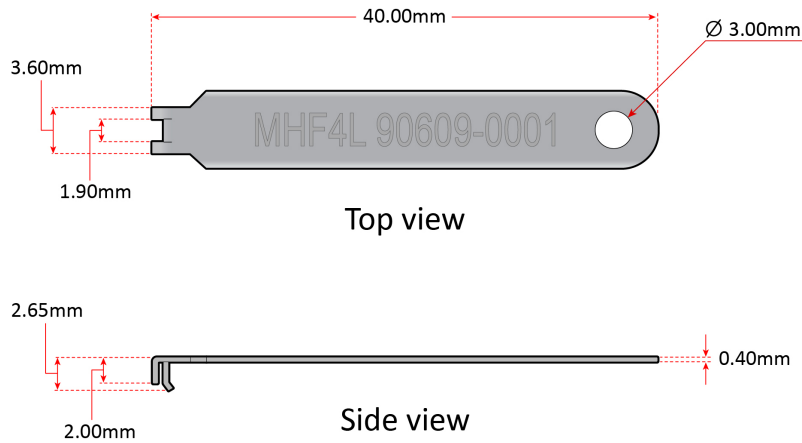
Connect the other ends of the USB FPC touch cable and MIPI FPC cable to the P-Cap touch connector and MIPI DSI LCD panel connector respectively on the SOMDB2 carrier board.





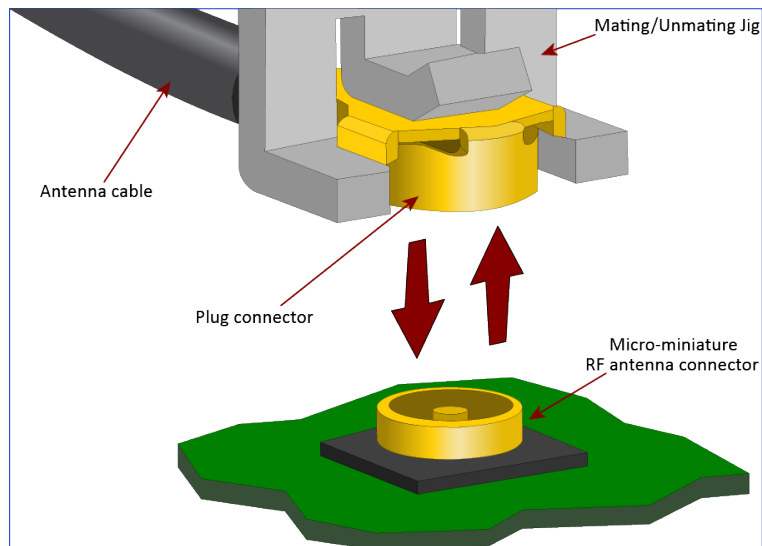
# Appendix B. Recommended Mating & Unmating Jig

## B.1. Jig Dimensions



## B.2. Mating Method of Plug Connector

Using the jig, align the plug connector onto the micro-miniature RF antenna connector. Then push down gently until the plug connector is fully connected. The recommended force must be 30N (maximum).





### Taiwan Headquarters

1F, 531 Zhong-zheng Road,  
Xindian Dist., New Taipei City 231  
Taiwan

Tel: 886-2-2218-5452  
Fax: 886-2-2218-9860  
Email: [embedded@via.com.tw](mailto:embedded@via.com.tw)



### USA

940 Mission Court  
Fremont, CA 94539,  
USA

Tel: 1-510-687-4688  
Fax: 1-510-687-4654  
Email: [embedded@viatech.com](mailto:embedded@viatech.com)



### Japan

3-15-7 Ebisu MT Bldg. 6F,  
Higashi, Shibuya-ku  
Tokyo 150-0011  
Japan

Tel: 81-3-5466-1637  
Fax: 81-3-5466-1638  
Email: [embedded@viatech.co.jp](mailto:embedded@viatech.co.jp)



### China

Tsinghua Science Park Bldg. 7  
No. 1 Zongguancun East Road,  
Haidian Dist., Beijing, 100084  
China

Tel: 86-10-59852288  
Fax: 86-10-59852299  
Email: [embedded@viatech.com.cn](mailto:embedded@viatech.com.cn)



### Europe

Email: [embedded@via-tech.eu](mailto:embedded@via-tech.eu)

## X-ON Electronics

Largest Supplier of Electrical and Electronic Components

*Click to view similar products for [Development Boards & Kits - ARM category](#):*

*Click to view products by [VIA manufacturer](#):*

Other Similar products are found below :

[SAFETI-HSK-RM48](#) [PICOHOBBITFL](#) [CC-ACC-MMK-2443](#) [TWR-MC-FRDMKE02Z](#) [EVALSPEAR320CPU](#) [EVB-SCMIMX6SX](#)  
[MAX32600-KIT#](#) [TMDX570LS04HDK](#) [TXSD-SV70](#) [OM13080UL](#) [EVAL-ADUC7120QSPZ](#) [OM13082UL](#) [TXSD-SV71](#)  
[YGRPEACHNORMAL](#) [OM13076UL](#) [PICODWARFFL](#) [YR8A77450HA02BG](#) [3580](#) [32F3348DISCOVERY](#) [ATTINY1607](#) [CURIOSITY](#)  
[NANO](#) [PIC16F15376](#) [CURIOSITY NANO BOARD](#) [PIC18F47Q10](#) [CURIOSITY NANO](#) [VISIONSTK-6ULL V.2.0](#) [80-001428](#) [DEV-17717](#)  
[EAK00360](#) [YR0K77210B000BE](#) [RTK7EKA2L1S00001BE](#) [MAX32651-EVKIT#](#) [SLN-VIZN-IOT](#) [LV18F V6 DEVELOPMENT SYSTEM](#)  
[READY FOR AVR BOARD](#) [READY FOR PIC BOARD](#) [READY FOR PIC \(DIP28\)](#) [EVB-VF522R3](#) [AVRPLC16 V6 PLC SYSTEM](#)  
[MIKROLAB FOR AVR XL](#) [MIKROLAB FOR PIC L](#) [MINI-AT BOARD - 5V](#) [MINI-M4 FOR STELLARIS](#) [MOD-09.Z](#) [BUGGY +](#)  
[CLICKER 2 FOR PIC32MX + BLUETOOT](#) [1410](#) [LETS MAKE PROJECT PROGRAM. RELAY PIC](#) [LETS MAKE - VOICE](#)  
[CONTROLLED LIGHTS](#) [LPC-H2294](#) [DSPIC-READY2 BOARD](#) [DSPIC-READY3 BOARD](#) [MIKROBOARD FOR ARM 64-PIN](#)  
[MIKROLAB FOR AVR](#)