

## Panel PCs

NEW

# VIA VIPRO VP7910

Fanless quad-core panel PC with 10.4" resistive or projective capacitive touch screen

## Features

- Fanless VIA Eden® X4 quad-core processor
- Supports 5-wire resistive touch sensor or projective capacitive multi-touch
- Supports one mSATA and one hard disk drive bay
- Supports two miniPCIe slots and two SIM card slots for 3G/Wi-Fi communication
- front panel IP65 compliant against water and dust

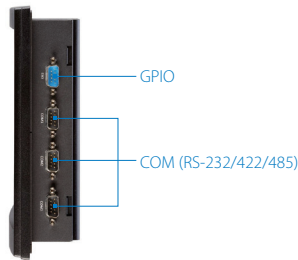


## Specifications

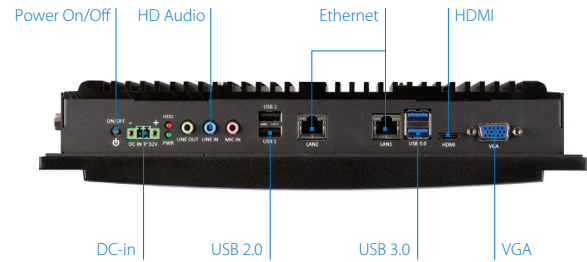
Part Number	VP-7910-R1Q12A1	VP-7910-P1Q12A1	
Processor	1.2GHz VIA Eden® X4	1.2GHz VIA Eden® X4	
Chipset	VIA VX11H Media System Processor		
BIOS	AMI Aptio UEFI BIOS, 32Mbit Flash memory		
System Power Management	ACPI 3.0 compliant, Wake-on LAN, keyboard power-on, timer power-on, system power management, AC power failure recovery, Watch Dog timer control		
System Memory	1 DDR3 SODIMM socket, up to 8GB memory size Pre-assembled 2GB SDRAM		
Storage	Supports 1 2.5" SATA SSD/HDD 1 mSATA slot		
Graphics	Integrated VIA Chrome® 640 DX11 3D/2D graphics with MPEG-2, WMV9, VC1 and H.264 video decoding acceleration		
Audio	VIA VT2021 High Definition Audio Codec		
LCD Display	LCD Type	10.4" color TFT LCD	
	LCD MTBF	30,000 hrs	50,000 hrs
	Contrast Ratio	500:1	1400:1
	Luminance (cd/m <sup>2</sup> )	230	400
	Viewing Angle (H/V°)	80°(left), 80°(right), 60°(up), 70°(down)	89°(left), 89°(right), 89°(up), 89°(down)
	Pixel Pitch (mm)	0.264 x 0.264	0.2055 x 0.2055
	Max. Colors	16.2M	16.2M
Max. Resolution	800 x 600	1024 x 768	
Touch screen	Touch Type	5-wire Analog Resistive	Projective Capacitive multi-touch
	Light Transmission	80% ± 3%	≥85%
	Controller	USB interface	USB interface
USB	2 USB 3.0 ports and 2 USB 2.0 host ports		
LAN	VIA VT6130 PCIe Gigabit Ethernet controller Realtek RTL8111G PCIe Gigabit Ethernet controller Supports Wake On LAN (WOL) Supports Preboot Execution Environment (PXE) 1x6 pin connector reserved to support VIA VNT9271 802.11n Wi-Fi USB module		
COM	Fintek F81865		
Expansion I/O	2 miniPCIe slots (supports 2 SIM slots) Supports 3 external antenna for optional Wi-Fi, 3G, and GPS modules		



## Side System I/O



## Bottom System I/O



## Specifications

Part Number	VP-7910-R1Q12A1	VP-7910-P1Q12A1
<b>Bottom I/O</b>	2 USB 3.0 ports 2 USB 2.0 ports 1 Mini HDMI port 1 VGA port 2 Gigabit Ethernet ports 3 Audio jacks: Line-in, Line-out and Mic-in 1 Power on/off button 1 Red color LED for HDD activity 1 Green color LED for power status 1 2-pole Phoenix DC jack	
<b>Left Side I/O</b>	1 DIO port for 8-bit GPIO (4 GPI + 4 GPO) 3 COM ports for RS-232/422/485 (powered by selectable 5V/12V)	
<b>Watch Dog Timer</b>	System reset; programmable 1~255 sec	
<b>Power Supply</b>	9V ~ 32V DC-in (typical 29W) Supports over voltage protection, over current protection, under voltage protection	
<b>Operating System</b>	Windows 10/8.1/8/7, WES 7, Linux	
<b>Mechanical Construction</b>	Aluminum mixed with heavy-duty steel	
<b>Mounting</b>	Panel mount/Wall/VESA mountable	
<b>Dimensions</b>	205mm(W) x 61mm(H) x 100mm(D) (11.8" x 8" x 2.4")	
<b>Weight</b>	3.6kg (7.9lbs)	
<b>Operating Temperature</b>	-10°C ~ 50°C: with qualified industrial grade DRAM, flash disk drive 0°C ~ 50°C: with default built in DRAM 0°C ~ 45°C: with 2.5" hard disk drive	
<b>Operating Humidity</b>	10% ~ 90% @ 45°C (non-condensing)	
<b>Storage Temperature</b>	-10 °C ~ 70°C	
<b>Vibration Loading During Operation</b>	With mSATA flash: 5Grms, IEC 60068-2-64, random, 5 ~ 500Hz, 1hr/axis	
<b>Shock During Operation</b>	With mSATA flash: 50G, IEC 60068-2-27, half size, 11ms duration	
<b>Compliance</b>	CE/FCC	

## Ordering Information

Part Number	CPU Frequency	Description
VP-7910-R1Q12A1	VIA Eden® X4 @ 1.2GHz	1.2GHz VIA Eden® X4 CPU based fanless 10.4" Resistive touch panel system with 800 x 600 LCD, pre-assembled 2GB SDRAM, HDMI, VGA, 2 USB 3.0, 2 USB 2.0, 3 COM, DIO, 2 Gigabit Ethernet, SATA, mSATA, panel mount bracket, 9~32V DC-in
VP-7910-P1Q12A1	VIA Eden® X4 @ 1.2GHz	1.2GHz VIA Eden® X4 CPU based fanless 10.4" Projective Capacitive touch panel system with 1024 x 768 LCD, pre-assembled 2GB SDRAM, HDMI, VGA, 2 USB 3.0, 2 USB 2.0, 3 COM, DIO, 2 Gigabit Ethernet, SATA, mSATA, panel mount bracket, 9~32V DC-in

## Optional Accessories

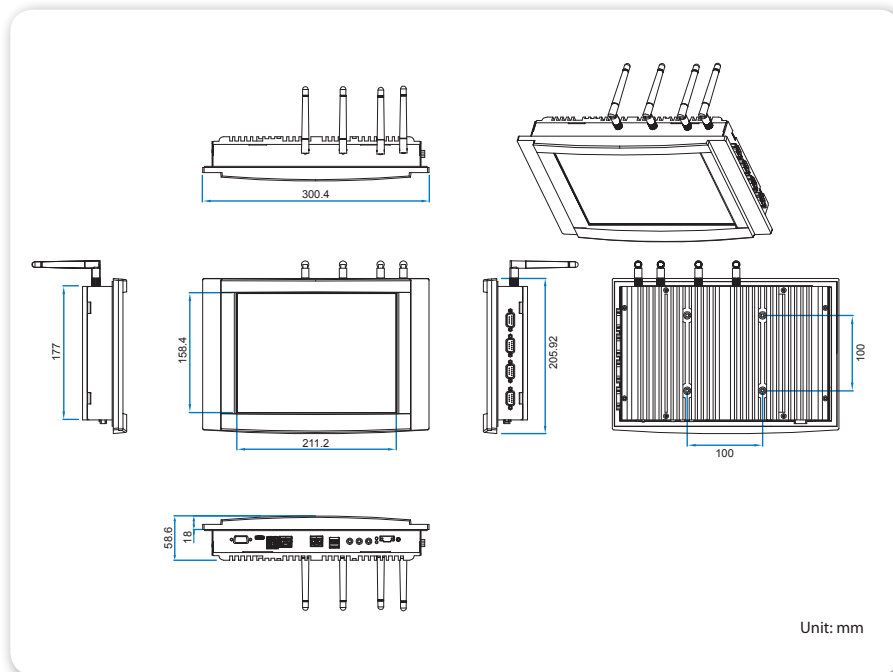
### External AC-to-DC Adapter and Power Cord

Part Number	Description
99G63-020316	AC-to-DC adapter, 2-pole Phoenix connector, DC 12V/5A, 60W
99G33-02032C	Power cord, 180cm, USA type
99G33-02033C	Power cord, 180cm, Europe type

### Wireless Accesories

Part Number	Description
EMIO-1533-00A2	VNT9271 IEEE 802.11 b/g/n USB Wi-Fi module with assembly kit
EMIO-1541-00A1	VNT9485 IEEE 802.11 b/g/n miniPCle Wi-Fi module with assembly kit and antenna
EMIO-2550-00A1	3.75G HSPA/UMTS mobile broadband full size miniPCle module with GPS and SIM card slot
EMIO-2550-01A1	3.75G HSPA/UMTS mobile broadband full size miniPCle module

## Dimensions



## Packing List

Items
VIPRO VP7910
Panel mount bracket
Screw pack for VESA mounting
Power cable, 2-pole phoenix DC-in jack connector

## X-ON Electronics

Largest Supplier of Electrical and Electronic Components

*Click to view similar products for [Embedded Box Computers](#) category:*

*Click to view products by [VIA manufacturer](#):*

Other Similar products are found below :

[tBOX312-870-FL-i7-DC](#) [tBOX313-835-FL-RJ-DC](#) [UPOS-3150-R0W0E](#) [ARK-20-S8A1E](#) [R2224WTTYSR](#) [BXNUC9i5QNX](#)  
[BXNUC9i5QNX1](#) [BKNUC9V7QNX](#) [BKNUC9V7QNX1](#) [2-A0DF-2001](#) [BKCMB1ABB](#) [BKCMB1ABA](#) [EM3000-3845-8-128-WL-U-1](#)  
[TANK-870AI-i5/8G/2A-R10](#) [PRFE21000038](#) [EM5000-I3-8-128-WL-W7-1](#) [EM3000-3845-8-128-WL-W7-1](#) [PRFE21000039](#) [AMOS-825-](#)  
[1Q10A1](#) [UPS-EDAI-X70864-U01-DC01](#) [UPX-EDGEI7-A10-1664-F01](#) [MXE-211/M8G](#) [PXIe-3985/M16G](#) [PXIe-3987/M16G/SSD](#) [AIMB-](#)  
[T1215DA-00Y0E](#) [AIMB-T12315A-00Y0E](#) [AMAX-5580-54000A](#) [APAX-5580-474AE](#) [ARK-6322-Q0A2E](#) [DS-100GF-S8A1E](#) [DS-100GL-](#)  
[S8A1E](#) [EPC-R4680CQ-XAA1E](#) [ESRP-CSS-UNO2484](#) [ITA-1611-10A1E](#) [ITA-1711-10A1E](#) [MIC-710AI-00A1](#) [MIC-720AI-00A1](#) [UNO-247-](#)  
[J1N1AE](#) [UTX-3115FS-S6A2E](#) [AMI220AF-4L-7500](#) [ELIT-1200](#) [AIE100-903-FL](#) [EBOX671-517-FL-DC](#) [MVS900-511-FL](#) [AMS200](#) [SE-92-](#)  
[I7](#) [SI-606](#) [SI-60E](#) [TANK-760-HM86i-i5/4G-R10](#) [BKCM8i7CB8N](#)