

NEW

VIA ALTA DS 2

Fanless ultra-compact dual-screen Android digital signage system



Features

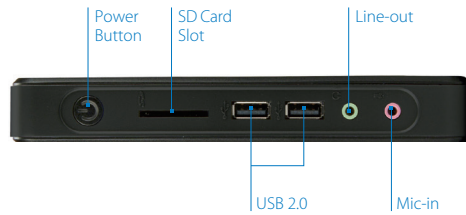
- High-performance 1.0GHz VIA Elite E1000 Cortex-A9 dual-core SoC
- Designed for Android operating system
- Dual-screen support with optional second HDMI port
- Optional HDMI-in for capture-in
- Android software solution pack and signage starter kit available

Specifications

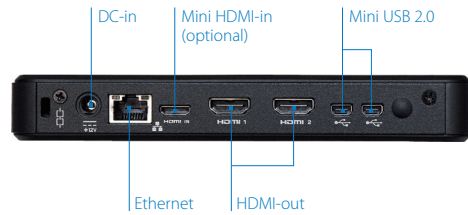
Model Name	ALTA DS 2
Processor	1.0GHz VIA Elite E1000 Cortex-A9 dual-core SoC
System Memory	2GB DDR3 SDRAM onboard
Storage	4GB eMMC Flash memory Up to 16GB eMMC (optional) Supports 1 2.5" SATA HDD/SSD (Project-based only)
Boot Loader	4MB SPI Flash ROM
Graphics	3 integrated, independent 2D/3D and video processing units Graphics engine supporting OpenGL® ES 3.0 hardware acceleration Supports MPEG-2, VC-1 and H.264 video decoding up to 1080p Supports H.264 encoding
LAN	Realtek RTL8111G-CG
Audio	Wolfson WM8960 Audio Codec
HDMI	Integrated HDMI 1.4 transmitter 2nd from ADV7511
Front Panel I/O	2 USB 2.0 ports 1 SD card slot 2 Audio jacks: Line-out and Mic-in (shared with CIR, optional) 1 Power on/off button & power indicator LED
Back Panel I/O	2 Mini USB 2.0 ports (optional) - 1 for Wi-Fi - 1 for UART1 TX/RX 2 HDMI-out ports (1 optional) 1 Mini HDMI-in port (optional, project based support) 1 Gigabit Ethernet port 1 DC-in jack
Power Supply	12V DC-in (typical: 5.12W)
Operating System	Android 4.4.2, Kernel 3.10.0
Operating Temperature	0°C ~ 40°C
Operating Humidity	0 ~ 90% @ 40°C (non-condensing)
Storage Temperature	-20°C ~ 70°C
Dimensions	175mm(H) x 25mm (H) x118(D) (6.88" x 0.98" x 4.64")
Weight	0.555kg (1.22lbs)
Compliance	CE, FCC

CE FCC

Front Panel External I/O



Rear Panel External I/O



Ordering Information

Part Number	System Built-in CPU	Description
VT60800014003-T	1.0GHz VIA Elite E1000	Android signage system with 2GB DDR3 RAM, 4GB eMMC, HDMI-in (project based support), 2 HDMI-out, 2 USB 2.0 ports, 2 Mini USB 2.0 ports, SD card slot, Gigabit Ethernet, Stand holder, US power cord, 12V DC-in

Optional Accessories

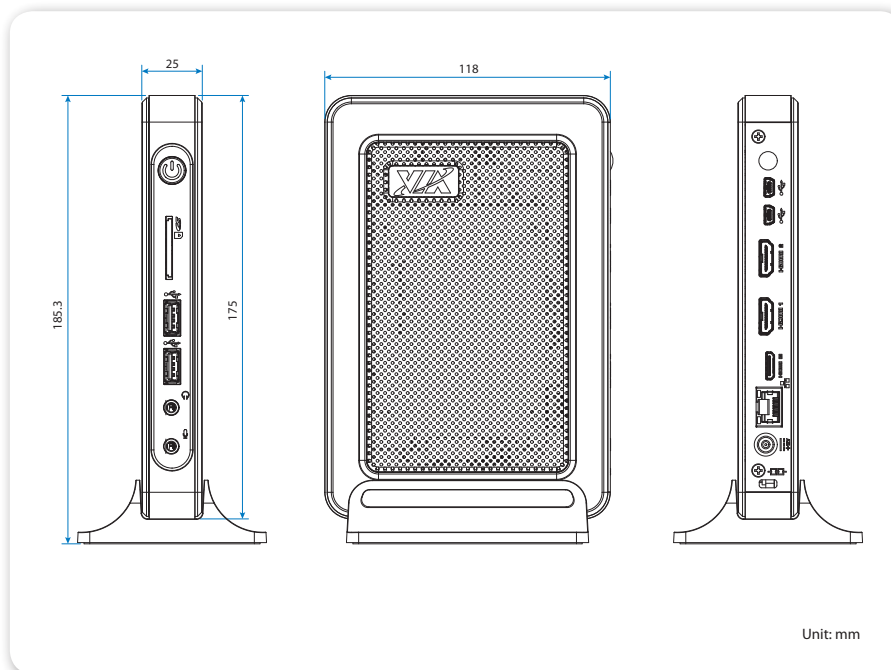
Wireless Accessories

Part Number	Description
00G027100BU2B0D0	VNT9271BU0DB IEEE 802.11b/g/n USB Wi-Fi dongle

Mounting Options

Part Number	Description
VT6076-C0000A1	VESA mount cradle

Dimensions



Packing List

- ALTA DS 2 system
- Stand holder
- AC-to-DC adapter
- Power cord (USA type)

X-ON Electronics

Largest Supplier of Electrical and Electronic Components

Click to view similar products for [Embedded Box Computers](#) category:

Click to view products by [VIA manufacturer](#):

Other Similar products are found below :

[tBOX312-870-FL-i7-DC](#) [tBOX313-835-FL-RJ-DC](#) [UPOS-3150-R0W0E](#) [ARK-20-S8A1E](#) [R2224WTTYSR](#) [BXNUC9i5QNX](#)
[BXNUC9i5QNX1](#) [BKNUC9V7QNX](#) [BKNUC9V7QNX1](#) [2-A0DF-2001](#) [BKCMB1ABB](#) [BKCMB1ABA](#) [EM3000-3845-8-128-WL-U-1](#)
[TANK-870AI-i5/8G/2A-R10](#) [PRFE21000038](#) [EM5000-I3-8-128-WL-W7-1](#) [EM3000-3845-8-128-WL-W7-1](#) [PRFE21000039](#) [AMOS-825-](#)
[1Q10A1](#) [UPS-EDAI-X70864-U01-DC01](#) [UPX-EDGEI7-A10-1664-F01](#) [MXE-211/M8G](#) [PXIe-3985/M16G](#) [PXIe-3987/M16G/SSD](#) [AIMB-](#)
[T1215DA-00Y0E](#) [AIMB-T12315A-00Y0E](#) [AMAX-5580-54000A](#) [APAX-5580-474AE](#) [ARK-6322-Q0A2E](#) [DS-100GF-S8A1E](#) [DS-100GL-](#)
[S8A1E](#) [EPC-R4680CQ-XAA1E](#) [ESRP-CSS-UNO2484](#) [ITA-1611-10A1E](#) [ITA-1711-10A1E](#) [MIC-710AI-00A1](#) [MIC-720AI-00A1](#) [UNO-247-](#)
[J1N1AE](#) [UTX-3115FS-S6A2E](#) [AMI220AF-4L-7500](#) [ELIT-1200](#) [AIE100-903-FL](#) [EBOX671-517-FL-DC](#) [MVS900-511-FL](#) [AMS200](#) [SE-92-](#)
[I7](#) [SI-606](#) [SI-60E](#) [TANK-760-HM86i-i5/4G-R10](#) [BKCM8i7CB8N](#)