

8

7

6

5

4

3

2

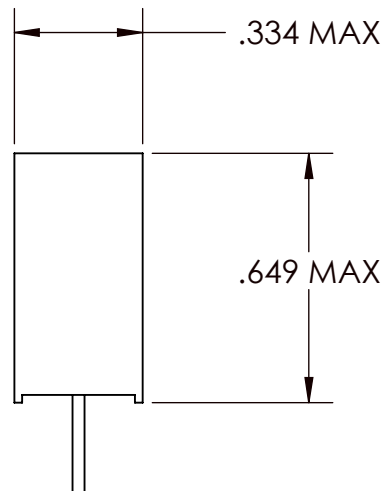
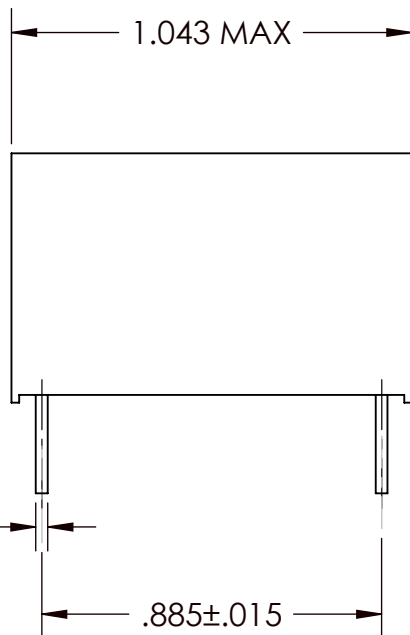
1

VICOR CONFIDENTIAL

THIS DOCUMENT AND THE DATA DISCLOSED HEREIN OR HEREWITH IS NOT TO BE REPRODUCED, USED OR DISCLOSED IN WHOLE OR IN PART TO ANYONE WITHOUT THE PERMISSION OF VICOR CORP.

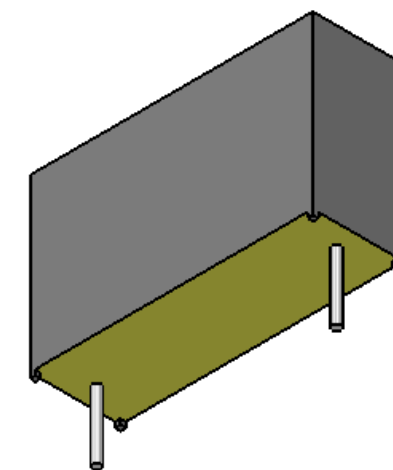
REVISIONS

REV	DESCRIPTION	DATE	APPROVED
2	RELEASE PER E080622	3/28/07	EF
3	REVISED PER E100698A	5/19/10	JG



NOTES:

- 1: CAPACITORS - DIELECTRIC, POLYESTER-FILM.
- 2: INTERNATIONAL SAFETY AGENCY APPROVALS AND MARKINGS SHALL INCLUDE MARKINGS FROM: VDE, SEV, DEMKO, SEMKO, NEMKO, SETI, UL, IMQ, OVE.
- 3: RoHS COMPLIANT, LEAD FREE PER CST-0001 LATEST REVISION.
- 4: DIMENSIONS ARE INCHES ONLY.



ELECTRICAL CHARACTERISTICS

RATED VOLTAGE	250 VAC, 50/60HZ.
CAPACITANCE	.22uF, ±20%.
CLASS	X2.
DISSIPATION FACTOR	1% MEASURED AT 1 kHz.
MAX. PULSE RATE TIME	Du/Dt ACC.TO VDE 565 1 100 V /uSEC.

DRAWN	DATE	VICOR SWD			
J. CLEMENZI	10/89	<b>AC- CAPACITOR</b> <b>0.22uF, 250VAC (X2)</b>			
<small>UNLESS OTHERWISE SPECIFIED DIMENSIONS ARE INCH [MM]  TOLERANCES ARE:  DECIMALS      ANGLES  X.XX [X.X] = ±0.01 [0.25]      ±1°  X.XXX [X.XX] = ±0.005 [0.127]</small>					
MATERIAL	THIRD ANGLE PROJECTION	SIZE	CAGE CODE	DWG NO	REV
FINISH	DO NOT SCALE DRAWING	<b>B</b>	<b>67131</b>	<b>04068</b>	<b>3</b>
		SCALE 2 : 1		SHEET 1 OF 1	

8

7

6

5

4

3

2

1

## X-ON Electronics

Largest Supplier of Electrical and Electronic Components

*Click to view similar products for [Safety Capacitors](#) category:*

*Click to view products by [Vicor](#) manufacturer:*

Other Similar products are found below :

[R49AN347000A1K](#) [B32022B3223K026](#) [B32912A3104K026](#) [46KI3470DQM1K](#) [MKPY2-.02230020P15](#) [46KI333050M1K](#)  
[46KN333000M1M](#) [46KN347000M1M](#) [46KR422000M1K](#) [B32922D3334K189](#) [B32924C3824K189](#) [46KI3100DQM1M](#) [HUB820-P](#) [BFC2](#)  
[33910103](#) [YV101103Z060HAND5P](#) [46KN3330JBM1K](#) [413N32200000M](#) [463I333000M1K](#) [46KF2470JBN0M](#) [46KF268000M1M](#)  
[46KF310000M1M](#) [46KI22205001M](#) [46KI24705201K](#) [46KI2470CK01M](#) [46KI2470ND01K](#) [46KI2680JH01M](#) [46KI315000M2K](#)  
[46KI315000M2M](#) [46KI3150CKM2K](#) [46KI3150CKM2M](#) [46KI3150NDM2M](#) [46KI3220CKP0M](#) [46KI3220JLM1M](#) [46KN3150JH01K](#)  
[46KN34705001K](#) [46KN347050N0K](#) [46KN3470JHP0M](#) [46KN410040H1M](#) [46KW510050M1K](#) [474I24700003K](#) [PHE840MD6220MD13R30](#)  
[PHE840MY6470MD14R06](#) [PHE845VD5470MR06](#) [46KR410050M1K](#) [YV500103Z060B20X5P](#) [MKPX2R-1/400/10P27](#)  
[YP102271K050B20C6P](#) [YP102391K050BAND5P](#) [YP501101K040BAND5P](#) [YP102681K060B20C6P](#)