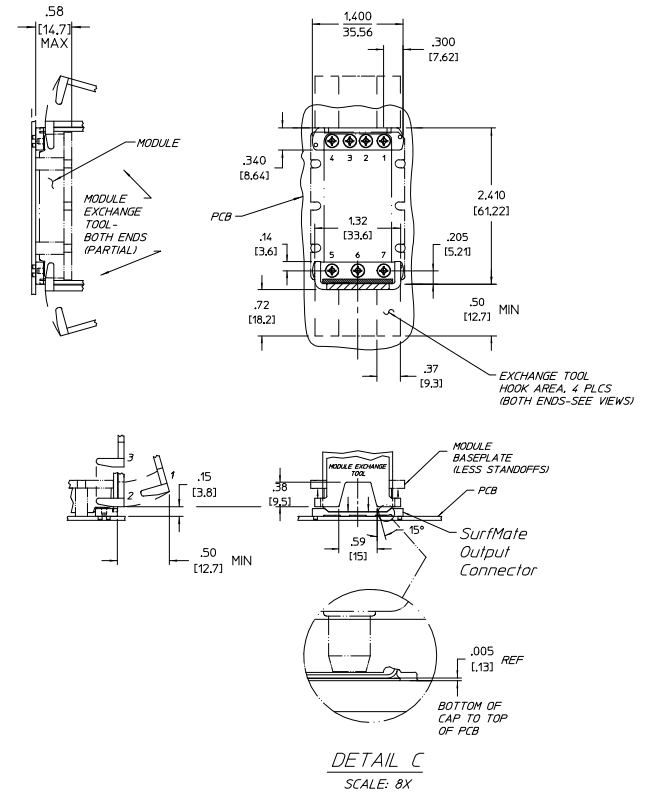
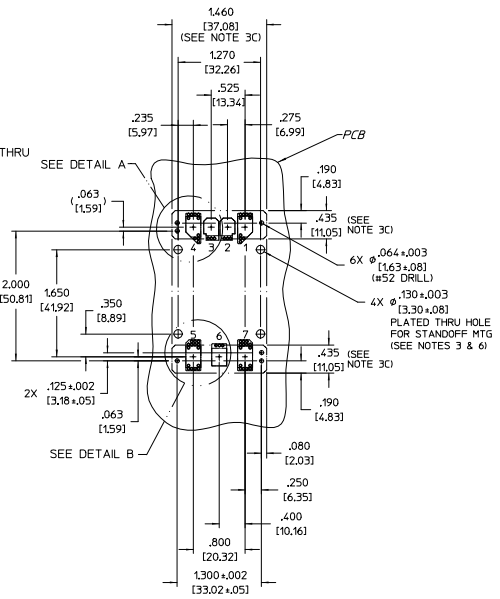
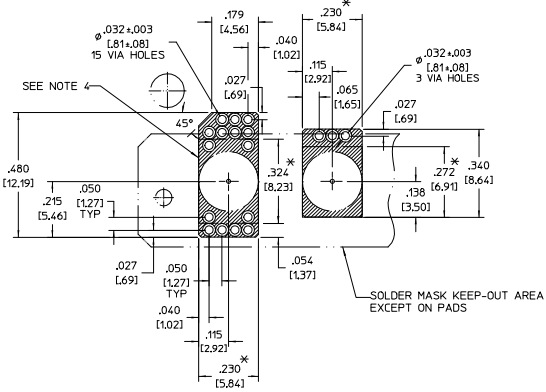
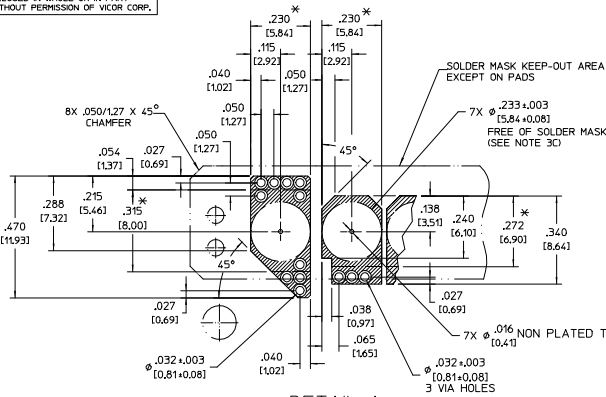


**VICOR CONFIDENTIAL**  
 THIS DOCUMENT AND THE DATA DISCLOSED HEREIN OR HEREWITH IS NOT TO BE REPRODUCED, USED, OR DISCLOSED IN WHOLE OR IN PART TO ANYONE WITHOUT PERMISSION OF VICOR CORP.

REV.	DESCRIPTION	DATE	APVD
01	RELEASED PER E0230210	GCK 6/7/02	PEI
2	REVISED PER E0230494	PEI 10/8/02	JMR
3	REVISED PER E063136	AK 06/23/06	BH
4	REVISED PER E063398	GCK 9/22/06	REH
5	REVISED PER E090716	GCK 4/21/09	AR



- NOTES:**
- MATERIAL:  
 HEADERS: VECTRA E150, LIQUID CRYSTAL POLYMER, 50% GLASS FILLED, BLACK COLOR  
 SOCKET CAP: 260 CARTRIDGE BRASS, AU PLATED  
 SOCKETS: BE-CU ALLOY #25, AU PLATED
  - ALL DIMENSIONS ARE INCH OR INCH/METRIC, METRIC
  - ANSI/IPC-D-300 SPECIFICATIONS APPLY FOR CLASS "B" BOARDS
  - RECOMMENDED PCB CONSTRUCTION:  
 A. MULTILAYER 3 OZ COPPER WITH INTERNAL POWER AND GROUND PLANES.  
 B. PAD GEOMETRY AND MINIMUM NUMBER OF VIA HOLES SHOWN FOR CONNECTION TO INTERNAL PLANES.  
 C. PADS TO BE COVERED WITH SOLDER MASK EXCEPT IN AREA SHOWN IN DETAILS A + B. FINAL PAD HEIGHT ABOVE LAMINATE TO BE .004 +/- .0004.
  - STENCIL APERTURE SHOWN IN HEAVY LINE. SEE DIMENSIONS MARKED WITH \*.  
 SOLDER PASTE THICKNESS:  
 MINIMUM .006"  
 RECOMMENDED .008" TO .012"
  - DURING SOLDERING, SURFMATE PART TEMPERATURES NOT TO EXCEED 455°F (235°C).
  - MODULE MOUNTING STANDOFF KITS REQUIRED.
  - MODULE EXCHANGE TOOL (#22829) REQUIRED FOR MODULE REMOVAL.
  - RoHS COMPLIANT PER CST-001 LATEST REVISION.

PIN NO.	SYMBOL	FUNCTION	PIN DIA.
1	+	+IN	.080 [2.03]
2	PC	PRIM CONTROL	.080 [2.03]
3	PR	PARALLEL	.080 [2.03]
4	-	-IN	.080 [2.03]
5	-	-OUT	.080 [2.03]
6	SC	SEC CONTROL	.080 [2.03]
7	+	+OUT	.080 [2.03]

DRAWN BY RDM	DATE 6/29			
<small>UNLESS OTHERWISE SPECIFIED DIMENSIONS ARE IN INCHES TOLERANCES ARE: (SEE NOTE 2) .XXX - .001 (0.025) ±.01 .XXX - .002 (0.052) ±.01</small>				
THIRD ANGLE PROJECTION	SIZE D	P/SCH NO. 67131	DWG NO. 16807	REV 5
DO NOT SCALE DRAWING	SCALE	SHEET 1	OF 1	

APPS DWG, PCB SURF. MT CONN SURFMATE VI-700

## X-ON Electronics

Largest Supplier of Electrical and Electronic Components

*Click to view similar products for [Headers & Wire Housings](#) category:*

*Click to view products by [Vicor](#) manufacturer:*

Other Similar products are found below :

[95000-104TRLF](#) [10135584-644402LF](#) [DF62W-EP2022PCA](#) [95000-106TRLF](#) [DF62W-2022SCA](#) [DF62W-EP2022PC](#) [2203348](#) [DF62W-2022SC](#) [1084018](#) [1029039](#) [1084017](#) [802-10-012-10-002000](#) [1112640](#) [1112639](#) [000-34000](#) [0009482033](#) [0009507031](#) [57102-S06-03LF](#) [57202-S52-04LF](#) [PCN6-15S-2.5E](#) [0039019024](#) [58102-G61-06LF](#) [582553-1](#) [0009485154](#) [0009508121](#) [0022285053](#) [0050291907](#) [018731A](#) [LY20-4P-DT1-P1E-BR](#) [02.125.8002.8](#) [60101931](#) [60598-1 \(Cut Strip\)](#) [M1625-3R/100](#) [61062-3](#) [61082-181009](#) [636-1427](#) [638009-1](#) [641938-9](#) [641991-4](#) [644168-1](#) [647662-1](#) [65039-019ELF](#) [65817-002LF](#) [65817-015LF](#) [65863-015LF](#) [66207-023LF](#) [67016-026LF](#) [67046-001LF](#) [67095-007LF](#) [67230-005LF](#)