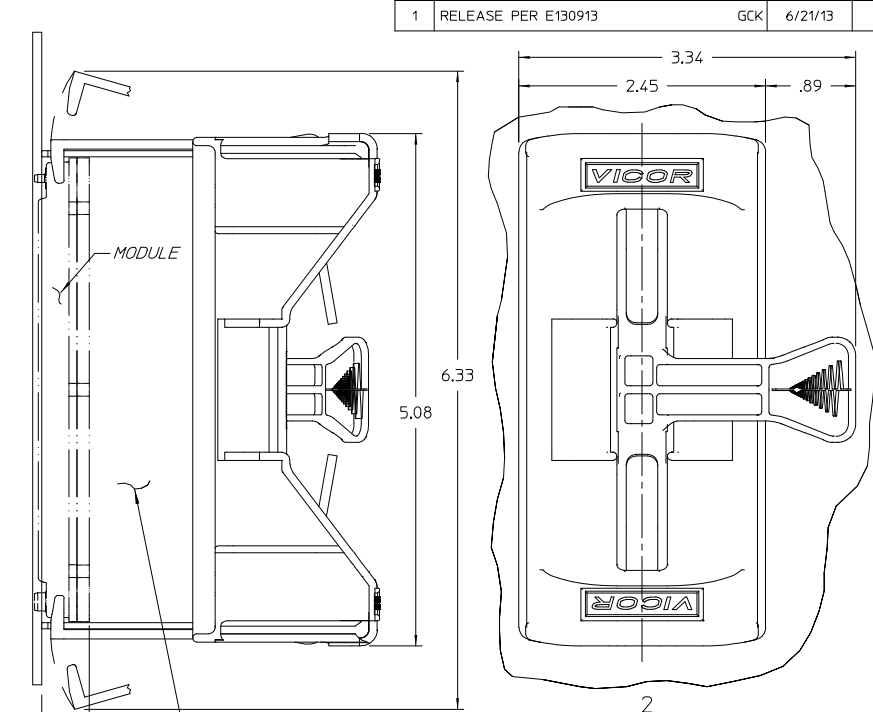
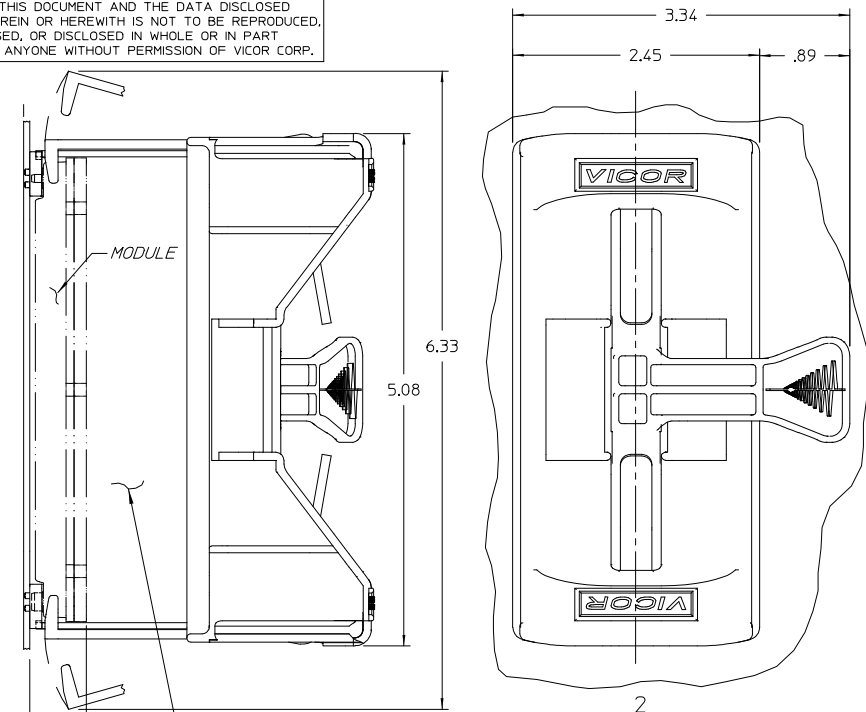


**VICOR CONFIDENTIAL**

THIS DOCUMENT AND THE DATA DISCLOSED HEREIN OR HERewith IS NOT TO BE REPRODUCED, USED, OR DISCLOSED IN WHOLE OR IN PART TO ANYONE WITHOUT PERMISSION OF VICOR CORP.

| REV. | DESCRIPTION         | DATE        | APPROVED |
|------|---------------------|-------------|----------|
| 1    | RELEASE PER E130913 | GCK 6/21/13 | EF       |

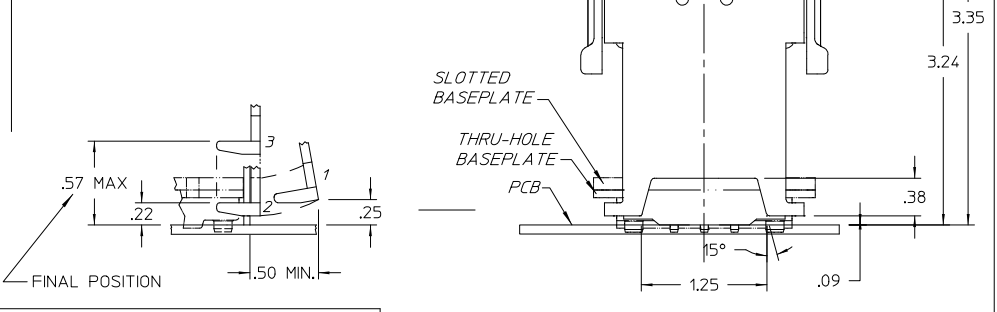
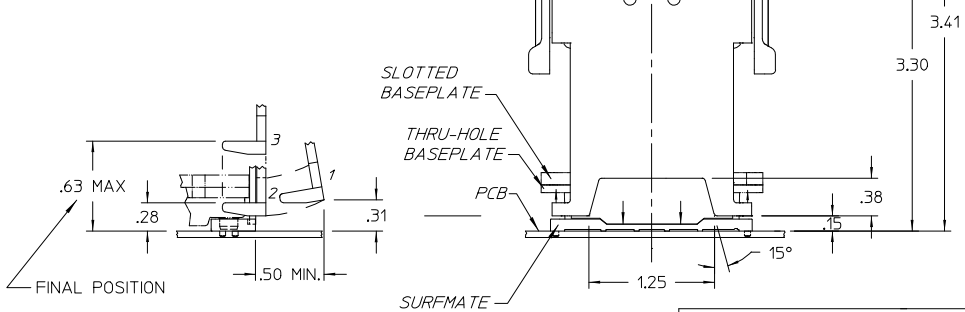


CLEARANCE FOR HEATSINK  
.56 MAX

CLEARANCE FOR HEATSINK  
.56 MAX

SURFMATE APPLICATION

INMATE APPLICATION



- NOTES:
- MATERIAL:  
FRAME & HOOKS: 1020 CRS  
HANDLE, CAMS, & CAM BLOCKS: PPS RYTON R4 (BLACK)  
COVER: URETHANE, BRS 200 (BLACK)
  - ALL DIMENSIONS ARE INCH.
  - HOKK TRAVEL WORKS WITH ALL MODULE APPLICATIONS. SEE TABLE.
  - RoHS COMPLIANT PER CST-0001 LATEST REVISION.

| Acceptable Applications  |           |                |      |          |               |          |
|--------------------------|-----------|----------------|------|----------|---------------|----------|
| Mounting Style           | Pin Style | Baseplate Type |      |          | Heatsink Type |          |
|                          |           | Slot           | Thru | Threaded | Thru          | Threaded |
| In-Board (InMATE)        | I         | X              | X    | X        | X             | X        |
| On-Board (InMATE)        | I         | X              | X    | X        | X             | X        |
|                          | II        | X              | X    | X        | X             | X        |
| Surface Mount (SurfMATE) | I         | X              | X    | X        | X             | X        |

DRAWN BY: LAP NGUYEN  
DATE: 11/00

UNLESS OTHERWISE SPECIFIED DIMENSIONS ARE IN INCHES. TOLERANCES ARE:  
FRACTIONS: DECIMALS: ANGLES:  
+1/64 .XX+ .01 °1°  
XXX-.005

THIRD ANGLE PROJECTION

DO NOT SCALE DRAWING

**VICOR**

APPS DWG, VI-900  
MODULE EXCHANGE TOOL

|       |          |              |      |
|-------|----------|--------------|------|
| SIZE  | FSCM NO. | DWG NO.      | REV. |
| C     | 67131    | 23283        | 1    |
| SCALE | 1:1      | SHEET 1 OF 1 |      |

## X-ON Electronics

Largest Supplier of Electrical and Electronic Components

*Click to view similar products for [Sockets & Adapters](#) category:*

*Click to view products by [Vicor](#) manufacturer:*

Other Similar products are found below :

[6508-0-00-01-00-00-33-0](#) [AC164348](#) [1262](#) [22827](#) [AC164353](#) [TDGL015](#) [SA247](#) [SM64TQ-ACTEL-1](#) [70-0036](#) [8.06.03](#) [DS91230+](#) [SMPA-ISP-ACTEL-3-KIT](#) [16017](#) [LFVDBGF](#) [KIT 70601-3](#) [SM132CQ-ACTEL](#) [R0E000010ACB20](#) [IPC0181](#) [IPC0175](#) [IPC0165](#) [AC164397](#) [conga-Thin MITX/eDP to DP Adapter](#) [SLG46536V-SKT](#) [SLG46621V-SKT](#) [SLG46538V-SKT](#) [SLG46535V-SKT](#) [SLG46722V-SKT](#) [ML-ADP-EVN](#) [TOOLSTICK990MPP](#) [110-83-320-41-605101](#) [110-83-632-41-605101](#) [110-83-640-41-605101](#) [110-83-628-41-605101](#) [116-83-306-41-001101](#) [PA0003](#) [PA0007](#) [PA0009](#) [PA0035](#) [PA0085](#) [PA0096](#) [IPC0079](#) [ATARD-DBGADPT](#) [80-000286](#) [ATSTK600-RC88](#) [ATSTK600-SC06](#) [ATSTK600-RC78](#) [SPC560PADPT64S](#) [AC164345](#) [AC164342](#) [AC164038](#)