

8

7

6

5

4

3

2

1

VICOR CONFIDENTIAL

THIS DOCUMENT AND THE DATA DISCLOSED HEREIN OR HEREWITH IS NOT TO BE REPRODUCED, USED OR DISCLOSED IN WHOLE OR IN PART TO ANYONE WITHOUT THE PERMISSION OF VICOR CORP.

REVISIONS

REV	DESCRIPTION	DATE	APPROVED
1	RELEASED PER E060743	05/19/06	REJH SH
2	REVISED PER E101188	09/24/10	KUK AR

ABSOLUTE MAXIMUM RATINGS:

Operating Ambient Temperature range (T_A)..... -55 to + 85° C
 Storage Temperature Range (T_{STG})..... -55 to +125° C
 Temperature Coefficient (αV) of Clamping Voltage (V_C) at Specified Test Current..... <0.01%/ °C
 Hi-Pot Encapsulation (Isolation Voltage Capability)..... 2500V
 (Dielectric must withstand indicated DC voltage for one minute per MIL-STD-202 Method 301)
 Insulation Resistance..... 1000MΩ

MAXIMUM RATING @ Ta = 85° C

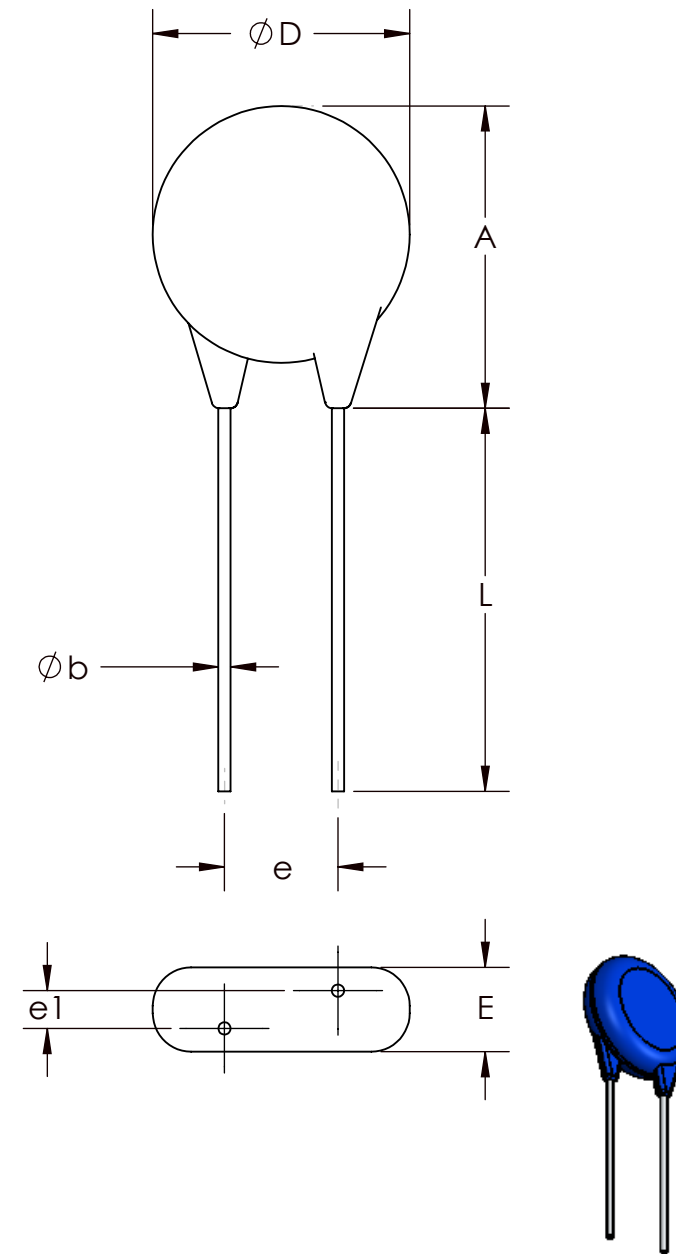
Parameter	Symbol	Test Condition	Units
Continuous AC Voltage	V _{M(AC)RMS}		275 V
Continuous DC Voltage	V _{M(DC)}		369 V
Transient Single Pulse Energy	W _{TM}	10 x 1000 μs current wave (1)	75 J
Transient Peak Pulse Current	I _{TM}	8 x 20 μs current wave	4500 A

(1) Average power dissipation of transients not to exceed 0.4W

ELECTRICAL SPECIFICATIONS @ Ta = 25°C

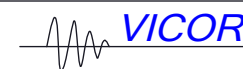
Parameter	Symbol	Test Condition	Min	Typ	Max	Units
Max. Varistor Voltage	V _{NOM}	1mA DC			473	V
Clamping Voltage	V _C	8 x 20 μs current wave			710	V
Peak Current at V _C	I _{PK}				50	A
Capacitance	C	f = 1MHz		450		pF

DIMENSIONS	MILLIMETER (INCHES)	
	MIN	MAX
A	----	20 (.787)
Dia. D	----	17 (.669)
e	6.5 (.256)	8.5 (.335)
e ₁	1.5 (.059)	3.5 (.138)
E	----	5.6 (.220)
Dia. b	.76 (.030)	.86 (.034)
L	25.4 (1.00)	----



NOTES:
1. RoHS COMPLIANT, LEAD FREE PER CST-0001 LATEST REVISION.

DRAWN	DATE
P.E.IENI	05/18/05



SWD

MATERIAL	UNLESS OTHERWISE SPECIFIED DIMENSIONS ARE INCH [MM] TOLERANCES ARE: DECIMALS ANGLES X.XX [X.X] = ±0.01 [0.25] ±1° X.XXX [X.XX] = ±0.005 [0.127]
FINISH	
THIRD ANGLE PROJECTION	
DO NOT SCALE DRAWING	

VARISTOR RADIAL LEAD MOV, LINE-VOLTAGE

SIZE	CAGE CODE	DWG NO	REV
B	67131	30076	2
SCALE 1: 1		SHEET 1 OF 1	

8

7

6

5

4

3

2

1

X-ON Electronics

Largest Supplier of Electrical and Electronic Components

Click to view similar products for [Varistors](#) category:

Click to view products by [Vicor](#) manufacturer:

Other Similar products are found below :

[820443211E](#) [MLV0603E30403T](#) [MOV05131AIA](#) [MOV07231AQA](#) [MOV18131CZA](#) [R71ZOV151HC](#) [D58ZOV500RA01T1](#)
[B72214S110K151](#) [B72214S251K151](#) [B72260B102K1](#) [B72280B271K1](#) [B72500E8250L60](#) [B72530E1140S272](#) [B72540E250K62](#)
[B72650M0151K093](#) [B72660M0271K093](#) [NTE1V020](#) [NTE1V130](#) [NTE2V010](#) [NTE2V130](#) [ROV20-220M-S](#) [ROV20H201K](#) [25FN511K](#)
[S10K11G5S5](#) [ERZ-C07DK221U](#) [ERZ-C14DK361U](#) [ERZ-C20DK221U](#) [207869-1](#) [TMOV25SP625E](#) [TND10V-471KB00AAA0](#)
[B72210S271K111](#) [B72214S200K551](#) [B72280B112K1](#) [B72280B381K1](#) [B72540E 350K 62](#) [B72590D360A60](#) [B72670M1140K72](#)
[MOV07251ARA](#) [MOV10131EDA](#) [MOV10151EFA](#) [MOV14151CWA](#) [MOV20251DFA](#) [TVZ18EC271KBS](#) [TVZ20EB911KBS](#)
[TVZ25D201KBS](#) [TVZ25D241KBS](#) [VZ07D220KBS](#) [Z420LA20A](#) [ROV20H220M-S](#) [VZ40D241KQ-N](#)