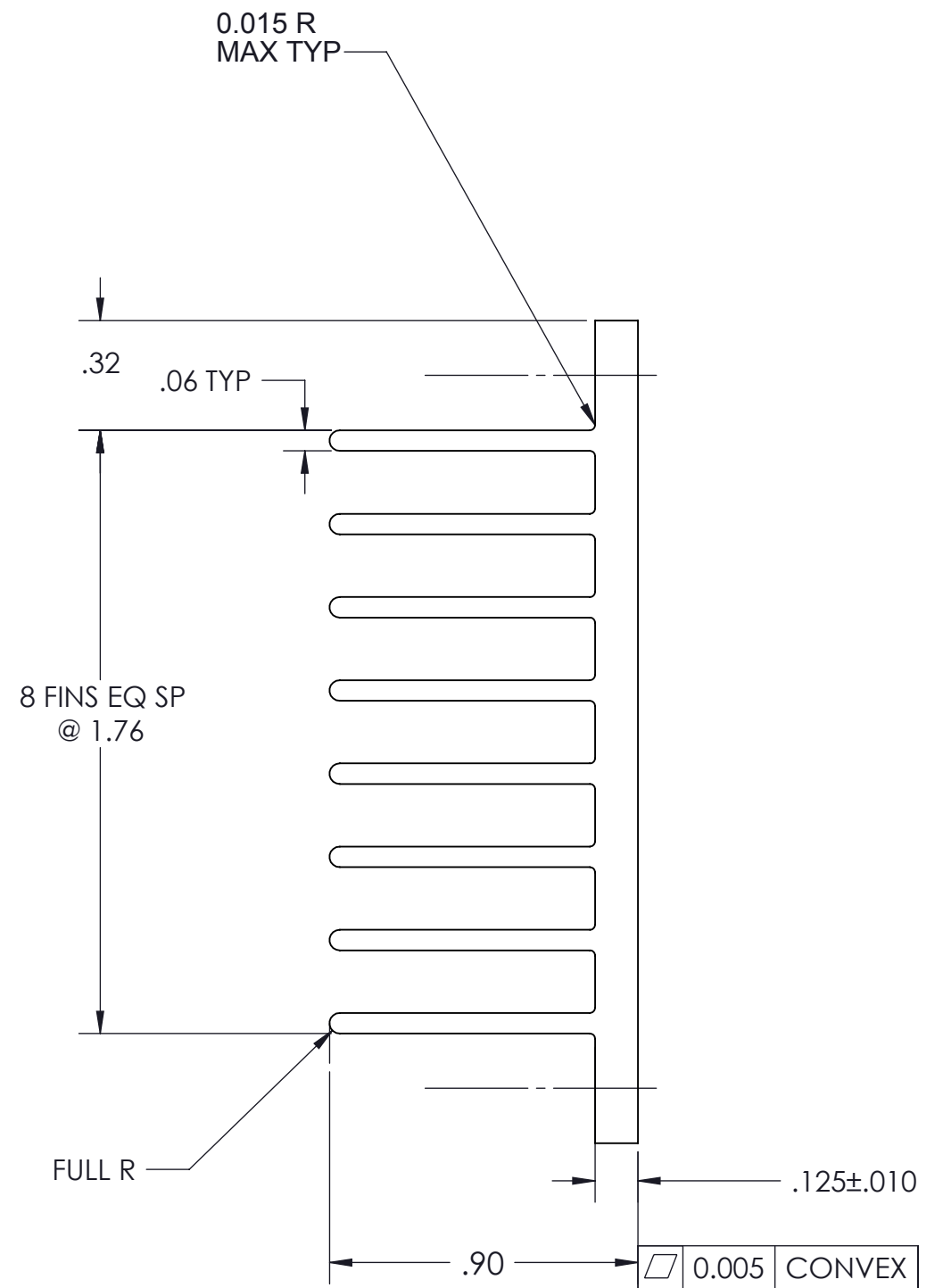
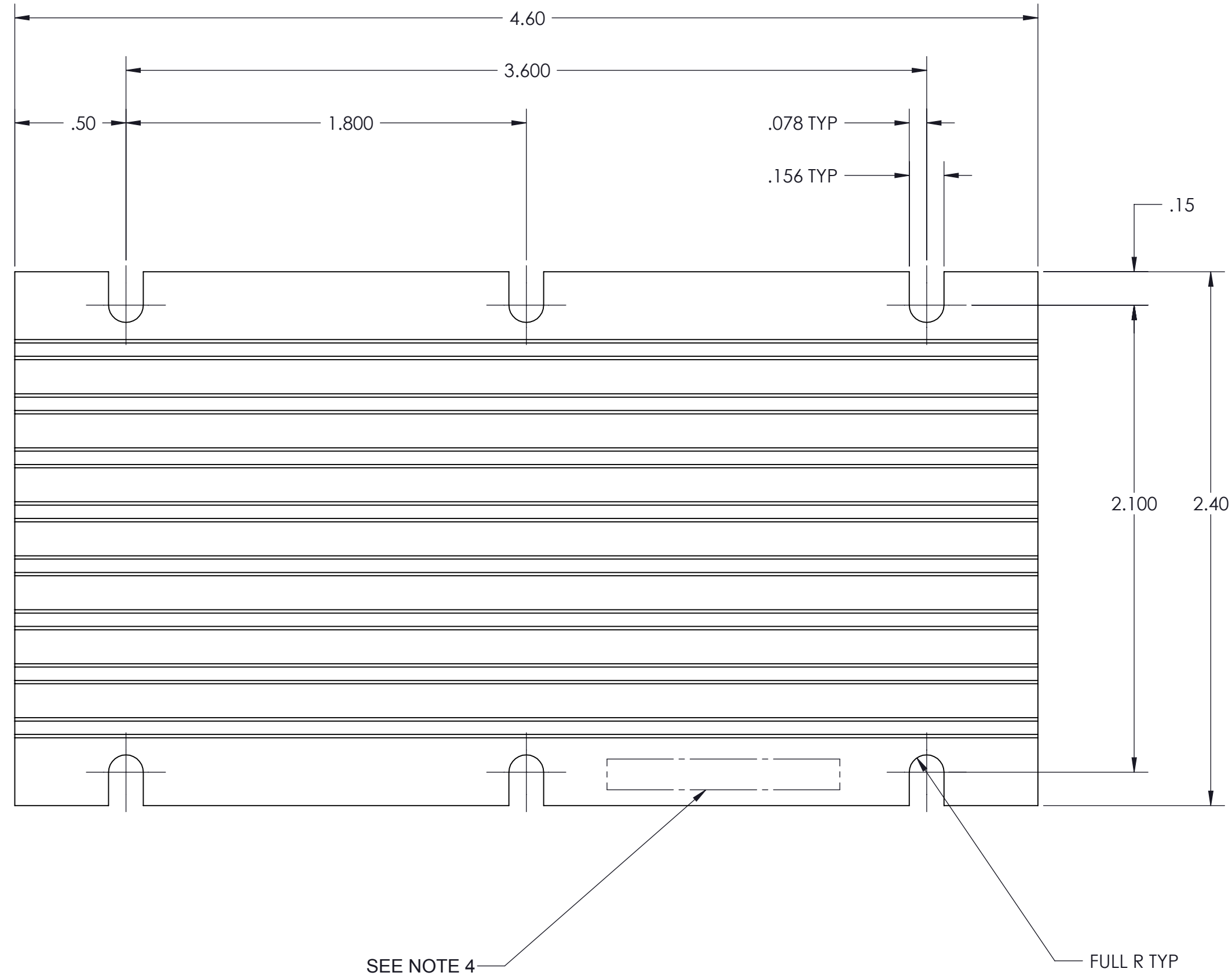


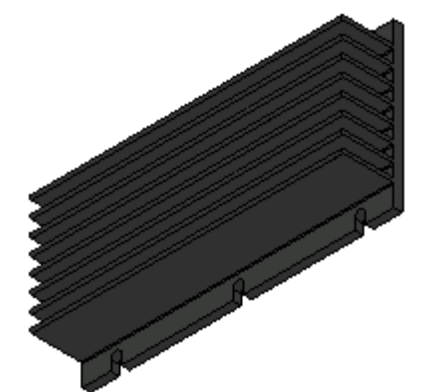
VICOR CONFIDENTIAL
 THIS DOCUMENT AND THE DATA DISCLOSED HEREIN OR
 HEREWITH IS NOT TO BE REPRODUCED, USED OR
 DISCLOSED IN WHOLE OR IN PART TO ANYONE WITHOUT
 THE PERMISSION OF VICOR CORP.


REV.	DESCRIPTION	INTL	DATE	APVD
1	RELEASED PER E050349	PEI	11/15/05	ECF
2	REVISED PER E100841	KUK	06/22/10	GCK
3	REVISED PER E140550a	GCK	05/01/14	TO



FREE CONVECTION	3.3
200 LFM	2.0
600 LFM	0.84

- NOTES:
1. MATERIAL: 6063-T5 ALUMINUM.
 2. REMOVE ALL LOOSE AND HANGING BURRS, OTHERWISE, BURRS SHALL NOT EXCEED .003.
 3. CLEAR FINISH ROHS COMPLIANT PER CST-0001, LATEST REVISION PER: A.) CHROMIUM FREE OR B.) TRIVALENT CHROMIUM IN ACCORDANCE WITH MIL-DLT-5541 TYPE II, CLASS 1A OR 3. CST-0003 FOR TYPES OF AVAILABLE FINISHES.
 4. MECHANICALLY STAMP OR USE OF LASER, WHITE OR BLACK EPOXY INK FOR PART NUMBER. REVISION LEVEL NOT REQUIRED, BUT MAY BE INCLUDED AT THE FABRICATORS DESCRETION.
 5. □ DENOTES CRITICAL CHARACTERISTIC FOR LOT INSPECTION.
 6. TOLERANCE ON ALL DIMENSIONS SHOWN AS REFERENCE SHALL FOLLOW STANDARD ALUMINUM ASSOCIATION TOLERANCE.



DRAWN BY Krishna Kamath	DATE 05/14/2010	VICOR SWD		
UNLESS OTHERWISE SPECIFIED DIMENSIONS ARE : INCH / (MM)		HEATSINK .9" HGT HORIZONTAL		
TOLERANCES ARE: DECIMALS ANGLES X.XX [X.X] = ±0.01 [0.25] ±1° X.XXX [X.XX] = ±0.005 [0.127]		SIZE C	CAGE CODE 67131	DWG NO 30089
THIRD ANGLE PROJECTION  DO NOT SCALE DRAWING		SCALE 2:1	REV 3	
		SHEET 1 OF 1		

X-ON Electronics

Largest Supplier of Electrical and Electronic Components

Click to view similar products for [Heat Sinks](#) category:

Click to view products by [Vicor](#) manufacturer:

Other Similar products are found below :

[581102B00000G](#) [656-15ABPE](#) [657-20ABPNE](#) [7020B-TC12-MTG](#) [73452PPBA](#) [7G0011A](#) [PF720G](#) [A22-4026](#) [120-1873-007](#) [HAH10L](#)
[HAH15L](#) [1542616-1](#) [HS-2506-F1](#) [HS-87M0-F2](#) [218-40CTE3](#) [231-69PAB-15V](#) [25-7520](#) [SW50-4G](#) [231-75PAB-13V](#) [231-75PAB-15V](#) [253-](#)
[122ABE-22](#) [PSC22CB](#) [HAF10L](#) [HAQ10T](#) [D10100-28](#) [BDN183CBA01](#) [3-21053-4](#) [32438](#) [TX0506-1B](#) [TX1806B](#) [LAE66A3CB](#) [WA-DT2-](#)
[101E](#) [511-3U](#) [73381PPBA](#) [73403PPBA](#) [7G0047C](#) [COMX-440-HSP](#) [510-12M](#) [D10650-40T5](#) [V8511 Y](#) [APF40-40-13CB/A01](#)
[780653U04500G](#) [ATS-54310K-C2-R0](#) [FK 216 CB SA](#) [FK 231 SA 220](#) [648-51AB](#) [657-20ABPESC](#) [2341BG](#) [679-25AG](#) [FK 212 CB SA](#)