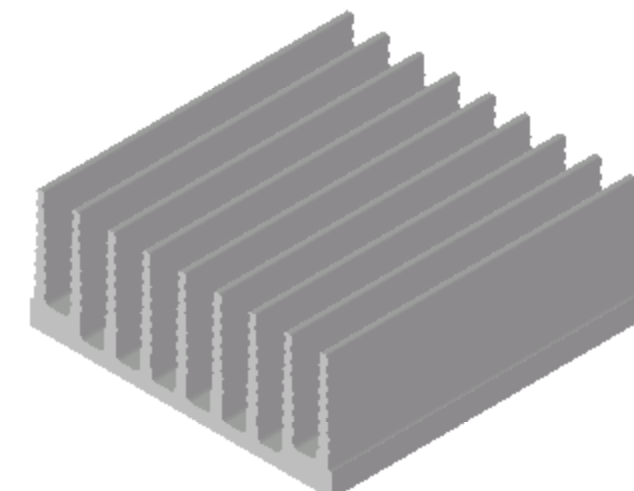
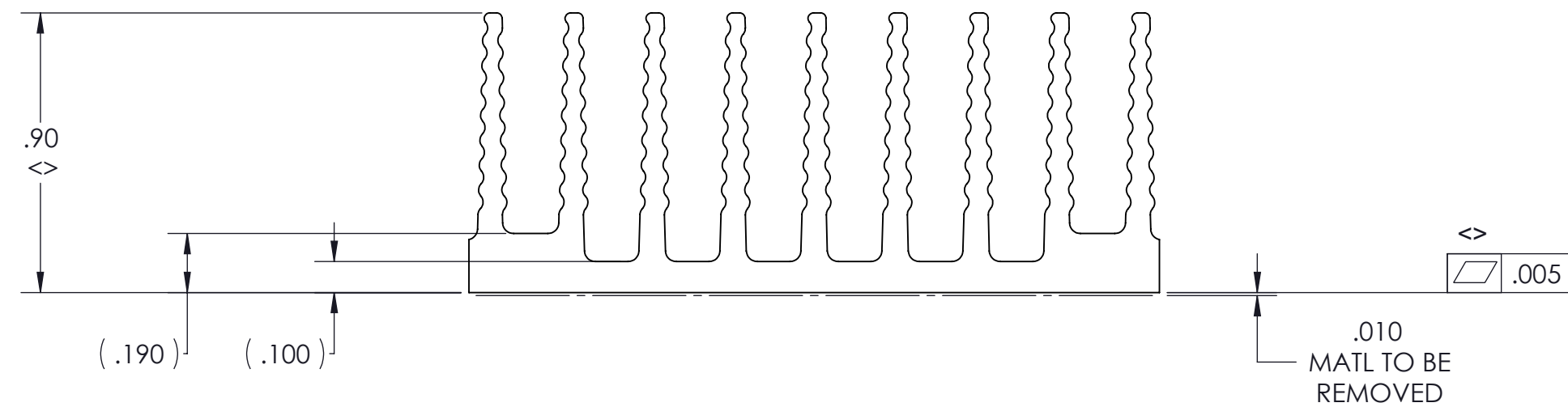
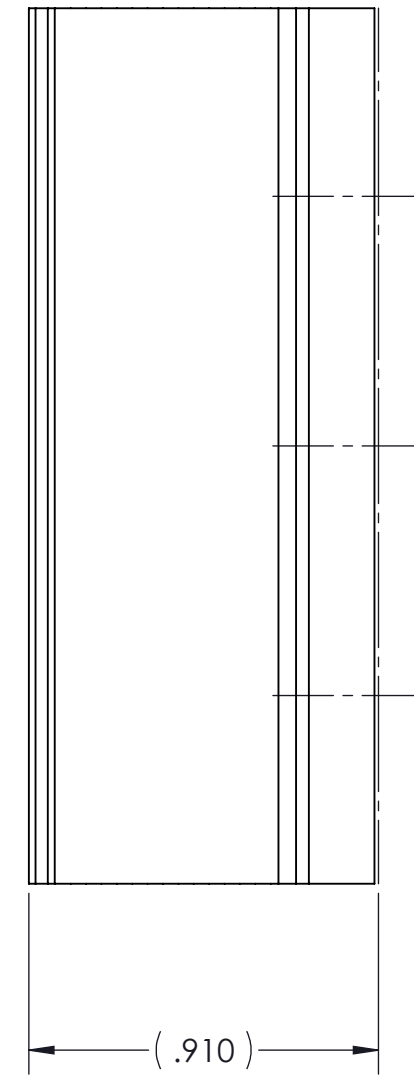
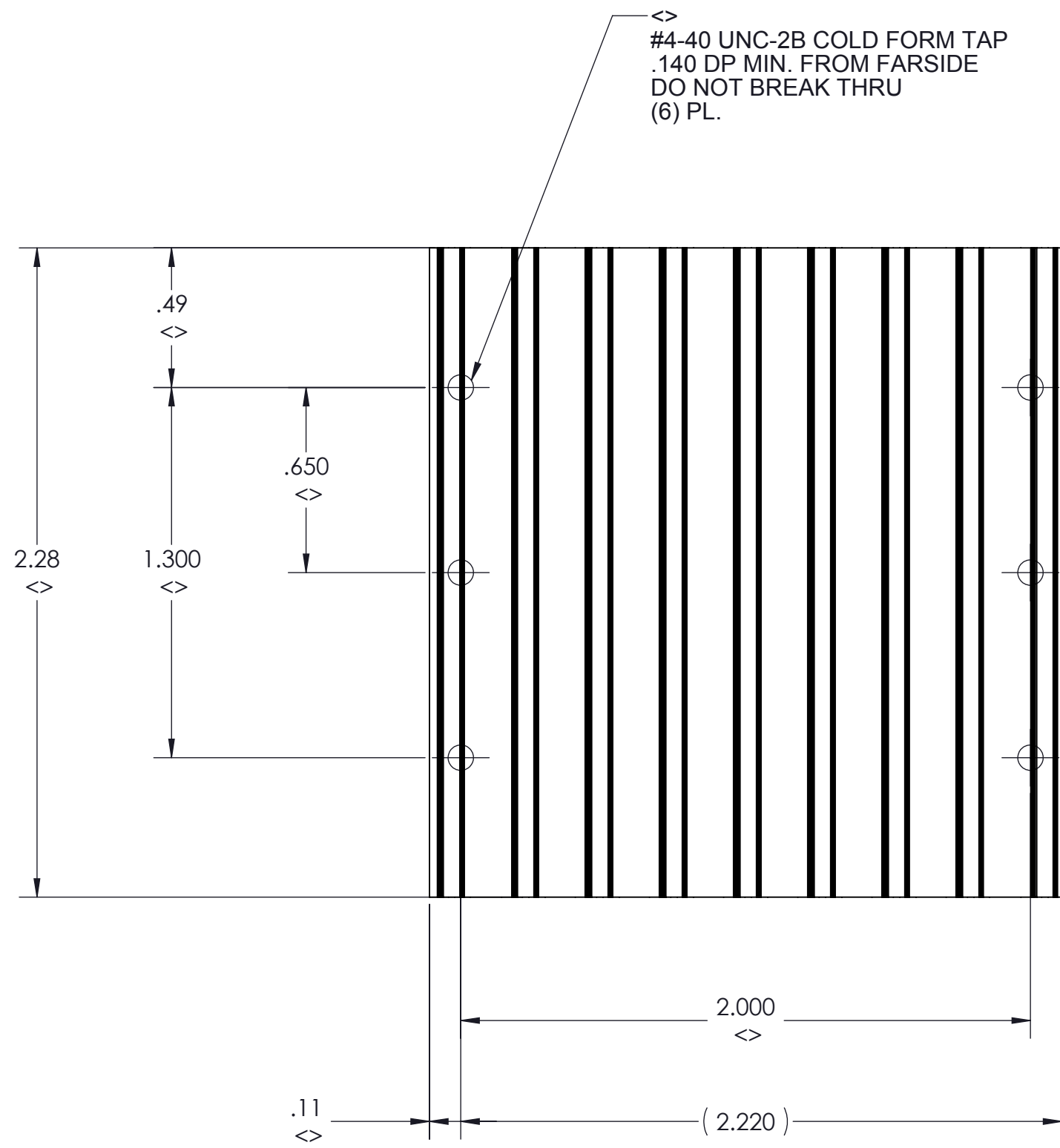


VICOR CONFIDENTIAL  
THIS DOCUMENT AND THE DATA DISCLOSED HEREIN OR  
HEREWITH IS NOT TO BE REPRODUCED, USED OR  
DISCLOSED IN WHOLE OR IN PART TO ANYONE WITHOUT  
THE PERMISSION OF VICOR CORP.

REV.	DESCRIPTION	DATE	APPROVED
3	RELEASED PER E090033	AR 01/09/09	REJH
4	REVISED PER E092035	JS 11/16/09	REJH
5	REDRAWN PER E100871	DCS 07/01/10	KUK
6	REVISED PER E111266	VSS 12/22/11	REJH



- NOTES:
1. MATERIAL: EXTRUSION SEE SHEET 2 OF 2
  2. REMOVE ALL BURRS AND SHARP EDGES.
  - <>3. CLEAR FINISH, RoHS COMPLIANT PER CST-0001, LATEST REVISION PER  
A) CHROMIUM FREE, OR  
B) TRIVALENT CHROMIUM IN ACCORDANCE WITH MIL-DTL-5541, TYPE II, CLASS 1A OR 3.  
SEE CST-0003 FOR TYPES OF AVAILABLE FINISHES.
  4. "<>" DENOTES CRITICAL CHARACTERISTIC FOR LOT INSPECTION.
  5. DIMENSIONS ARE INCHES ONLY.

DRAWN BY Robert Hickey	DATE 07/01/2010	SWD		
UNLESS OTHERWISE SPECIFIED DIMENSIONS ARE : INCH / (MM)		<b>HTSNK "B" LONG .9H LO FLO THD</b>		
TOLERANCES ARE: DECIMALS      ANGLES X.XX [X.X] = ±0.01 [0.25]      ±1° X.XXX [X.XX] = ±0.005 [0.127]		SIZE <b>C</b>	CAGE CODE <b>67131</b>	DWG NO <b>30189</b>
THIRD ANGLE PROJECTION DO NOT SCALE DRAWING		SCALE 2:1	REV <b>6</b> SHEET 1 OF 2	

8

7

6

5

4

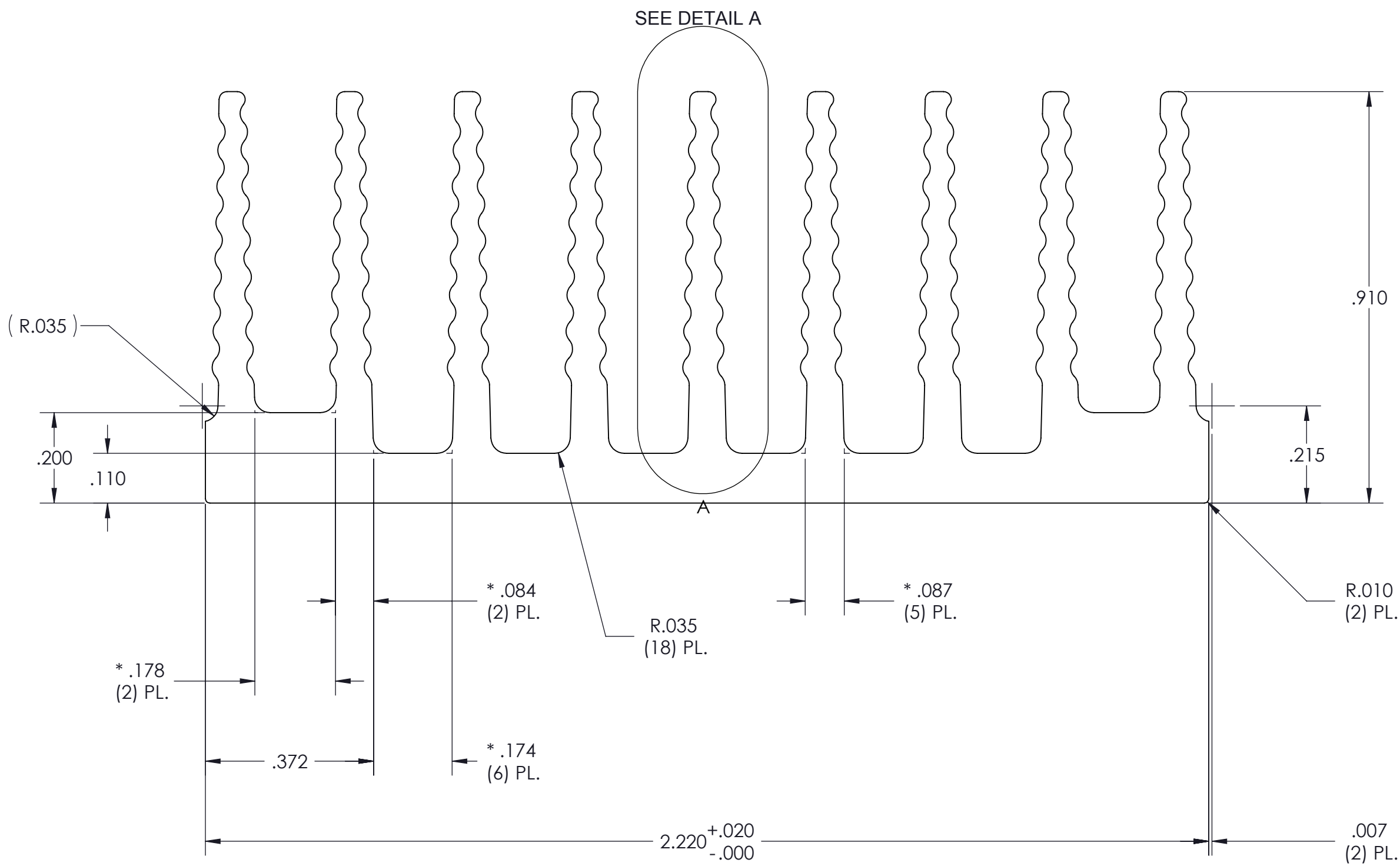
3

2

1

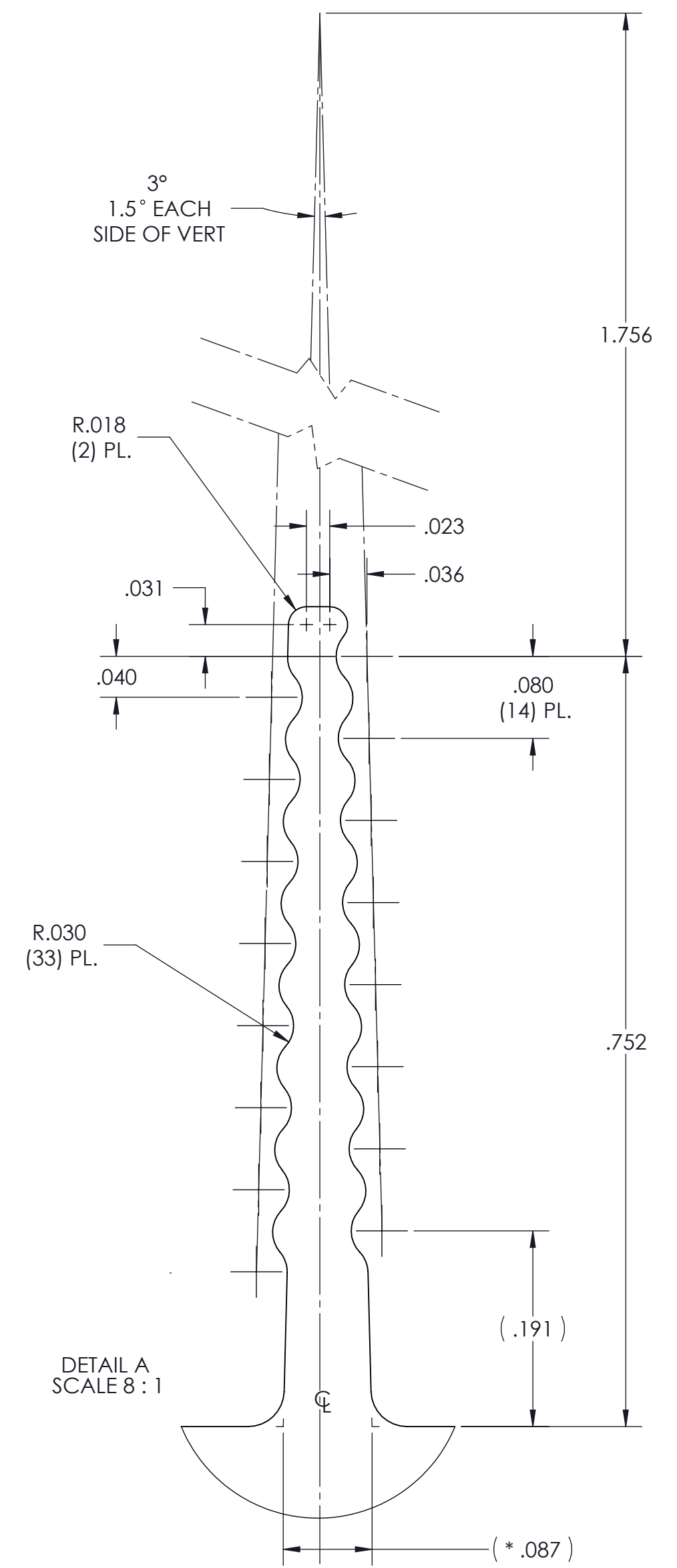
VICOR CONFIDENTIAL  
 THIS DOCUMENT AND THE DATA DISCLOSED HEREIN OR  
 HEREWITH IS NOT TO BE REPRODUCED, USED OR  
 DISCLOSED IN WHOLE OR IN PART TO ANYONE WITHOUT  
 THE PERMISSION OF VICOR CORP.


REV.	DESCRIPTION	DATE	APPROVED
	SEE SHEET 1 OF 2		



PROFILE COMMON FOR
30123
30181
30189
30182
30188

- NOTES:
1. MATERIAL: ALUMINUM 6063-T5
  2. \* DENOTES DIMENSION TO THEORETICAL SHARP CORNER.
  3. ALL DIMENSIONS ARE CRITICAL CHARACTERISTICS.
  4. RoHS COMPLIANT PER CST-0001 LATEST REVISION.
  5. WORKMANSHIP STANDARDS WS-0004, WS-0006, AND WS0007 APPLY TO THIS PART.
  6. DIMENSIONS ARE INCHES ONLY.



DRAWN BY Robert Hickey	DATE 07/01/2010	<b>VICOR</b> SWD		
UNLESS OTHERWISE SPECIFIED DIMENSIONS ARE : INCH / (MM)		<b>HTSNK "B" LONG .9H LO FLO THD</b>		
TOLERANCES ARE: DECIMALS                      ANGLES X.XX [X.X] = ±0.01 [0.25]                      ±1° X.XXX [X.XX] = ±0.005 [0.127]		SIZE <b>C</b>	CAGE CODE <b>67131</b>	DWG NO <b>30189</b>
THIRD ANGLE PROJECTION 		SCALE 1:1	REV <b>6</b>	
DO NOT SCALE DRAWING		SHEET 2 OF 2		

8

7

6

5

4

3

2

1

## X-ON Electronics

Largest Supplier of Electrical and Electronic Components

*Click to view similar products for [Thermal Interface Products](#) category:*

*Click to view products by [Vicor](#) manufacturer:*

Other Similar products are found below :

[7721-9PPS](#) [FGN80-2](#) [PFM-172-60](#) [A-40](#) [174-9-230P](#) [9601-7](#) [5300AC](#) [1.500G](#) [08133](#) [V6622C](#) [TVQF-1225-07S](#) [TP0001](#) [4860](#) [SC80-W2](#)  
[V6516C](#) [A17713-06](#) [A17713-05](#) [A17690-06](#) [A17775-03](#) [A17690-05](#) [A17690-03](#) [A17653-02](#) [A17689-02](#) [A17690-04](#) [A17775-05](#) [A17775-](#)  
[06](#) [A17690-08](#) [A17690-02](#) [A17689-06](#) [A17653-06](#) [A17690-12](#) [A17653-03](#) [A17536-02](#) [A17689-03](#) [A17536-10](#) [A17752-13](#) [A17752-04](#)  
[A17752-07](#) [A17634-12](#) [19-36565-0001-1](#) [A17752-09](#) [22000-001A](#) [A17752-20](#) [A17752-16](#) [A17752-12](#) [A17653-04](#) [A17634-10](#) [A17634-09](#)  
[A17634-07](#) [A17633-20](#) [A17633-07](#)