

8

7

6

5

4

3

2

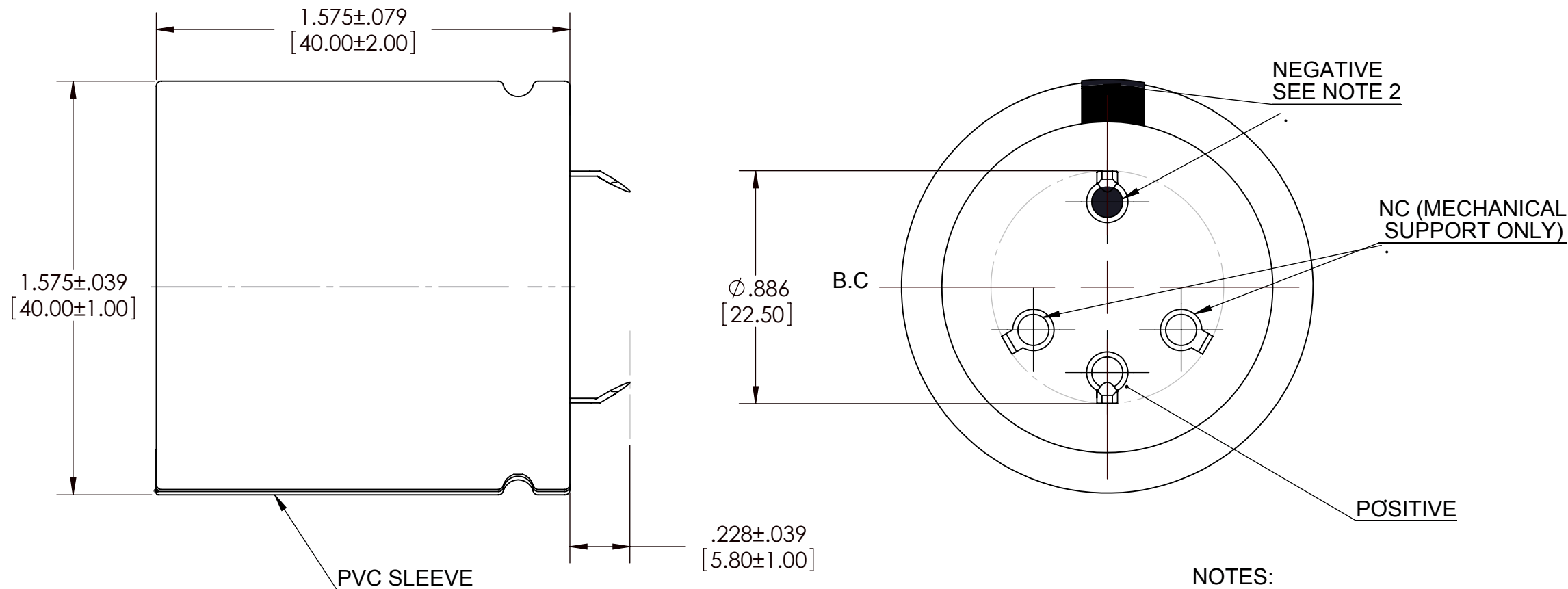
1

VICOR CONFIDENTIAL

THIS DOCUMENT AND THE DATA DISCLOSED HEREIN OR HEREWITH IS NOT TO BE REPRODUCED, USED OR DISCLOSED IN WHOLE OR IN PART TO ANYONE WITHOUT THE PERMISSION OF VICOR CORP.

REVISIONS

REV	DESCRIPTION	DATE	APPROVED
1	RELEASE PER E060753	GCK 06/21/06	SH
2	REVISED PER E100698A	KUK 5/19/10	JG



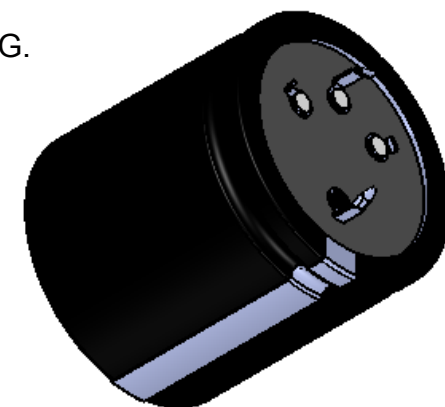
- NOTES:
 1. RoHS COMPLIANT, LEAD FREE PER CST-0001 LATEST REVISION.
 2. NEGATIVE MAY BE SHOWN BY EITHER MARKING.

ELECTRICAL CHARACTERISTICS @ T=20°C (UNLESS OTHERWISE SPECIFIED)

PARAMETER	SYMBOL	MIN	TYP	MAX	UNITS	TEST CONDITIONS
CAPACITANCE	C	376	470	564	mF	@ 120 Hz, 20°C
WORKING VOLTAGE	V _{DCW}	450			V	
SURGE VOLTAGE	V surge			500	V	
LEAKAGE CURRENT	I _{DCL}			3	mA	@ 20°C, 5 MINUTES @ RATED VOLTAGE
DISSIPATION FACTOR	DF			0.15		
EQUIVALENT SERIES RESISTANCE	ESR			.529	Ω	@ 120 Hz, 20°C
RIPPLE CURRENT	I _{RMS}			1.78	A	@ 120 Hz, +105°C
OPERATING TEMPERATURE	T _{OP}	-25°C - +105°C			°C	

MARKING:

MFG. ID/PF CODE



DRAWN	DATE			SWD	
P.E. IENI	08/03/05				
UNLESS OTHERWISE SPECIFIED DIMENSIONS ARE INCH [MM] TOLERANCES ARE: DECIMALS ANGLES X.XX [X.X] = ±0.01 [0.25] ±1° X.XXX [X.XX] = ±0.005 [0.127]		CAPACITOR ALEL 470uF ± 20% 450V			
MATERIAL	THIRD ANGLE PROJECTION	SIZE	CAGE CODE	DWG NO	REV
FINISH		B	67131	30249	2
DO NOT SCALE DRAWING		SCALE 2 : 1		SHEET 1 OF 1	

8

7

6

5

4

3

2

1

X-ON Electronics

Largest Supplier of Electrical and Electronic Components

Click to view similar products for [Aluminium Electrolytic Capacitors - Snap In](#) category:

Click to view products by [Vicor](#) manufacturer:

Other Similar products are found below :

[NRLF103M25V35X20F](#) [EET-XB2W221LA](#) [419-2066-400](#) [B41231C4229M](#) [B43508C5337M062](#) [MAL215969181E3](#)
[383LX332M250N082V](#) [LGZ2W101MELB30](#) [LGZ2W151MELB40](#) [LGZ2W271MELC45](#) [LGZ2W221MELC40](#) [LGZ2W331MELC50](#)
[LGZ2W121MELC25](#) [HFE102M35070FVA](#) [KN821M40035x50A](#) [EHP337M2DO25SW](#) [EKMM451VSN471MA45S](#)
[EKMW451VSN331MR30S](#) [ELXS601VSN121MA30S](#) [ESMH101VNN682MA50U](#) [KN471M20022*36A](#) [ELH2GM221P30KT](#)
[ELT2WM221Q35KT](#) [CK221MOH40B](#) [CK103MGI45B](#) [CL221KPI30B](#) [CL271MPI40B](#) [CL471MVJ50B](#) [EKMR451VSN471MA35S](#)
[EKMR451VSN151MP35S](#) [ELXS421VSN221MP45S](#) [KN331M40030*35A](#) [ELG229M016AS3AA](#) [B43541A6397M000](#) [B43544C6227M000](#)
[B43630B5477M067](#) [B43630F2827M000](#) [B43640E9477M000](#) [B43644J6477M000](#) [MAL215757331E3](#) [MAL229956561E3](#)
[MAL229966182E3](#) [MAL229967471E3](#) [MAL229967821E3](#) [ALC70A821EF400](#) [ALC70A102EH400](#) [MAL205658102E3](#) [MAL205855103E3](#)
[MAL209436471E3](#) [MAL215848103E3](#)