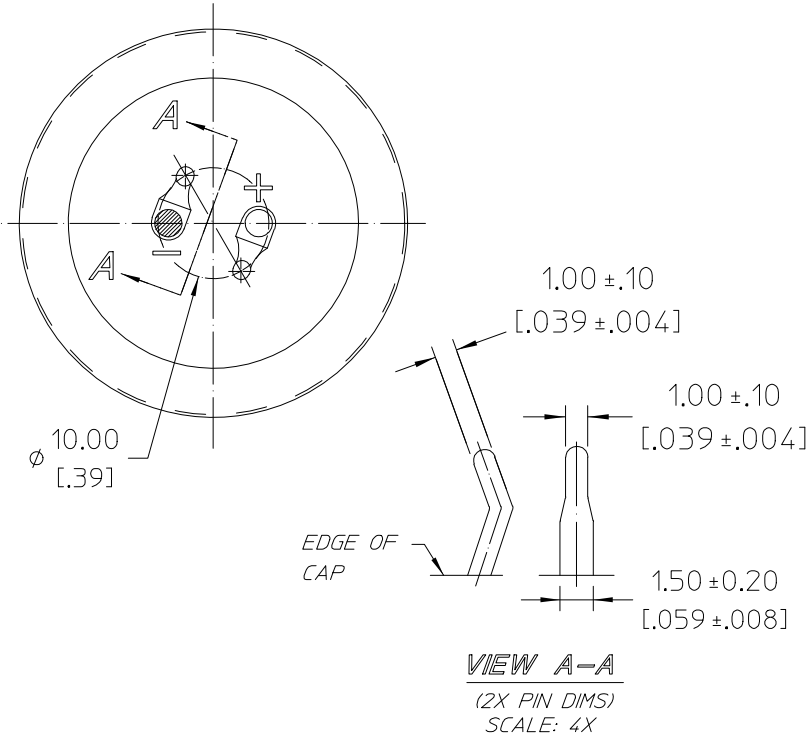
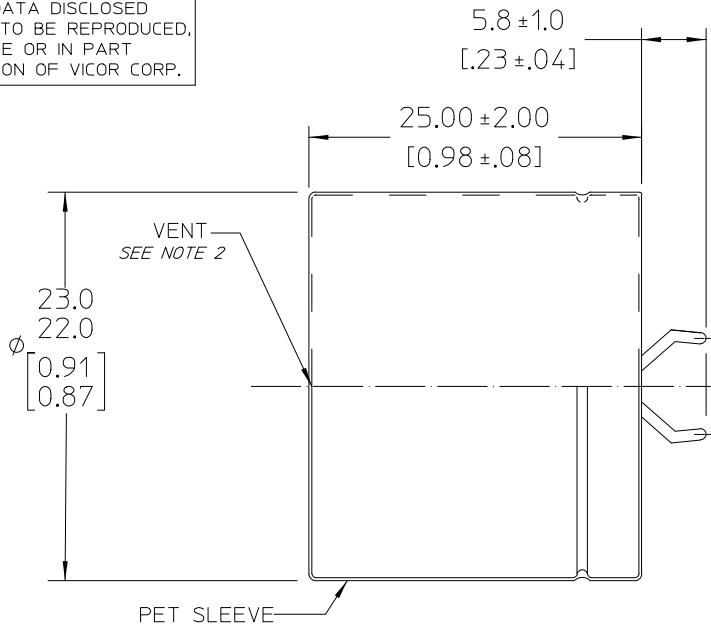


VICOR CONFIDENTIAL

THIS DOCUMENT AND THE DATA DISCLOSED HEREIN OR HERewith IS NOT TO BE REPRODUCED, USED, OR DISCLOSED IN WHOLE OR IN PART TO ANYONE WITHOUT PERMISSION OF VICOR CORP.

REV.	DESCRIPTION	DATE	APPROVED
1	RELEASED PER ECO Request E060016 REJH	10/26/06	MH
2	REVISED PER ECO Request E072353 REJH	09/26/07	CR
3	REVISED PER E091734 JS	09/28/09	MH



ELECTRICAL CHARACTERISTICS @ Ta= +20°C, 120Hz (UNLESS OTHERWISE SPECIFIED)

PARAMETER	SYMBOL	MIN	MAX	UNITS	TEST CONDITIONS
CAPACITANCE	C	216	324	µF	
WORKING VOLTAGE	V _{DCW}	200		Vdc	
SURGE VOLTAGE	V _{SURGE}		250	Vdc	
LEAKAGE CURRENT	I _{DCL}		1.08	mA	after 5 MINUTES
DISSIPATION FACTOR	tan δ		0.10		
EQUIVALENT SERIES RESISTANCE	ESR		0.614	Ω	
RIPPLE CURRENT	I _{RIPPLE}		1.27	Arms	+85°C
OPERATING TEMPERATURE RANGE	T _{OP}	-25	+85	°C	

- NOTES:
 1. MATERIAL: ALUMINUM ELECTROLYTIC.
 2. VENT MAY BE LOCATED ON EITHER SIDE OR BOTTOM OF CAP.
 3. FOR ADDITIONAL SPECS & DIMENSIONS- CONTACT VENDOR & CHECK DATA SHEET.
 4. RoHS COMPLIANT, LEAD FREE PER CST-0001 LATEST REVISION.

MAXIMUM PERMISSIBLE RIPPLE CURRENT

FREQUENCY MULTIPLIER

TEMPERATURE MULTIPLIER

FREQUENCY IN Hz					
50	120	300	1K	10K	100K
0.81	1.00	1.17	1.32	1.45	1.50

TEMPERATURE	+45°C	+60°C	+70°C	+85°C
MULTIPLIER	1.73	1.50	1.32	1.00

DRAWN BY KNIGHT	DATE 09/01/05
UNLESS OTHERWISE SPECIFIED DIMENSIONS ARE IN MM/[IN]- TOLERANCES ARE: DECIMALS ANGLES .XX= ± 0.254 [01] ± 1° .XXX= ± 0.127 [005]	
THIRD ANGLE PROJECTION	
DO NOT SCALE DRAWING	



**CAPACITOR, ALEL, RADIAL,
 270µF, ±20%, 200V**

SIZE B	FSCM NO. 67131	DWG NO 30769	REV 3
SCALE 2X	SHEET 1 OF 1		

X-ON Electronics

Largest Supplier of Electrical and Electronic Components

Click to view similar products for [Aluminium Electrolytic Capacitors - Radial Leaded](#) category:

Click to view products by [Vicor](#) manufacturer:

Other Similar products are found below :

[LXY50VB4.7M-5X11](#) [RFO-100V471MJ7P#](#) [B41041A2687M8](#) [B41041A7226M8](#) [B41044A7157M6](#) [EPA-201ELL151MM25S](#)

[NCD681K10KVY5PF](#) [KM4700/16](#) [KME50VB100M-8X11.5](#) [SG220M1CSA-0407](#) [ES5107M016AE1DA](#) [ESMG160ETD102MJ16S](#)

[ESRL25V330](#) [ESX472M16B](#) [SZ010M1500A5S-1015](#) [227RZS050M](#) [476CKH100MSA](#) [477CKR100M](#) [KME25VB100M-6.3X11](#)

[XRL50V22](#) [052687X](#) [107CKR010M](#) [EKMA500ELL4R7ME07D](#) [NRE-S560M16V6.3X7TBSTF](#) [RGA221M1CTA-0611G](#)

[ERZA630VHN182UP54N](#) [UPL1A331MPH](#) [MAL214658821E3](#) [MAL214658122E3](#) [SK106M016AC3KAKPLP](#) [SK107M025AE3EAKPLP](#)

[B43827A1106M8](#) [B41022A5686M6](#) [EKMA160EC3101MF07D](#) [ESMG160ETD221MF11D](#) [EKZH160ETD152MJ20S](#) [RBD-25V100KE3#N](#)

[EKMA350ELL100ME07D](#) [ESMG160ETD101ME11D](#) [EGXF500ELL561ML15S](#) [SK107M025AE3KAKPLP](#) [EKMG350ETD471MJ16S](#)

[MEA562M2G--D130](#) [MEA562M2W--D130](#) [35YXA330MEFC10X12.5](#) [RGA221M2ABK-1320G](#) [ERR1HM1R0D11OT](#)

[ERR1CM222W20OT](#) [TM1081EMF202RB](#) [RXQ271M2EBK-1836](#)