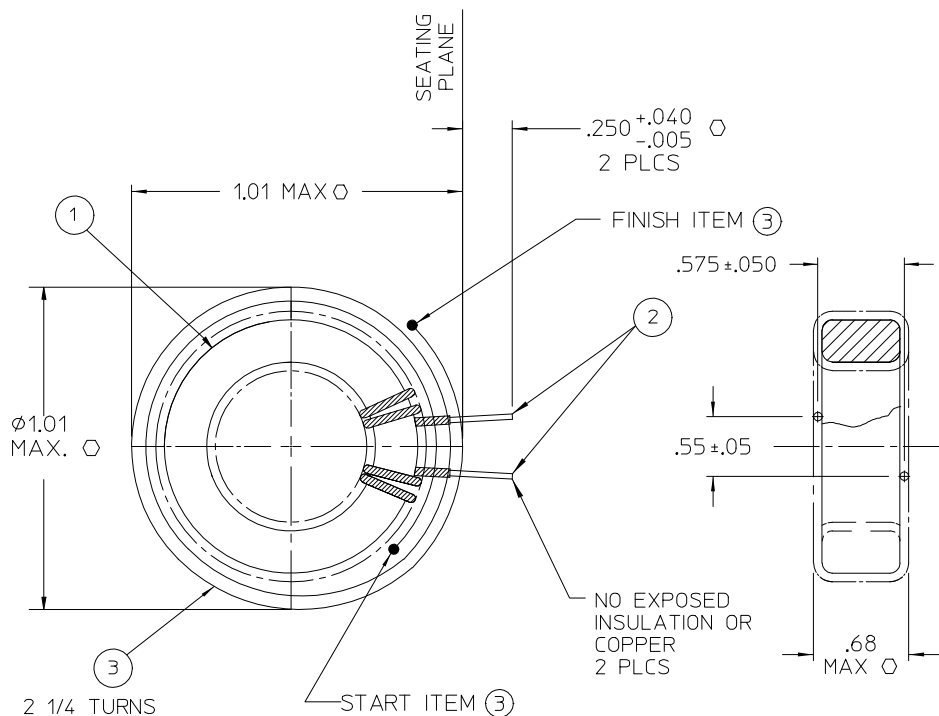


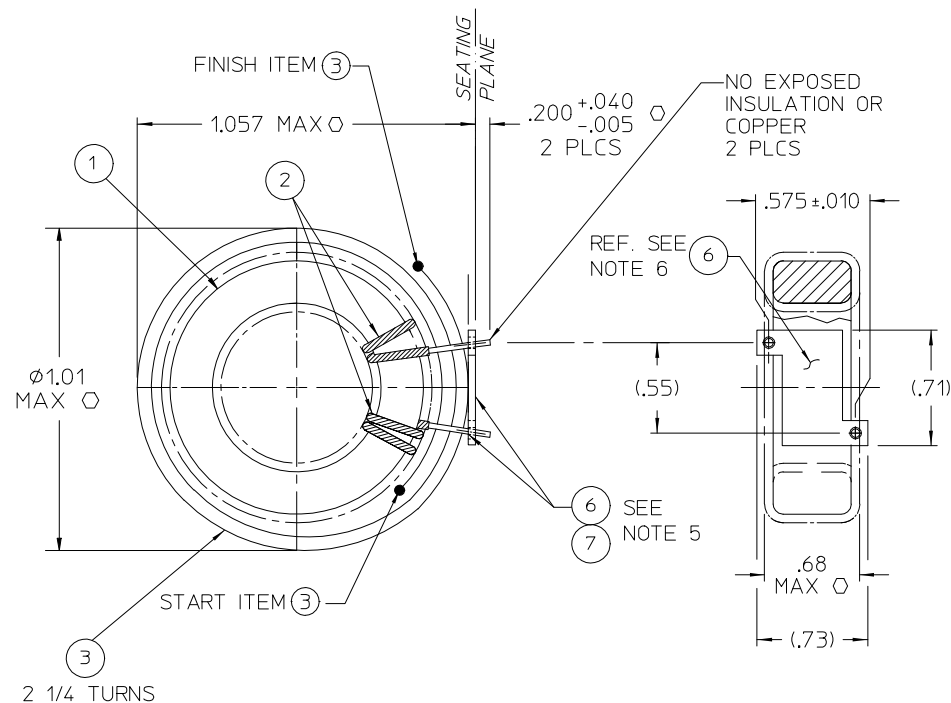
THIS DOCUMENT AND THE DATA DISCLOSED HEREIN OR HEREWITH IS NOT TO BE REPRODUCED, USED, OR DISCLOSED IN WHOLE OR IN PART TO ANYONE WITHOUT PERMISSION OF VICOR CORP.

REV.	DESCRIPTION	DATE	APPROVED
1	RELEASED PER E060516	02/21/06	MB
2	REVISED PER E080938	5/6/08	REJH
3	REVISED PER E081632a	08/22/08	CR

## WITHOUT SPACER



## WITH SPACER



**NOTES:**

1. ASSEMBLY TO BE FREE OF NICKS.
2. WINDINGS TO BE EVENLY SPACED.
3. RoHS COMPLIANT, LEAD FREE PER CST-0001 LATEST REVISION, MAGNETICS SECTION.
4. GENERAL WORKMANSHIP STANDARDS FOR MAGNETIC COMPONENTS PER WS-0002.
5. BOND SPACER (ITEM 6) TO DEVICE LEADS (2 PLACES), USING ADHESIVE (ITEM 7).
6. ORIENTATION OF ITEM 6 TO BE AS SHOWN.
7. ASSEMBLY MAY NOT HAVE ITEM 3 (TAPE).
8. Ø DENOTES CRITICAL CHARACTERISTIC FOR LOT INSPECTION.

REF VICOR P/N 32011  
REF VICOR P/N 32012  
REF VICOR P/N 32013

DRAWN BY <i>P.E.IENI</i>	DATE 11/14/05				
<small>UNLESS OTHERWISE SPECIFIED DIMENSIONS ARE IN INCHES - TOLERANCES ARE: FRACTIONS DECIMALS ANGLES +1/64 .XX+ .01 .X.XX+.005 *1°</small>					
<small>THIRD ANGLE PROJECTION</small> 		SIZE C	FSCM NO. 67131	DWG NO. 32015	REV 3
<small>DO NOT SCALE DRAWING</small>		SCALE	SHEET 1 OF 1		

## X-ON Electronics

Largest Supplier of Electrical and Electronic Components

*Click to view similar products for [Fixed Inductors](#) category:*

*Click to view products by [Vicor](#) manufacturer:*

Other Similar products are found below :

[CR43NP-680KC](#) [CR54NP-820KC](#) [CR54NP-8R5MC](#) [CTX32CT-100](#) [70F224AI](#) [MGDQ4-00004-P](#) [MHL1ECTTP18NJ](#) [MHL1JCTTD12NJ](#)  
[PE-51506NL](#) [PE-53601NL](#) [PE-53602NL](#) [PE-53630NL](#) [PE-53824SNLT](#) [PE-92100NL](#) [PG0434.801NLT](#) [PG0936.113NLT](#) [9310-16](#) [PM06-2N7](#) [PM06-39NJ](#) [A01TK](#) [1206CS-471XJ](#) [HC2-2R2TR](#) [HC2LP-R47-R](#) [HC3-2R2-R](#) [1206CS-151XG](#) [RCH664NP-140L](#) [RCH664NP-4R7M](#)  
[RCH8011NP-221L](#) [RCP1317NP-332L](#) [RCP1317NP-391L](#) [RCR1010NP-470M](#) [RCR110DNP-331L](#) [DH2280-4R7M](#) [DS1608C-106](#) [ASPI-4020HI-R10M-T](#) [B10TJ](#) [B82477P4333M](#) [B82498B3101J000](#) [B82498B3680J000](#) [ELJ-RE27NJF2](#) [1812CS-153XJ](#) [1812CS-183XJ](#) [1812CS-223XJ](#) [1812LS-104XJ](#) [1812LS-105XJ](#) [1812LS-124XJ](#) [1812LS-154XJ](#) [1812LS-223XJ](#) [1812LS-224XJ](#) [1812LS-563XJ](#)