

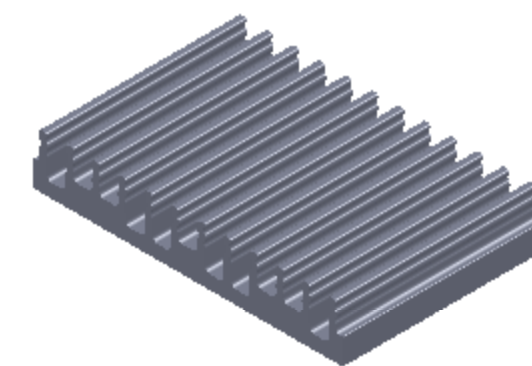
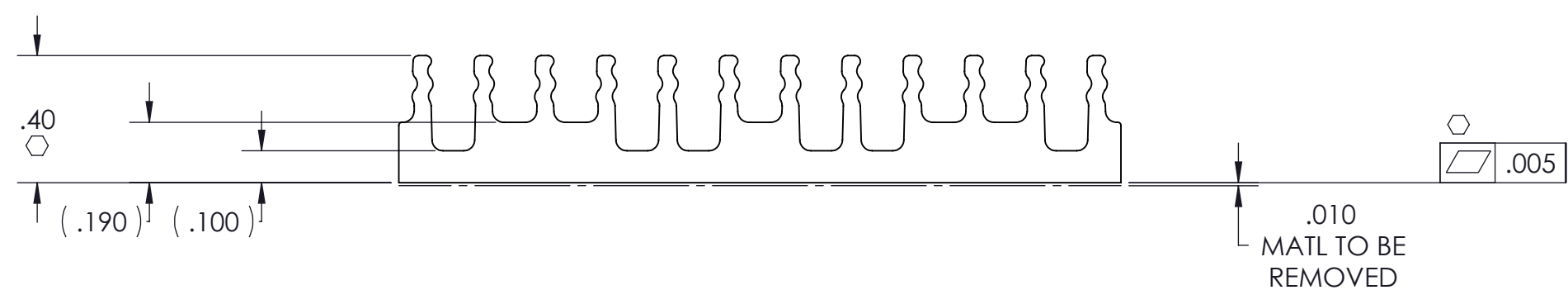
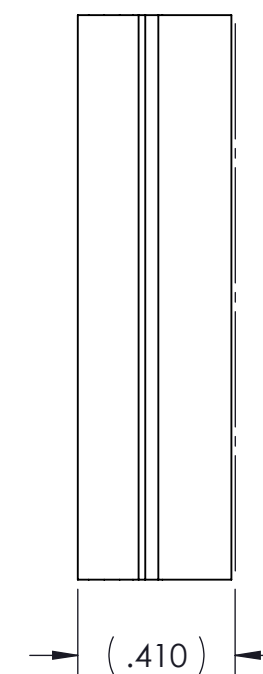
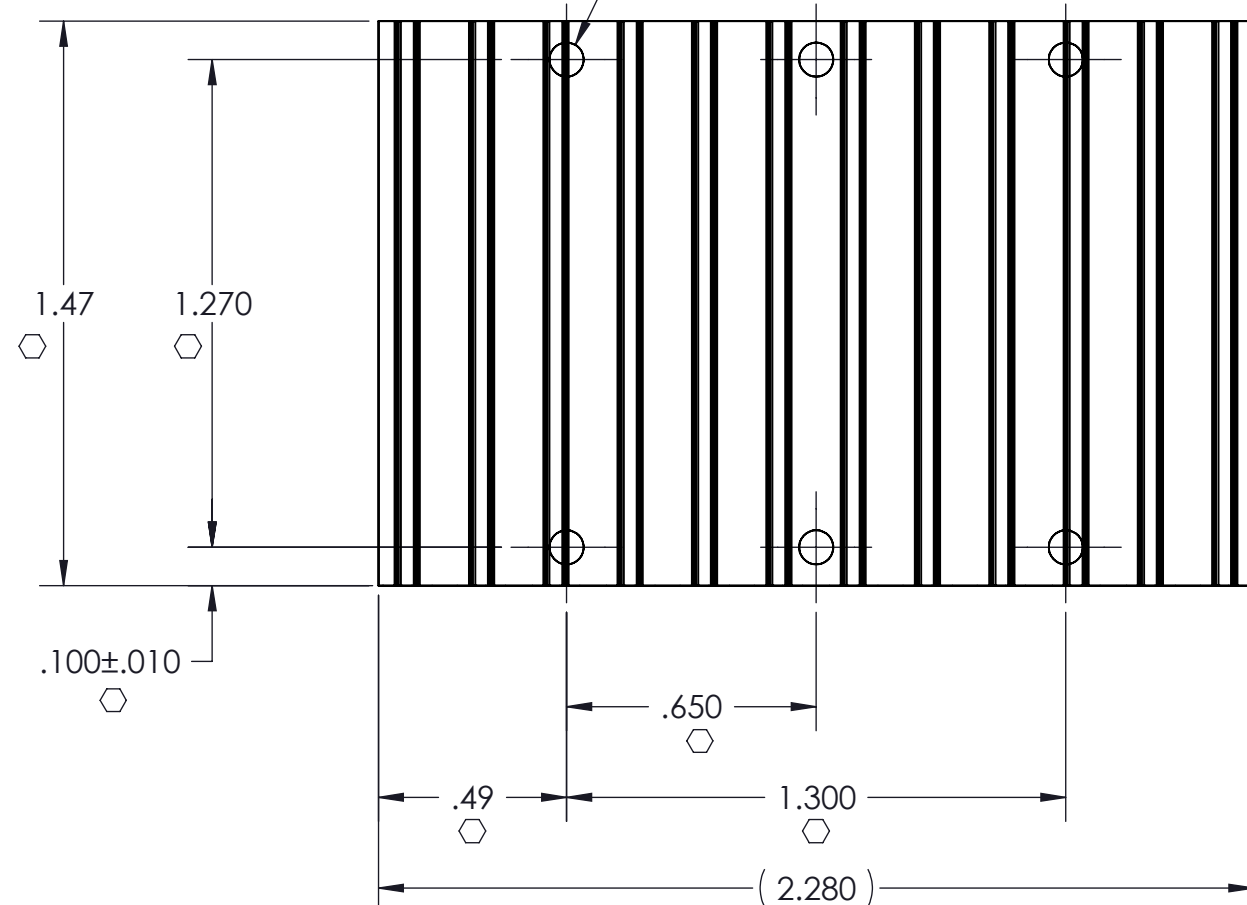
VICOR CONFIDENTIAL

THIS DOCUMENT AND THE DATA DISCLOSED HEREIN OR HEREWITH IS NOT TO BE REPRODUCED, USED OR DISCLOSED IN WHOLE OR IN PART TO ANYONE WITHOUT THE PERMISSION OF VICOR CORP.

REVISIONS

REV	DESCRIPTION	DATE	APPROVED
1	RELEASED PER E053488 PEI	01/04/06	ECF
2	DOCUMENT REVISED PER E091418 JS	08/19/09	REJH
3	REDRAWN PER E100902 DCS	7/14/10	KUK

#4-40 UNC-2B COLD FORM TAP  
.120 DP MIN. FROM FAR SIDE  
DO NOT BREAK THRU  
(6) PL.



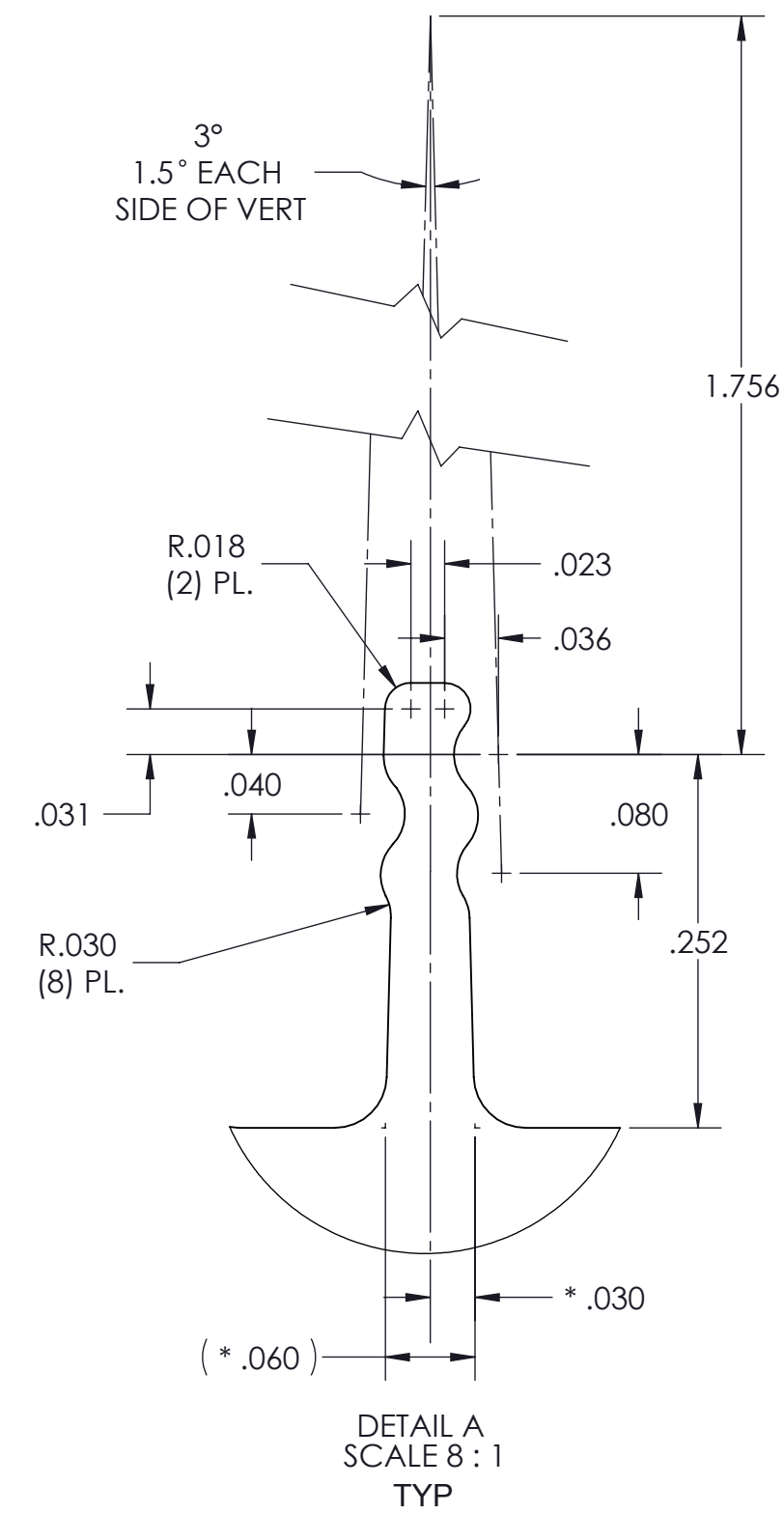
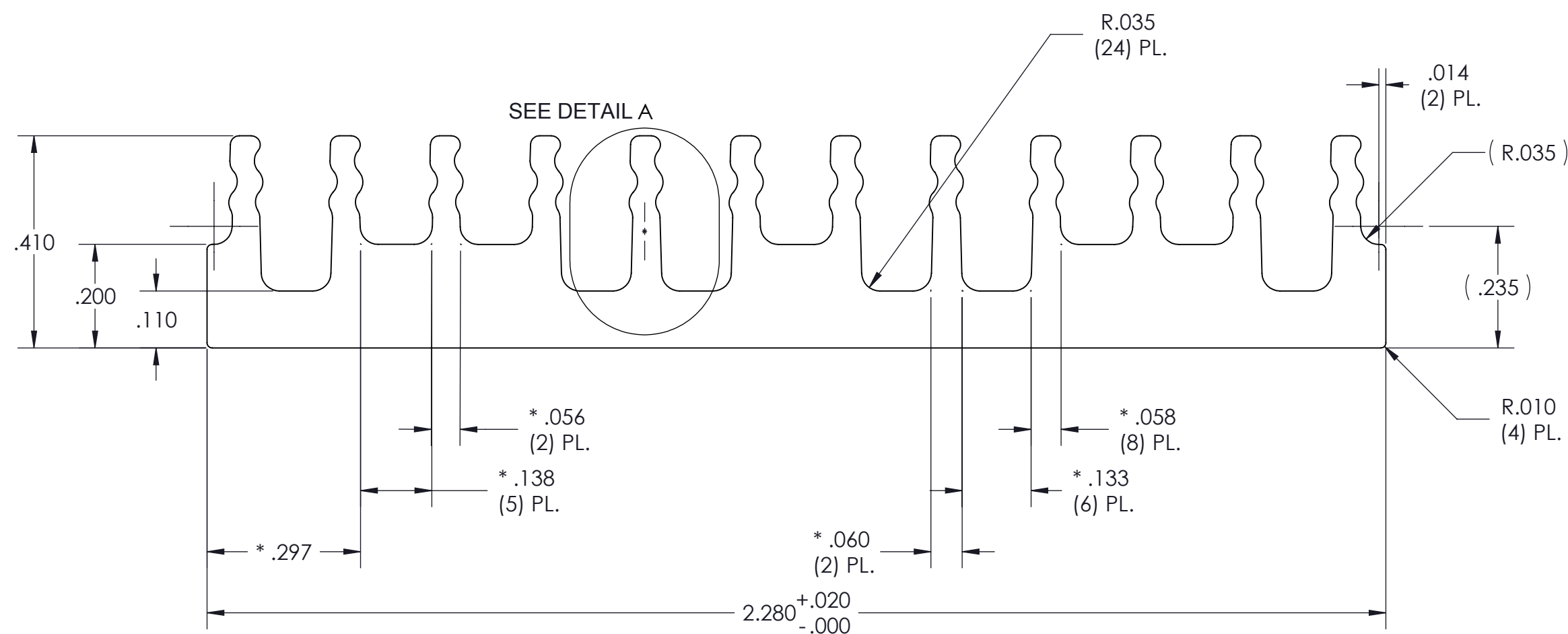
NOTES:

1. MATERIAL: EXTRUSION SEE SHEET 2 OF 2.
2. REMOVE ALL BURRS AND SHARP EDGES.
3. CLEAR FINISH, RoHS COMPLIANT, CHROMIUM FREE PER CST-0001 LATEST REVISION.
4. "○" DENOTES CRITICAL CHARACTERISTIC FOR LOT INSPECTION.
5. DIMENSIONS ARE INCHES ONLY.

DRAWN	DATE	VICOR			
P.E. IENI	12/01/05	SWD			
MATERIAL		UNLESS OTHERWISE SPECIFIED DIMENSIONS ARE INCH [MM]			
SEE NOTES		TOLERANCES ARE: DECIMALS ANGLES X.XX [X.X] = ±0.01 [0.25] ±1° X.XXX [X.XX] = ±0.005 [0.127]			
FINISH		THIRD ANGLE PROJECTION	SIZE	CAGE CODE	DWG NO
SEE NOTES			C	67131	32173
		DO NOT SCALE DRAWING	SCALE 2 : 1	SHEET 1 OF 2	
				DWG NO	REV
				32173	3

THIS DOCUMENT AND THE DATA DISCLOSED HEREIN OR HEREWITH IS NOT TO BE REPRODUCED, USED OR DISCLOSED IN WHOLE OR IN PART TO ANYONE WITHOUT THE PERMISSION OF VICOR CORP.

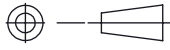
REV	DESCRIPTION	DATE	APPROVED
	SEE SHEET 1 OF 2		



PROFILE COMMON FOR
30722
32173
30721
30184

NOTES:

- MATL: ALUMINUM 6063-T5
- \*DENOTES DIMENSIONS TO THEORETICAL SHARP CORNER
- ALL DIMENSIONS ARE CRITICAL CHARACTERISTICS.
- RoHS COMPLIANT PER CST-0001 LATEST REVISION.
- WORKMANSHIP STANDARDS WS-0004, WS-0006 AND WS-0007 APPLY TO THIS PART.
- DIMENSIONS ARE INCHES ONLY.

DRAWN JSARIPPELLA		DATE 08/19/09		<b>VICOR</b> SWD		
MATERIAL SEE NOTES		UNLESS OTHERWISE SPECIFIED DIMENSIONS ARE INCH [MM] TOLERANCES ARE: DECIMALS ANGLES X.XX [X.X] = ±0.01 [0.25] ±1° X.XXX [X.XX] = ±0.005 [0.127]		<b>HS CFG "C" X-FLOW, .4H LOW FLOW, THREADED, EXTRUSION</b>		
FINISH SEE NOTES		THIRD ANGLE PROJECTION 		SIZE <b>C</b>	CAGE CODE <b>67131</b>	DWG NO <b>32173</b>
				REV <b>3</b>	SCALE 4 : 1 SHEET 2 OF 2	

## X-ON Electronics

Largest Supplier of Electrical and Electronic Components

*Click to view similar products for [Heat Sinks](#) category:*

*Click to view products by [Vicor](#) manufacturer:*

Other Similar products are found below :

[581102B00000G](#) [656-15ABPE](#) [657-20ABPNE](#) [7020B-TC12-MTG](#) [73452PPBA](#) [7G0011A](#) [PF720G](#) [A22-4026](#) [120-1873-007](#) [HAH10L](#)  
[HAH15L](#) [1542616-1](#) [HS-2506-F1](#) [HS-87M0-F2](#) [218-40CTE3](#) [231-69PAB-15V](#) [25-7520](#) [SW50-4G](#) [231-75PAB-13V](#) [231-75PAB-15V](#) [253-](#)  
[122ABE-22](#) [PSC22CB](#) [HAF10L](#) [HAQ10T](#) [D10100-28](#) [BDN183CBA01](#) [3-21053-4](#) [32438](#) [TX0506-1B](#) [TX1806B](#) [LAE66A3CB](#) [WA-DT2-](#)  
[101E](#) [511-3U](#) [73381PPBA](#) [73403PPBA](#) [7G0047C](#) [COMX-440-HSP](#) [510-12M](#) [D10650-40T5](#) [V8511 Y](#) [APF40-40-13CB/A01](#)  
[780653U04500G](#) [ATS-54310K-C2-R0](#) [FK 216 CB SA](#) [FK 231 SA 220](#) [648-51AB](#) [657-20ABPESC](#) [2341BG](#) [679-25AG](#) [FK 212 CB SA](#)