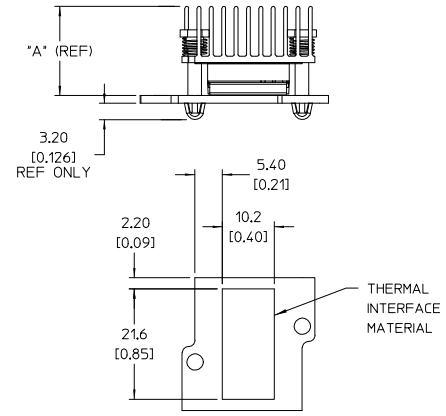
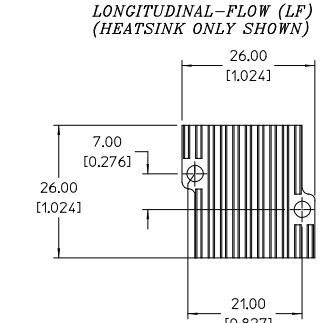
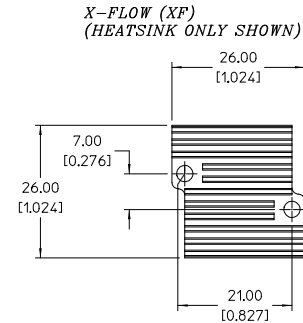
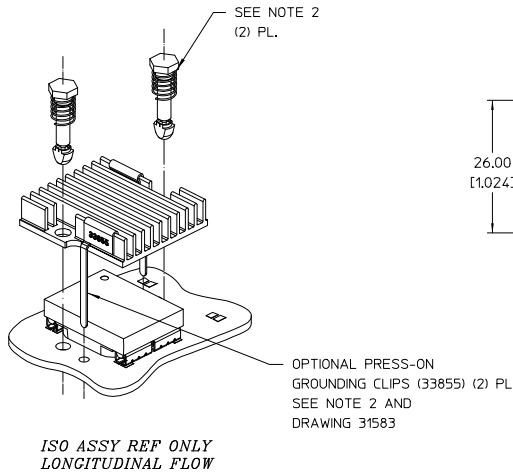
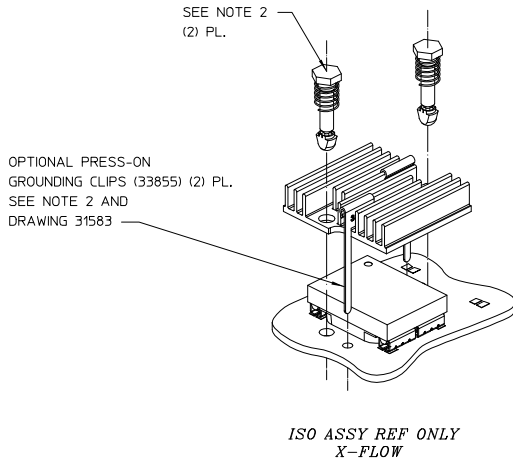


THIS DOCUMENT AND THE DATA DISCLOSED HEREIN OR HEREWITH IS NOT TO BE REPRODUCED, USED, OR DISCLOSED IN WHOLE OR IN PART TO ANYONE WITHOUT PERMISSION OF VICOR CORP.

REV.	DESCRIPTION	DATE	APVD
1	RELEASED PER E071774	JS 08/15/07	REJH
2	REVISED PER E080727	SA 4/9/08	REJH
3	REVISED PER E100891	GCK 7/8/10	REJH



BOTTOM VIEW  
(HEATSINK AND THERMAL INTERFACE MATERIAL ONLY)

NOTES:

- FOR PCB LAYOUT SEE VICOR APPLICATION DRAWING 31583
- PUSH-PIN INSTALLATION:  
TO MINIMIZE STRESS IN THE VIC-TO-PCB SOLDER CONNECTIONS, PRESS THE PUSH-PINS THROUGH THE HOLES ON THE HEATSINK AND PRESS THE OPTIONAL GROUNDING CLIPS (33855) ONTO THE HEATSINK FINS PRIOR TO HEATSINK INSTALLATION ON THE VIC.

ALIGN THE GROUNDING CLIPS TO THE PCB, PLACE THE HEATSINK ASSEMBLY ON THE SURFACE OF THE VIC, AND PRESS THE PUSH-PINS THROUGH THE HOLES ON THE PCB. IT IS CRITICAL TO SUPPORT THE UNDERSIDE OF THE PCB AT EACH HOLE LOCATION TO AVOID FLEXING THE PCB DURING PUSH-PIN INSTALLATION. SOLDER GROUNDING TABS TO PCB.

CARE SHOULD ALSO BE TAKEN TO AVOID FULLY COMPRESSING THE PUSH-PIN SPRINGS DURING INSTALLATION AS THIS WOULD EXPOSE THE VIC TO FORCES GREATER THAN THE RECOMMENDED LIMIT OF 15 LBF (6.7 N) PER PUSH-PIN.

- RoHS COMPLIANT PER CST-0001 LATEST REVISION.

PUSH-PIN FOR VI-CHIP HEATSINK CHART

PUSH-PINS W/ SPRINGS (100/BAG)	COLOR	PCB THK NOMINAL RANGE	PCB THK MINIMUM	PCB THK MAXIMUM
33622	WHITE	1.30 TO 1.75 MM [0.51" TO 0.069"]	1.168 MM [0.46"]	1.956 MM [0.77"]
33623	BLACK	1.78 TO 2.64 MM [0.70" TO 0.104"]	1.600 MM [0.63"]	2.921 MM [1.15"]
33624	BLUE	2.67 TO 3.35 MM [1.05" TO 0.132"]	2.388 MM [0.94"]	3.706 MM [1.46"]
33625	GRAY	3.38 TO 3.96 MM [1.33" TO 0.156"]	3.048 MM [1.20"]	4.369 MM [1.72"]

HEATSINK CHART

HEAT SINK HEIGHT	XF P/N	XF 'A' DIM	LF P/N	LF 'A' DIM
1MM	32784	17.83[.702]	32783	17.83[.702]
6.3MM	32786	13.13[.517]	32785	13.13[.517]

DRAWN BY: <b>PLV/DHAR</b> DATE: <b>10/26/06</b> UNLESS OTHERWISE SPECIFIED DIMENSIONS ARE IN INCHES DECIMALS AND FRACTIONS UNLESS OTHERWISE SPECIFIED DIMENSIONS ARE IN MILLIMETERS DECIMALS AND FRACTIONS THIRD ANGLE PROJECTION DO NOT SCALE DRAWING	
ASSEMBLY DWG HALF VIC PUSH PIN HEATSINK SIZE: <b>D</b> CAGE CODE: <b>67131</b> SCALE: <b>2:1</b>	DWG NO: <b>31594</b> REV: <b>3</b> SHEET 1 OF 1

## X-ON Electronics

Largest Supplier of Electrical and Electronic Components

*Click to view similar products for [Heat Sinks](#) category:*

*Click to view products by [Vicor](#) manufacturer:*

Other Similar products are found below :

[581102B00000G](#) [656-15ABPE](#) [657-20ABPNE](#) [7020B-TC12-MTG](#) [73452PPBA](#) [7G0011A](#) [PF720G](#) [A22-4026](#) [120-1873-007](#) [HAH10L](#)  
[1542616-1](#) [HS-2506-F1](#) [HS-87M0-F2](#) [218-40CTE3](#) [231-69PAB-15V](#) [25-7520](#) [SW50-4G](#) [231-75PAB-13V](#) [231-75PAB-15V](#) [253-122ABE-](#)  
[22](#) [PSC22CB](#) [HAF10L](#) [HAQ10T](#) [D10100-28](#) [BDN183CBA01](#) [3-21053-4](#) [32438](#) [TX0506-1B](#) [TX1806B](#) [LAE66A3CB](#) [WA-DT2-101E](#) [511-](#)  
[3U](#) [73381PPBA](#) [73403PPBA](#) [7G0047C](#) [COMX-440-HSP](#) [510-12M](#) [D10650-40T5](#) [V8511 Y](#) [APF40-40-13CB/A01](#) [780653U04500G](#) [ATS-](#)  
[54310K-C2-R0](#) [FK 216 CB SA](#) [FK 231 SA 220](#) [648-51AB](#) [657-20ABPESC](#) [2341BG](#) [679-25AG](#) [FK 212 CB SA](#) [FK225 SA L1](#)