

8

7

6

5

4

3

2

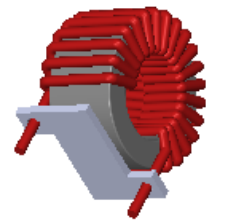
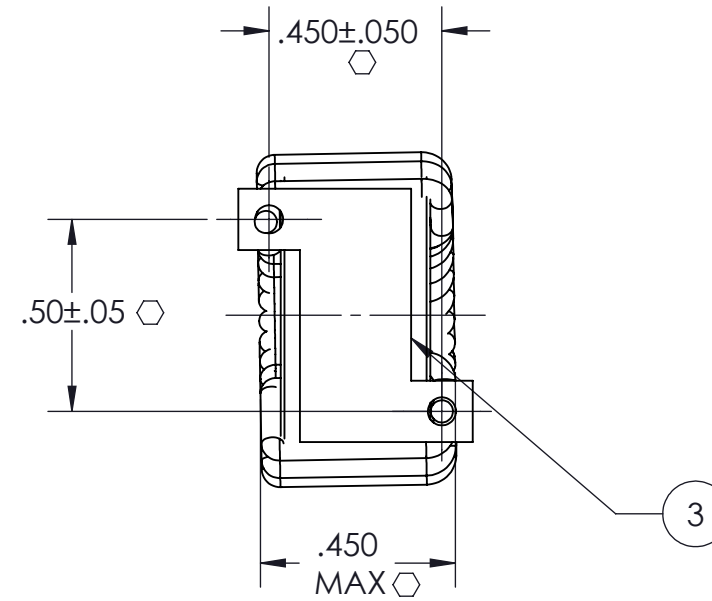
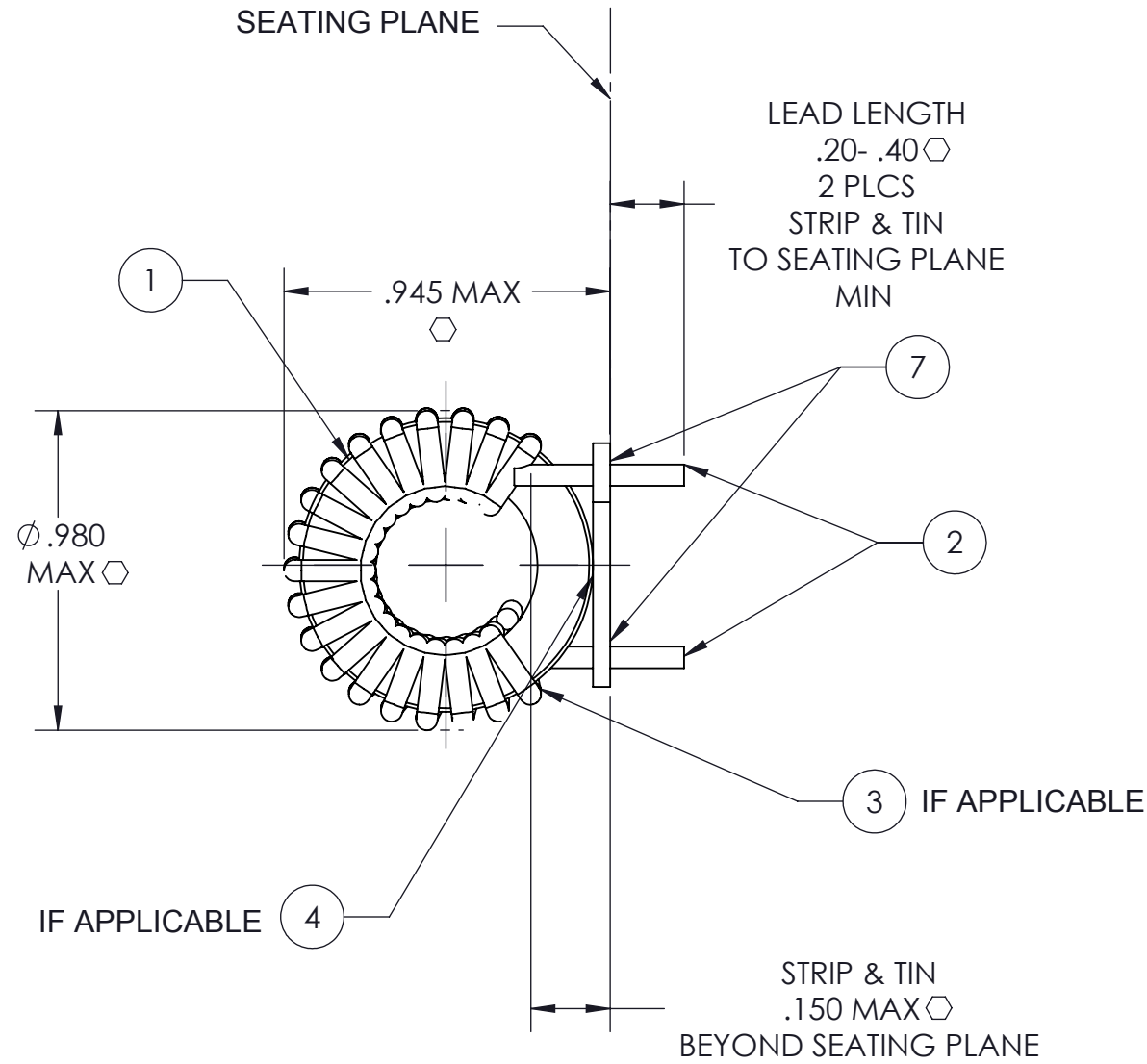
1

VICOR CONFIDENTIAL

THIS DOCUMENT AND THE DATA DISCLOSED HEREIN OR HEREWITH IS NOT TO BE REPRODUCED, USED OR DISCLOSED IN WHOLE OR IN PART TO ANYONE WITHOUT THE PERMISSION OF VICOR CORP.

REVISIONS

REV	DESCRIPTION	DATE	APPROVED
1	RELEASED PER E060461	02/01/06	PEI MB
2	REVISED PER E064534	10/17/06	REJH MB
3	REVISED PER E070923	05/01/07	SRG EM
4	REVISED PER E080938	05/06/08	SA REJH
5	REVISED PER E101309	10/22/10	KUK AR



- NOTES:
- ASSEMBLY TO BE FREE OF NICKS.
 - WINDINGS TO BE EVENLY SPACED.
 - RoHS COMPLIANT, LEAD FREE PER CST-0001 LATEST REVISION.
 - GENERAL WORKMANSHIP STANDARDS FOR MAGNETIC COMPONENTS PER WS-0002.
 - ⊕ DENOTES CRITICAL CHARACTERISTIC FOR LOT INSPECTION.
 - BOND THE MOUNT ITEM 3 IF APPLICABLE TO INDUCTOR LEADS (2 POSITIONS) USING EPOXY ITEM 7.

REF VICOR P/N 29764
REF VICOR P/N 33206

DRAWN	DATE				
P.E.IENI	11/04/05				
MATERIAL	UNLESS OTHERWISE SPECIFIED DIMENSIONS ARE INCH [MM] TOLERANCES ARE: DECIMALS ANGLES X.XX [X.X] = ±0.01 [0.25] ±1° X.XXX [X.XX] = ±0.005 [0.127]				
FINISH	THIRD ANGLE PROJECTION	SIZE	CAGE CODE	DWG NO	REV
		B	67131	32065	5
DO NOT SCALE DRAWING		SCALE 4 : 1		SHEET 1 OF 1	

TEST	2	PRI	20	14.7-22.1	8 MAX
1 KHz @ 10 mV	ITEM NO.	WINDING	NO. OF TURNS	IND.(uH)	DC RES (mΩ)

8

7

6

5

4

3

2

1

X-ON Electronics

Largest Supplier of Electrical and Electronic Components

Click to view similar products for [Mounting Fixings](#) category:

Click to view products by [Vicor](#) manufacturer:

Other Similar products are found below :

[5912235-2](#) [007541](#) [627](#) [M3783-7001](#) [71-074914-006](#) [75-69211-3P](#) [75-69214-6P](#) [75-69220-27S](#) [75-69224-5S](#) [7717-8DAP](#) [85043GULPR](#)
[85047GULPT](#) [85048GBESR](#) [FPK-02-R10](#) [PMS27488-001-01](#) [1-18023-0](#) [H-118-2](#) [DB1](#) [1302030464](#) [DC37-22-21PX](#) [1302010957](#)
[1302263564](#) [1302340393](#) [1404-0016-78](#) [14540](#) [1561-60](#) [1566](#) [1566](#) [BR16A](#) [HS4737-2001 REV G](#) [HS5659MB98PN](#) [NT20SATT01](#)
[201C5058-01-201 REV E](#) [22594-8](#) [KBB-141](#) [89078GBEPR](#) [89078GBESR](#) [915060](#) [SF4011-60101](#) [97-CS-50](#) [1671](#) [1855-54](#) [T-2085-SP](#)
[20800240002](#) [21899-4](#) [2193](#) [2518](#) [25745-1](#) [H-118-1](#) [354467](#)