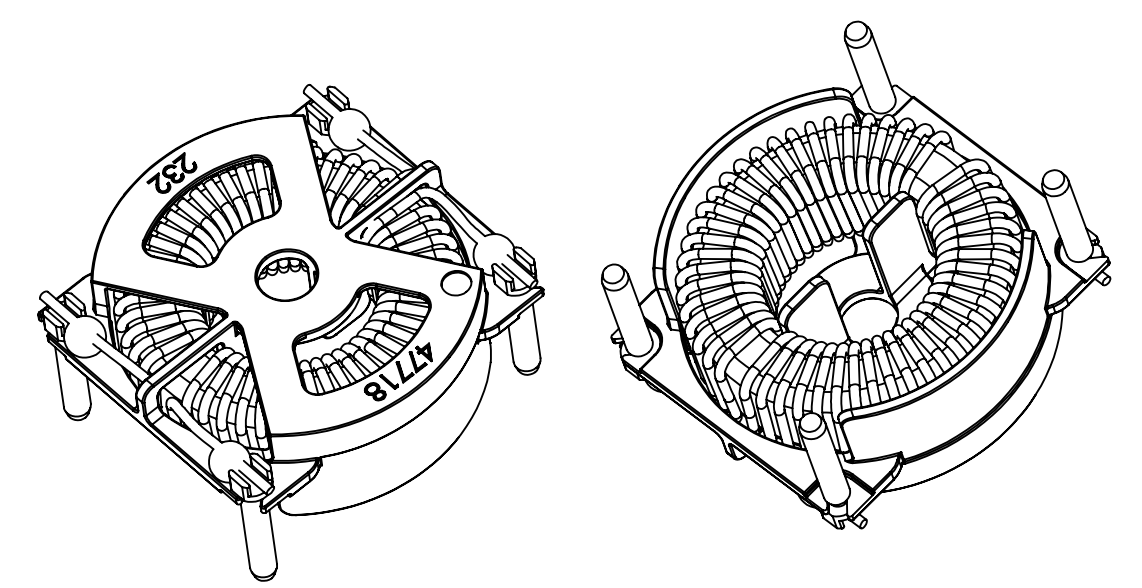
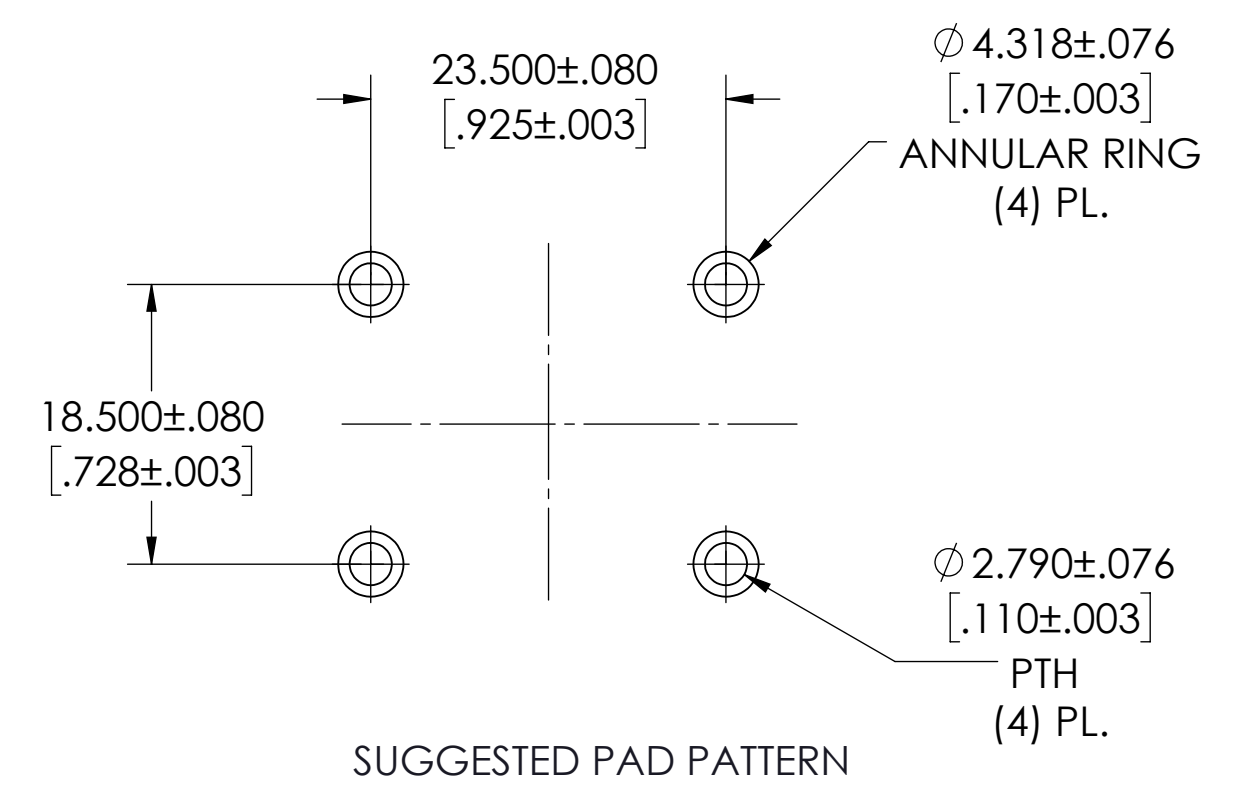
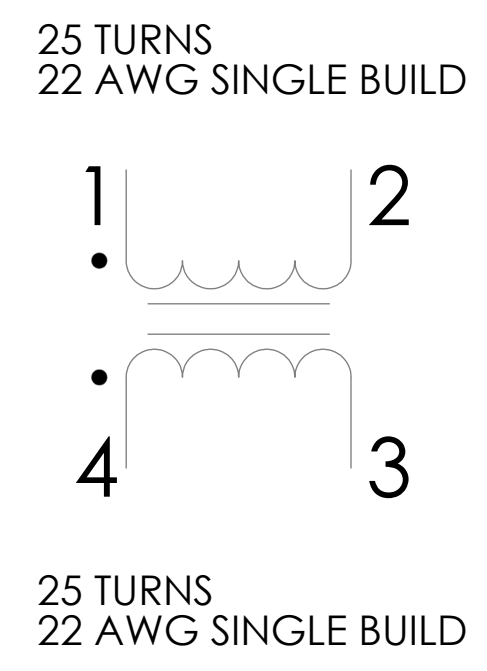
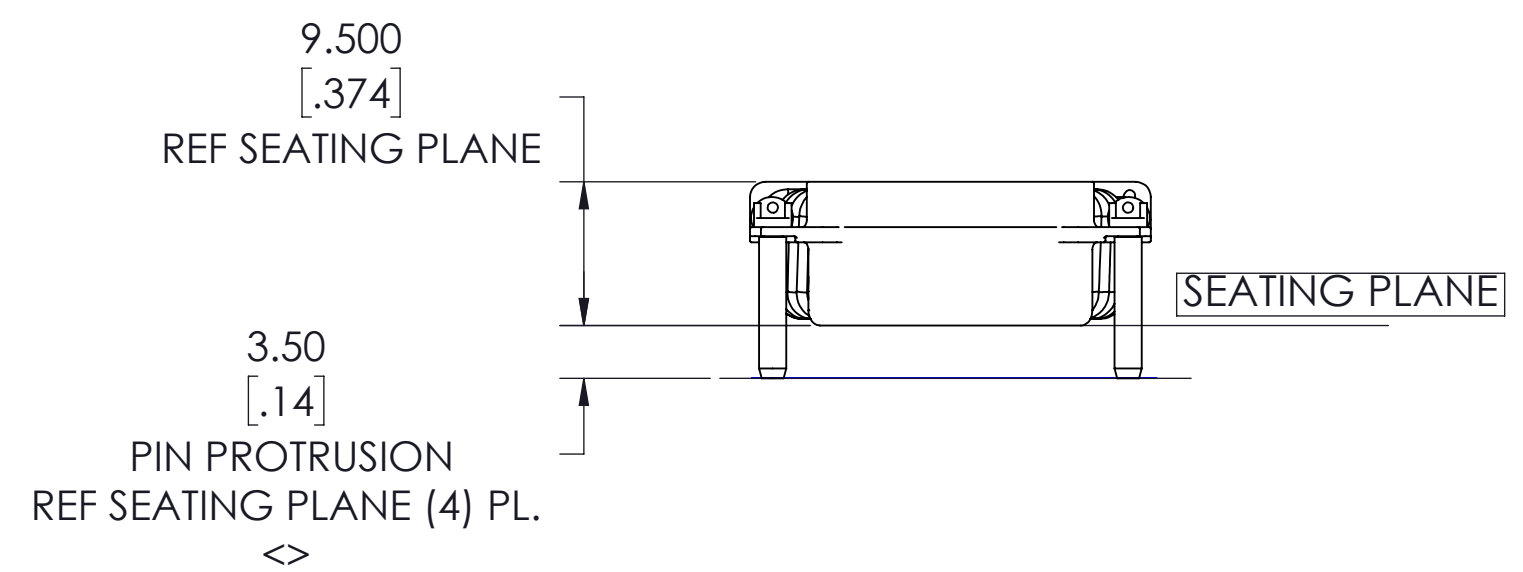
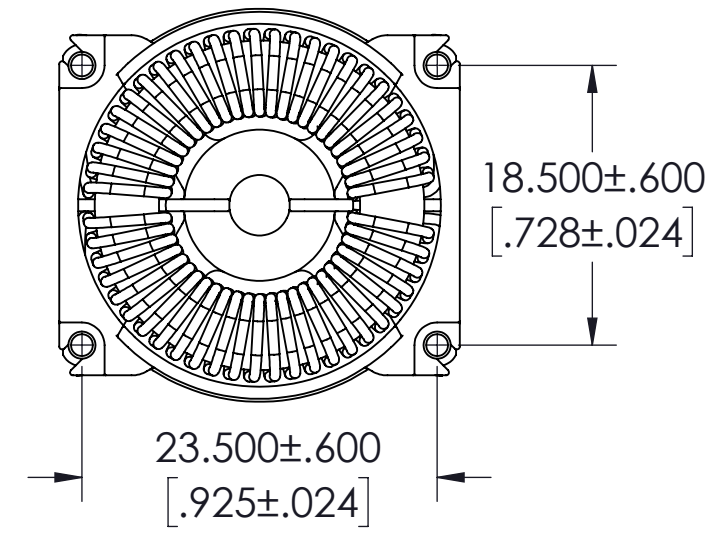
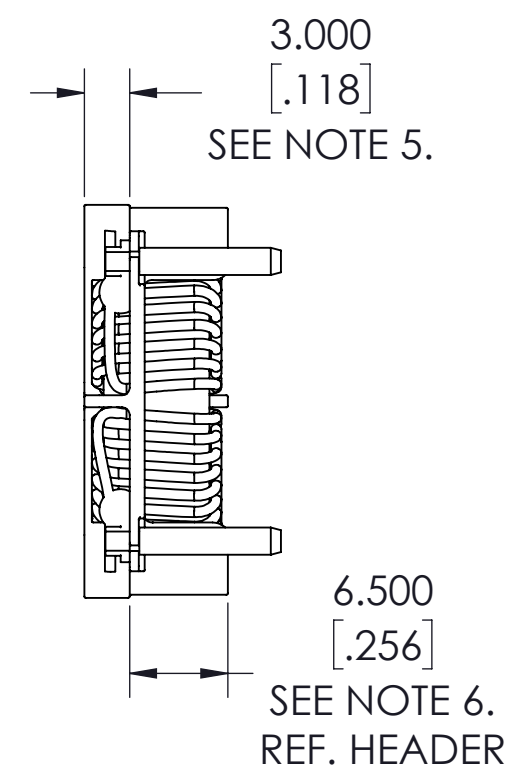
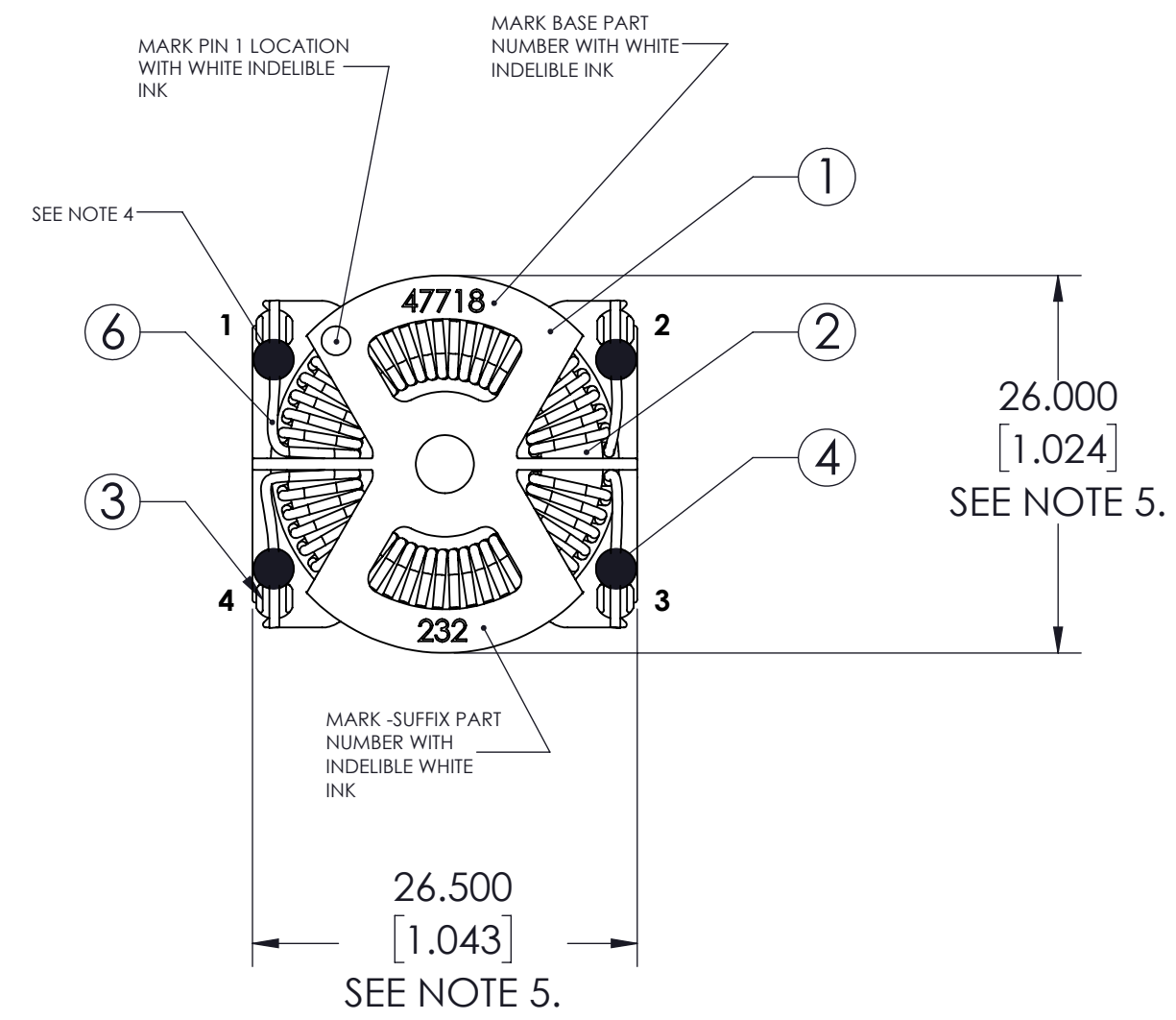


VICOR CONFIDENTIAL
 THIS DOCUMENT AND THE DATA DISCLOSED HEREIN OR HEREWITH IS NOT TO BE REPRODUCED, USED OR DISCLOSED IN WHOLE OR IN PART TO ANYONE WITHOUT THE PERMISSION OF VICOR CORP.

REV.	DESCRIPTION	INTL	DATE	APVD
1	RELEASE PER E190507A	GCK	10/16/19	VD



- NOTES:
- <> WIRE: SINGLE BUILD. UL R/C (OBMW2) MW77C CLASS H 180 °C<>
 - <> WINDINGS ARE SINGLE LAYER, NO OVERLAP ALLOWED
 - <> STRIP AND SOLDER WIRES TO TERMINALS USING Sn95/Sb5 SOLDER
 - <> DISPENSE EPOXY (BOM POSITION 4) AND ENSURE WIRES AND PINS (BOM POSITIONS 6,3) ARE BONDED TO HEADER (BOM POSITION 1)
 - <> SOLDER, EPOXY, WIRES SHALL NOT EXTEND BEYOND HEADER
 - <> WINDINGS SHALL NOT EXTEND BEYOND HEADER
 - <> DENOTES A CRITICAL CHARACTERISTIC AND SHALL BE INSPECTED FOR EVERY LOT
 - RoHS COMPLIANT AND LEAD FREE PER CST-0001 LATEST REVISION

VICOR P/N	INDUCTANCE @ 10 KHz 50 mV	IMPEDANCE @ 1 MHz 50 mV	DCR MAX PER WINDING	RATED CURRENT
47718-232	2.26 mH ±25%	7.0 kΩ MIN	40 mΩ	8.0 A

DRAWN BY Carlos Yero	DATE 03/13/2017	VICOR SWD			
UNLESS OTHERWISE SPECIFIED DIMENSIONS ARE MM (INCH)		INDUCTOR TOROIDAL CM DUAL WINDING TH			
TOLERANCES ARE: DECIMALS ANGLES X.XX [X.X] = ±0.25 [0.01] ±1° X.XXX [X.XX] = ±0.127 [0.005]		SIZE C	CAGE CODE 67131	DWG NO 47717	REV 1
THIRD ANGLE PROJECTION 		SCALE 2:1		SHEET 1 OF 1	

X-ON Electronics

Largest Supplier of Electrical and Electronic Components

Click to view similar products for [Common Mode Chokes / Filters](#) category:

Click to view products by [Vicor](#) manufacturer:

Other Similar products are found below :

[74279408](#) [PE-62911NL](#) [PE-64683](#) [ST6118T-R](#) [T8114NLT](#) [RD5122-10-6M0](#) [TCM0806G-350-2P-T](#) [TCM0806G-650-2P-T](#) [IND-0110](#)
[UAL21V07012500](#) [UALSC023000000](#) [UALSC1520JH000](#) [UALSU16VD40010](#) [UALSU9H0305000](#) [UALSU9HF060300](#)
[UALSU9VD070100](#) [36-00037](#) [5701610000](#) [UALW21HS072450](#) [UALSU9VD070400](#) [UALSU9HF050500](#) [UALSU9H0208000](#)
[UALSCF25081300](#) [UAL24VK06450CH](#) [PLT10HH501100PNB](#) [PLT10HH401100PNB](#) [PLT10HH1026R0PNB](#) [PE-67531](#) [EXC-X4CH120X](#)
[TLH10UB](#) [113 0R5](#) [2752041447](#) [2752045447](#) [CMS3-11-R](#) [7351V](#) [CMF16-153131](#) [744252510](#) [T8116NLT](#) [FE2X10-4-2NL](#) [744253200](#)
[744253101](#) [744252220](#) [TX8111NLT](#) [UAL30VR3500470](#) [CTX01-19077-R](#) [T8003NLT](#) [CTX01-13663](#) [CTX66-19521-R](#) [7446630047](#)
[RC212-0.25-47M](#) [RC112-0.4-15M](#)