

PVIA-5-1×1-TO39-NW-36 PRELIMINARY DATASHEET

InAsSb room temperature optically immersed photovoltaic infrared detector



FEATURES

- Spectral range: 2.6 to 5.3 μm
- III-V material
- No minimum order quantity required

APPLICATIONS

- Gas detection (CO , CO_2 , NO_x)
- Contactless temperature measurements

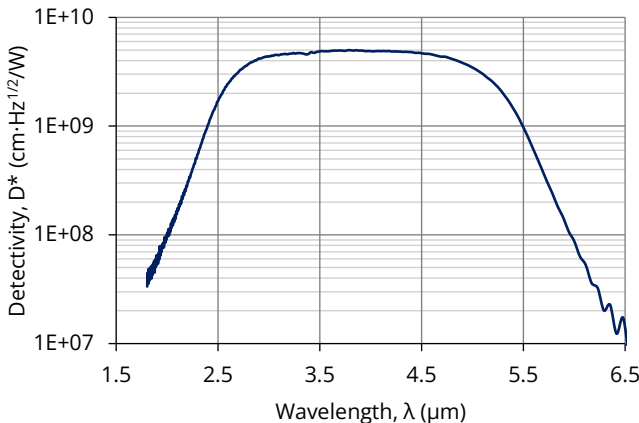
DETECTOR CONFIGURATION

Detector symbol	PVIA-5-1×1-TO39-NW-36
Detector type	photovoltaic
Active element material	epitaxial InAsSb heterostructure
Optical area, A_o	1 mm × 1 mm
Immersion	hyperhemisphere
Cooling	no
Detector package	TO39
Acceptance angle, Φ	~36 deg.
Window	no

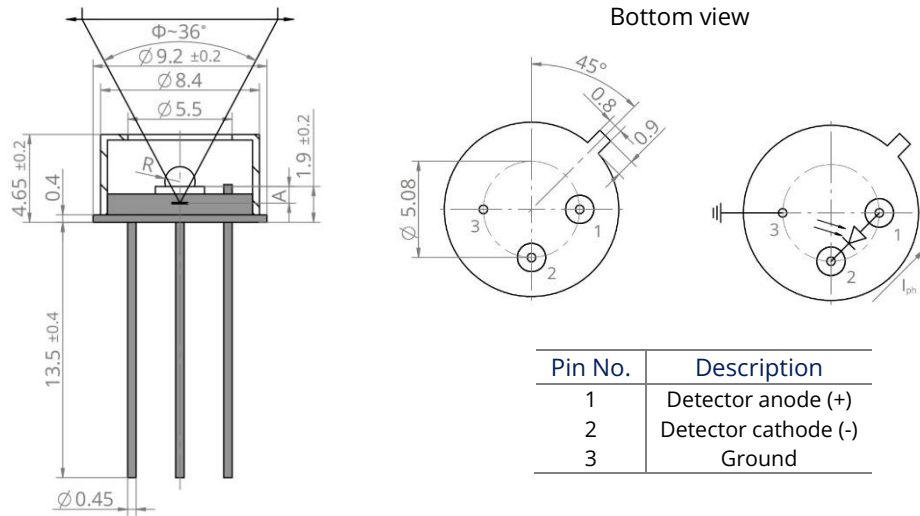
SPECIFICATION ($T_{\text{chip}} = 293 \text{ K}$, $V_b = 0 \text{ V}$, unless otherwise noted)

Parameter	Test conditions / remarks	Value			Unit
		Min.	Typ.	Max.	
Active element temperature, T_{chip}	T_{amb}	-	293	-	K
Cut-on wavelength, $\lambda_{\text{cut-on}}$ (10%)	At 10% percent of peak responsivity	-	-	2.6	μm
Peak wavelength, λ_{peak}		-	4.5	-	μm
Cut-off wavelength, $\lambda_{\text{cut-off}}$ (10%)	At 10% percent of peak responsivity	5.3	-	-	μm
Detectivity, D^*	At λ_{peak} , $f = 20 \text{ kHz}$	5.0×10^9	-	-	$\text{cm}\cdot\text{Hz}^{0.5}/\text{W}$
Current responsivity, R_i	At λ_{peak}	1.2	-	-	A/W
Time constant, τ		-	-	15	ns
Resistance, R		70	-	-	Ω

SPECTRAL RESPONSE (Typ., $T_{\text{chip}} = 293 \text{ K}$)



MECHANICAL LAYOUT AND PINOUT (Unit: mm)



Φ – acceptance angle

R = 0.8 mm (hyperhemisphere microlens radius)

A – distance from the bottom of the immersion lens to the focal plane

ABSOLUTE MAXIMUM RATINGS

Parameter	Test conditions / remarks	Value	Unit
Maximum incident optical power density	Continuous wave (CW) or single pulses >1 μ s duration	2.5	W/cm ²
	Single pulses <1 μ s duration	10	kW/cm ²
Soldering temperature	Within 5 s or less	≤370	°C
Ambient operating temperature T _{amb}		-20 to 70	°C
Storage temperature T _{stg}		-20 to 85	°C
Storage humidity	No dew condensation	10 to 90	%

Stresses beyond those listed under Absolute Maximum Ratings may cause permanent damage to the device.

Constant or repeated exposure to absolute maximum rating conditions may affect the quality and reliability of the device.

X-ON Electronics

Largest Supplier of Electrical and Electronic Components

Click to view similar products for [Photoelectric Sensors](#) category:

Click to view products by [Vigo Photonics](#) manufacturer:

Other Similar products are found below :

[7442AD2X5FRX](#) [7443AR0X5FRX](#) [7452AD4D4NNX](#) [7655AR-04-F-1-2-RX](#) [7694ADE04DS2X](#) [FE7C-FRC6S-M](#) [FX-305](#) [Q45VR2FPQ](#)
[Q45VR2LVW/8](#) [E3JUXM4MN](#) [E3S3LE21](#) [E3SCT11M1J03M](#) [E3VDS70C43S](#) [E3XNM16](#) [BR23P](#) [HOA6563-001](#) [OJ-3307-30N8](#) [OS-](#)
[311A-30](#) [P34036](#) [P60001](#) [PB10CNT15PO](#) [S14132](#) [S52101](#) [S56258](#) [SH-32R](#) [FD-SN500](#) [SU-79](#) [T36342](#) [T40300](#) [T60001](#) [PD60CNX20BP](#)
[FX-302-HY](#) [PX-22](#) [PZ2-51P](#) [CX-491-P-J](#) [CYNUTX10](#) [UZB802](#) [UZB803](#) [UZFRG1](#) [UZFRG4](#) [UZFRT4](#) [UZFTT8](#) [ZX-XC4A 4M](#) [E3D-](#)
[R3Y1](#) [E3E23Y2US](#) [E3E-R1Y2](#) [E3SDS20E1](#) [E3TFD14N](#) [E3XR-CC4](#) [E3ZT61M1J03M](#)