



Features:

- 1W Small Compact Size - PCB Mount
- Single Output - Regulated
- Input: 90 - 265VAC , 47 - 63Hz (100 - 370VDC)
- Output Range: 3.3V - 48VDC
- Low Standby Power <0.3W
- Low Ripple & Noise
- Encapsulated Design
- Fully Isolated Pri - Sec >4200Vrms
- Insulation: Class II
- Materials: UL94-V0
- Safety: EN61558, EN60950, CE

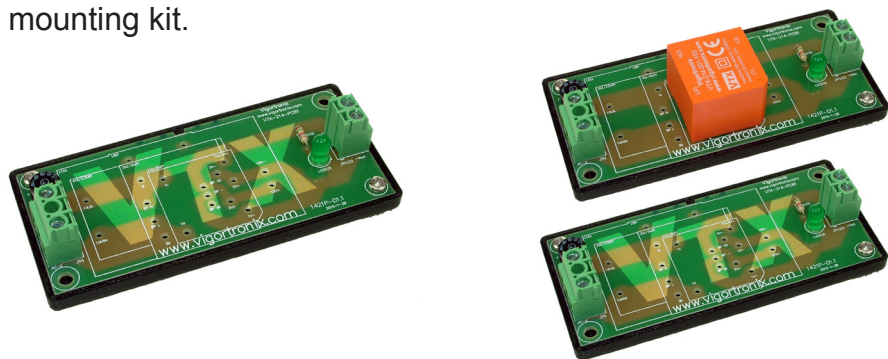
| Part Number | Power Rating Watts | Output Voltage (VDC) | Output Current (mA) | Ambient Temp. (°C) | Efficiency Typical | Input Range |
|-----------------|-----------------------|----------------------------|------------------------|-----------------------|-----------------------|-------------------------------|
| VTX-214-001-103 | 1 | 3.3 | 300 | 70 | >60% | 90 - 265VAC (100 - 370VDC) |
| VTX-214-001-105 | 1 | 5 | 200 | | | |
| VTX-214-001-106 | 1 | 6 | 167 | | | |
| VTX-214-001-107 | 1 | 7.5 | 133 | | | |
| VTX-214-001-108 | 1 | 8 | 125 | | | |
| VTX-214-001-109 | 1 | 9 | 111 | | | |
| VTX-214-001-110 | 1 | 10 | 100 | | | |
| VTX-214-001-112 | 1 | 12 | 85 | | | |
| VTX-214-001-115 | 1 | 15 | 67 | | | |
| VTX-214-001-118 | 1 | 18 | 55 | | | |
| VTX-214-001-124 | 1 | 24 | 42 | | | |
| VTX-214-001-148 | 1 | 48 | 21 | | | |

Note: Other output voltages are available upon request.

Optional Universal PCB mounting kit.

Part Number:

VTX-214-PCB1



Please contact Vigortronix for any enquiries. Products can be altered to suit custom requirements.
The information contained in this document is subject to change without notice.

Vigortronix, 16 De Havilland Way, Witney, Oxfordshire, OX29 0YG, UK

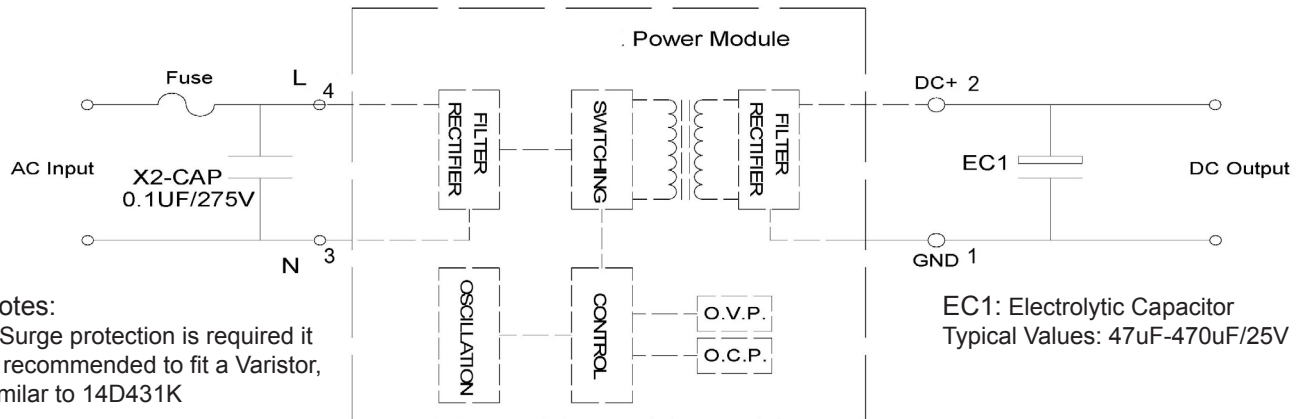
Tel. +44 (0)1993 777570 Fax. +44 (0)1993 777580 Web. www.vigortronix.com E-mail: sales@vigortronix.com

Vigortronix is a trading name of Vigortronix (UK) Limited

| Model: 1 Watt | | Specification |
|---|--------------------------|---|
| INPUT Pin 4: L Pin 3: N | Voltage Range | 90 ~ 264VAC / 47 ~ 63Hz (120VDC ~ 370VDC) |
| | Current | 10mA Max (100VAC) / 7mA Max (240VAC) |
| | Inrush Current | 15A Max (100VAC) / 25A Max (240VAC) |
| | No Load power | 0.3W Max |
| | Leakage Current | 0.1 mA Max |
| OUTPUT Pin 2: DC+ Pin 1: GND | Voltage Accuracy | <5% |
| | Ripple | <50mV Max (Vp~p) |
| | Noise | <5% Vout Max (Vp~p) |
| | Efficiency | >60% |
| | Minimum Load | 0 |
| Protection | Over Power | Hiccup mode |
| | Over Voltage | Hiccup mode |
| | Short Circuit Protection | Hiccup mode |
| Dielectric Isolation | Input to Output | 3600Vrms, 5mA 1 Min (4200VAC 2sec) |
| Environment | Operating Temperature | -25°C ~ +70°C (+80°C, 50% Load) |
| | Storage Temperature | -40°C ~ +105°C |
| | MTBF | >300,000Hrs @ 25°C (MIL-HDBK-217F) |
| | Weight | 20g |
| Safety | Agency Approval | Compliance with EN60950-1, EN61558-1, EN61558-2-6, EN61558-2-17 |
| EMC | EMI | Compliance with EN55022 Class B |
| | EMS | Compliance with EN55024, EN55014-1, EN55014-2, EN61000-3-2 Class A, EN61000-3-3 |

Please contact Vigortronix for any enquiries. Products can be altered to suit custom requirements.
 The information contained in this document is subject to change without notice.

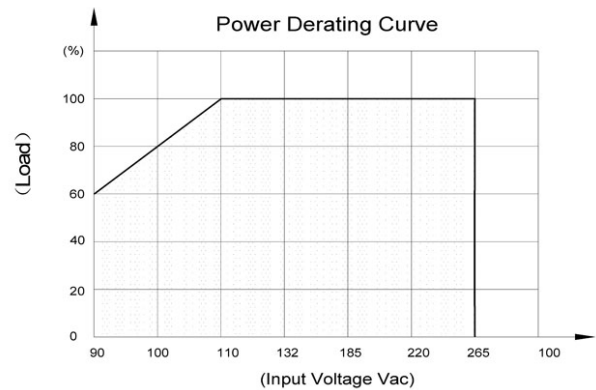
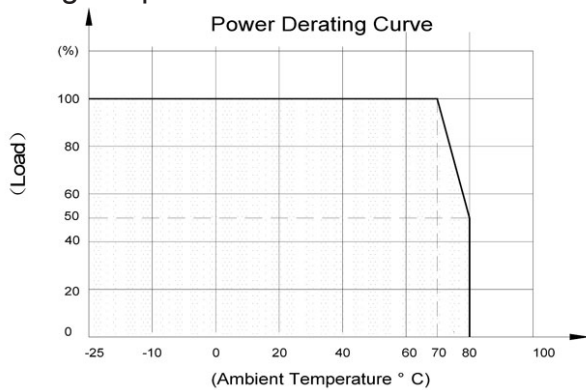
Recommended Application Schematic for EMC



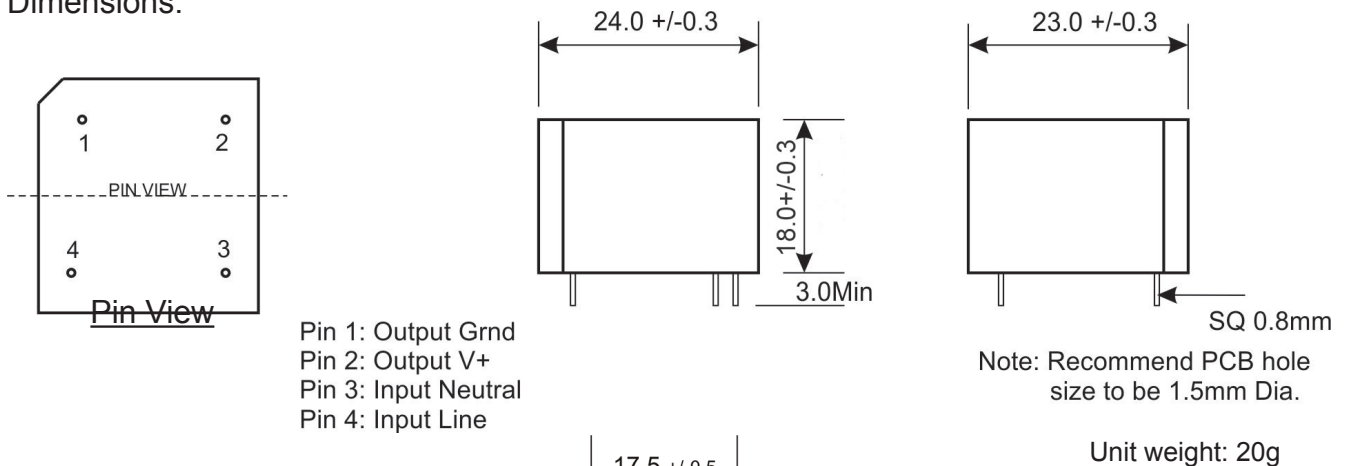
Notes:
If Surge protection is required it is recommended to fit a Varistor, similar to 14D431K

EC1: Electrolytic Capacitor
Typical Values: 47uF-470uF/25V

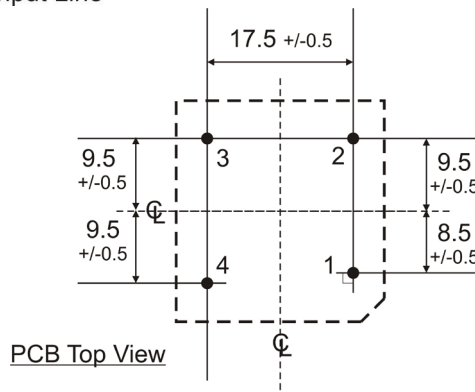
Derating Graph:



Dimensions:



PCB Layout



Recommended PCB
Hole size: 1.5mm Dia.

Please contact Vigortronix for any enquiries. Products can be altered to suit custom requirements.
The information contained in this document is subject to change without notice.

X-ON Electronics

Largest Supplier of Electrical and Electronic Components

Click to view similar products for [vigortronix](#) manufacturer:

Other Similar products are found below :

[VTX-214-001-106](#) [VTX-214-010-209](#) [VTX-214-010-212](#) [VTX-214-005-0524](#) [VTX-214-001-305](#) [VTX-146-015-225](#) [VTX-146-100-212](#)
[VTX-146-120-218](#) [VTX-214-006-106](#) [VTX-214-001-124](#) [VTX-214-003-306](#) [VTX-214-0005-107](#) [VTX-121-3023-218](#) [VTX-146-060-215](#)
[VTX-146-100-224](#) [VTX-146-625-225](#) [VTX-214-020-124](#) [VTX-146-100-218](#) [VTX-146-300-230](#) [VTX-101-003](#) [VTX-214-005-0312](#) [VTX-](#)
[214-001-306](#) [VTX-214-001-318](#) [VTX-214-001-324](#) [VTX-214-003-315](#) [VTX-102-000](#) [VTX-214-001-312](#) [VTX-121-3015-412](#) [VTX-120-](#)
[5412-406](#) [VTX-214-005-015](#) [VTX-214-003-109](#) [VTX-131-001](#) [VTX-214-002-305](#) [VTX-146-500-240](#) [VTX-146-160-230](#) [VTX-146-500-230](#)
[VTX-214-005-424](#) [VTX-121-3023-418](#) [VTX-214-002-118](#) [VTX-214-001-309](#) [VTX-146-050-218](#) [VTX-214-003-106](#) [VTX-120-006-509](#)
[VTX-214-005-0324](#) [VTX-214-002-312](#) [VTX-214-001-312X](#) [VTX-214-010-206](#) [VTX-214-002-107](#) [VTX-214-002-106](#) [VTX-214-001-303](#)