



Features:



- 3W Small Mini Size - PCB Mount
- Single Output - Regulated
- Input: 90 - 265VAC , 47 - 63Hz (100 - 370VDC)
- Output Range: 3.3V - 48VDC
- Low Standby Power <0.3W
- Low Ripple & Noise
- Encapsulated Design
- Fully Isolated Pri - Sec >3600Vrms
- Insulation: Class II
- Materials: UL94-V0
- Safety: EN61558, EN60950, CE

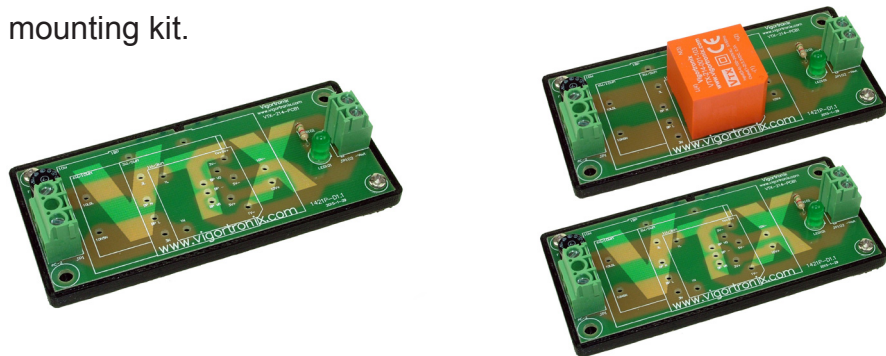
Part Number	Power Rating Watts	Output Voltage (VDC)	Output Current (mA)	Ambient Temp. (°C)	Efficiency Typical	Input Range
VTX-214-003-203	3	3.3	900	70	>65%	90 - 265VAC (100 - 370VDC)
VTX-214-003-205	3	5	600			
VTX-214-003-206	3	6	500			
VTX-214-003-207	3	7.5	400			
VTX-214-003-208	3	8	375			
VTX-214-003-209	3	9	333			
VTX-214-003-210	3	10	300			
VTX-214-003-212	3	12	250			
VTX-214-003-215	3	15	200			
VTX-214-003-218	3	18	166			
VTX-214-003-224	3	24	125			
VTX-214-003-248	3	48	62			

Note: Other output voltages are available upon request.

Optional Universal PCB mounting kit.

Part Number:

VTX-214-PCB1



Please contact Vigortronix for any enquiries. Products can be altered to suit custom requirements.
The information contained in this document is subject to change without notice.

Vigortronix, 16 De Havilland Way, Witney, Oxfordshire, OX29 0YG, UK

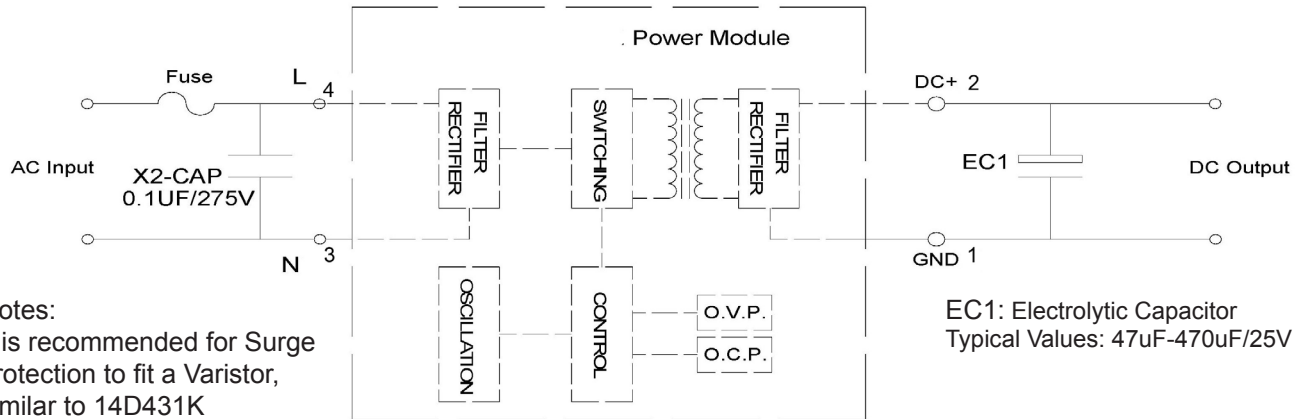
Tel. +44 (0)1993 777570 Fax. +44 (0)1993 777580 Web. www.vigortronix.com E-mail: sales@vigortronix.com

Vigortronix is a trading name of Vigortronix (UK) Limited

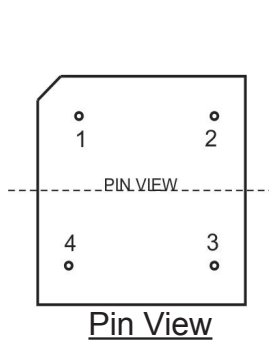
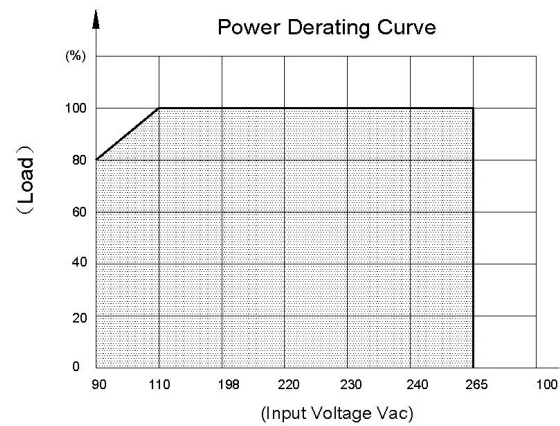
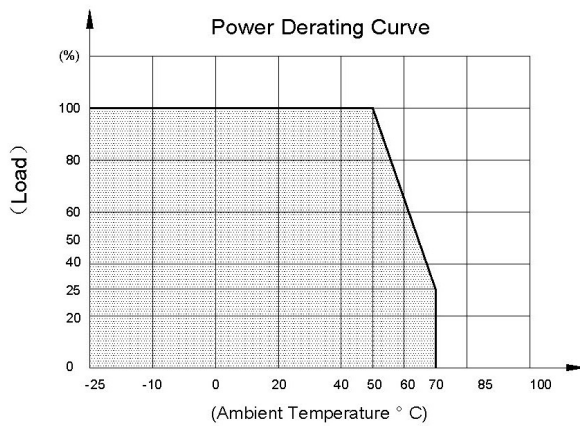
Model: 3 Watt		Specification
INPUT Pin 4: L Pin 3: N	Voltage Range	90 ~ 264VAC / 47 ~ 63Hz
	Current	10mA Max (240VAC)
	Inrush Current	15A Max (100VAC) / 25A Max (240VAC)
	No Load power	<0.3W
	Leakage Current	0.1 mA Max
OUTPUT Pin 2: DC+ Pin 1: GND	Voltage Accuracy	+/-5%
	Ripple	<50mV Max (Vp~p)
	Noise	<5% Vout Max (Vp~p)
	Efficiency	>65%
	Minimum Load	0
	Switching Frequency	100KHz
	Hold Up Time	15 ms
Protection	Over Power	Hiccup mode
	Over Voltage	Hiccup mode
	Short Circuit Protection	Hiccup mode
Dielectric Isolation	Input to Output	3600Vrms, 5mA 1 Min (4200VAC 2sec)
Environment	Operating Temperature	-25°C ~ +70°C
	Storage Temperature	-40°C ~ +105°C
	MTBF	>300,000Hrs @ 25°C (MIL-HDBK-217F)
	Weight	20g
Safety	Agency Approval	Compliance with EN60950-1, EN61558-1, EN61558-2-6, EN61558-2-17
EMC	EMI	Compliance with EN55022 Class B
	EMS	Compliance with EN55024, EN55014-1, EN55014-2, EN61000-3-2 Class A, EN61000-3-3

Please contact Vigortronix for any enquiries. Products can be altered to suit custom requirements.
 The information contained in this document is subject to change without notice.

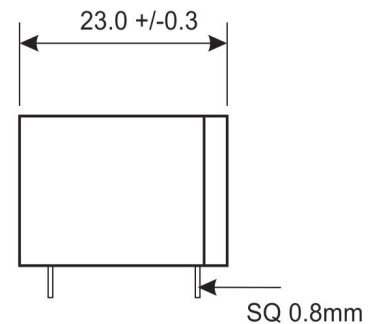
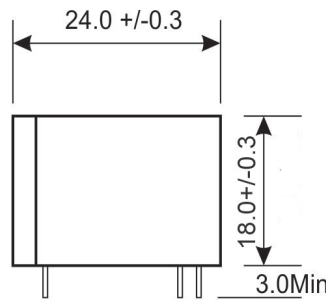
Recommended Application Schematic for EMC



Derating Graph:



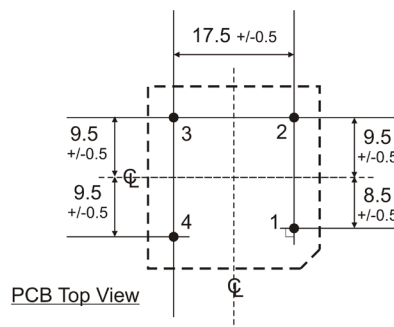
Pin 1: Output Grnd
Pin 2: Output V+
Pin 3: Input Neutral
Pin 4: Input Line



Note: Recommend PCB hole size to be 1.5mm Dia.

Unit weight: 20g

PCB Layout



Recommended PCB Hole size: 1.5mm Dia.

Please contact Vigortronix for any enquiries. Products can be altered to suit custom requirements.
The information contained in this document is subject to change without notice.

Vigortronix, 16 De Havilland Way, Witney, Oxfordshire, OX29 0YG, UK

Tel. +44 (0)1993 777570 Fax. +44 (0)1993 777580 Web. www.vigortronix.com E-mail: sales@vigortronix.com

Vigortronix is a trading name of Vigortronix (UK) Limited

X-ON Electronics

Largest Supplier of Electrical and Electronic Components

Click to view similar products for [vigortronix](#) manufacturer:

Other Similar products are found below :

[VTX-120-4206-415](#) [VTX-120-012-509](#) [VTX-214-001-106](#) [VTX-214-010-209](#) [VTX-214-010-212](#) [VTX-214-005-412](#) [VTX-214-005-0524](#)
[VTX-214-001-305](#) [VTX-146-015-225](#) [VTX-146-100-212](#) [VTX-146-120-218](#) [VTX-214-006-106](#) [VTX-120-003-620](#) [VTX-214-001-124](#)
[VTX-214-003-306](#) [VTX-214-0005-107](#) [VTX-121-3023-218](#) [VTX-146-060-215](#) [VTX-146-100-218](#) [VTX-146-300-230](#) [VTX-101-003](#) [VTX-](#)
[214-005-0312](#) [VTX-214-001-306](#) [VTX-214-001-318](#) [VTX-214-003-315](#) [VTX-146-100-224](#) [VTX-214-001-312](#) [VTX-121-3015-412](#) [VTX-](#)
[120-5412-406](#) [VTX-214-005-015](#) [VTX-146-625-225](#) [VTX-214-003-109](#) [VTX-131-001](#) [VTX-214-002-305](#) [VTX-102-000](#) [VTX-146-160-230](#)
[VTX-146-500-230](#) [VTX-146-500-240](#) [VTX-214-020-124](#) [VTX-214-005-424](#) [VTX-121-3023-418](#) [VTX-214-002-118](#) [VTX-214-001-309](#)
[VTX-214-003-106](#) [VTX-214-005-0324](#) [VTX-214-001-324](#) [VTX-214-002-312](#) [VTX-146-050-218](#) [VTX-120-006-509](#) [VTX-214-001-312X](#)