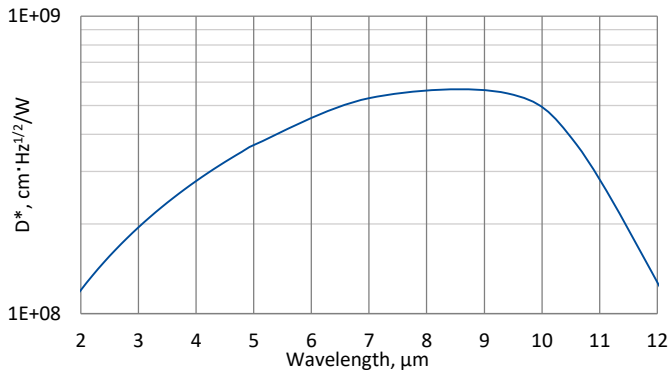


UM-I-10.6

2.0 – 12.0 μm and DC – 100 MHz HgCdTe universal IR detection module with optically immersed photovoltaic multiple junction detector

UM-I-10.6 is universal „all-in-one“ IR detection module. Thermoelectrically cooled, optically immersed photovoltaic detector, based on HgCdTe heterostructure, is integrated with transimpedance, DC coupled preamplifier, a fan and a thermoelectric cooler controller in a compact housing. 3° wedged zinc selenide anti-reflection coated window prevents unwanted interference effects. UM-I-10.6 detection module is very convenient and user-friendly device, thus can be easily used in a variety of LWIR applications.

Spectral response ($T_a = 20^\circ\text{C}$)



Exemplary spectral detectivity, the spectral response of delivered devices may differ.



Specification ($T_a = 20^\circ\text{C}$)

Parameter	Typical value
Optical characteristics	
Cut-on wavelength $\lambda_{\text{cut-on}}$ (10%), μm	≤ 2.0
Peak wavelength λ_{peak} , μm	8.5 ± 1.5
Optimum wavelength λ_{opt} , μm	10.6
Cut-off wavelength $\lambda_{\text{cut-off}}$ (10%), μm	≥ 12.0
Detectivity $D^*(\lambda_{\text{peak}})$, $\text{cm}\cdot\text{Hz}^{1/2}/\text{W}$	$\geq 5.5 \times 10^8$
Detectivity $D^*(\lambda_{\text{opt}})$, $\text{cm}\cdot\text{Hz}^{1/2}/\text{W}$	$\geq 3.7 \times 10^8$
Output noise density v_n (averaged over 1 MHz to f_{hi}), $\text{nV}/\text{Hz}^{1/2}$	≤ 330
Electrical parameters	
Voltage responsivity $R_v(\lambda_{\text{peak}})$, V/W	$\geq 9.7 \times 10^2$
Voltage responsivity $R_v(\lambda_{\text{opt}})$, V/W	$\geq 6.5 \times 10^2$
Low cut-off frequency f_{lo} , Hz	DC
High cut-off frequency f_{hi} , Hz	$\geq 100\text{M}$
Output impedance R_{out} , Ω	50
Output voltage swing V_{out} , V	± 1 ($R_L = 50 \Omega^*$)
Output voltage offset V_{off} , mV	max ± 20
Power supply voltage V_{sup} , V	+5
DC monitor (approx. 0 V offset)	
Voltage responsivity $R_v(\lambda_{\text{peak}})$, V/W	$\geq 2.2 \times 10^2$
Voltage responsivity $R_v(\lambda_{\text{opt}})$, V/W	$\geq 1.5 \times 10^2$
Low cut-off frequency f_{lo} , Hz	DC
High cut-off frequency f_{hi} , Hz	150k
Other information	
Active element material	epitaxial HgCdTe heterostructure
Optical area A_o , $\text{mm}\times\text{mm}$	1x1
Window	wedged zinc selenide AR coated (wZnSeAR)
Acceptance angle Φ	$\sim 36^\circ$
Ambient operating temperature T_a , $^\circ\text{C}$	10 to 30
Signal output socket	SMA
DC monitor socket	SMA
Power supply socket	DC 2.5/5.5
Mounting hole	M4
Fan	yes

Features

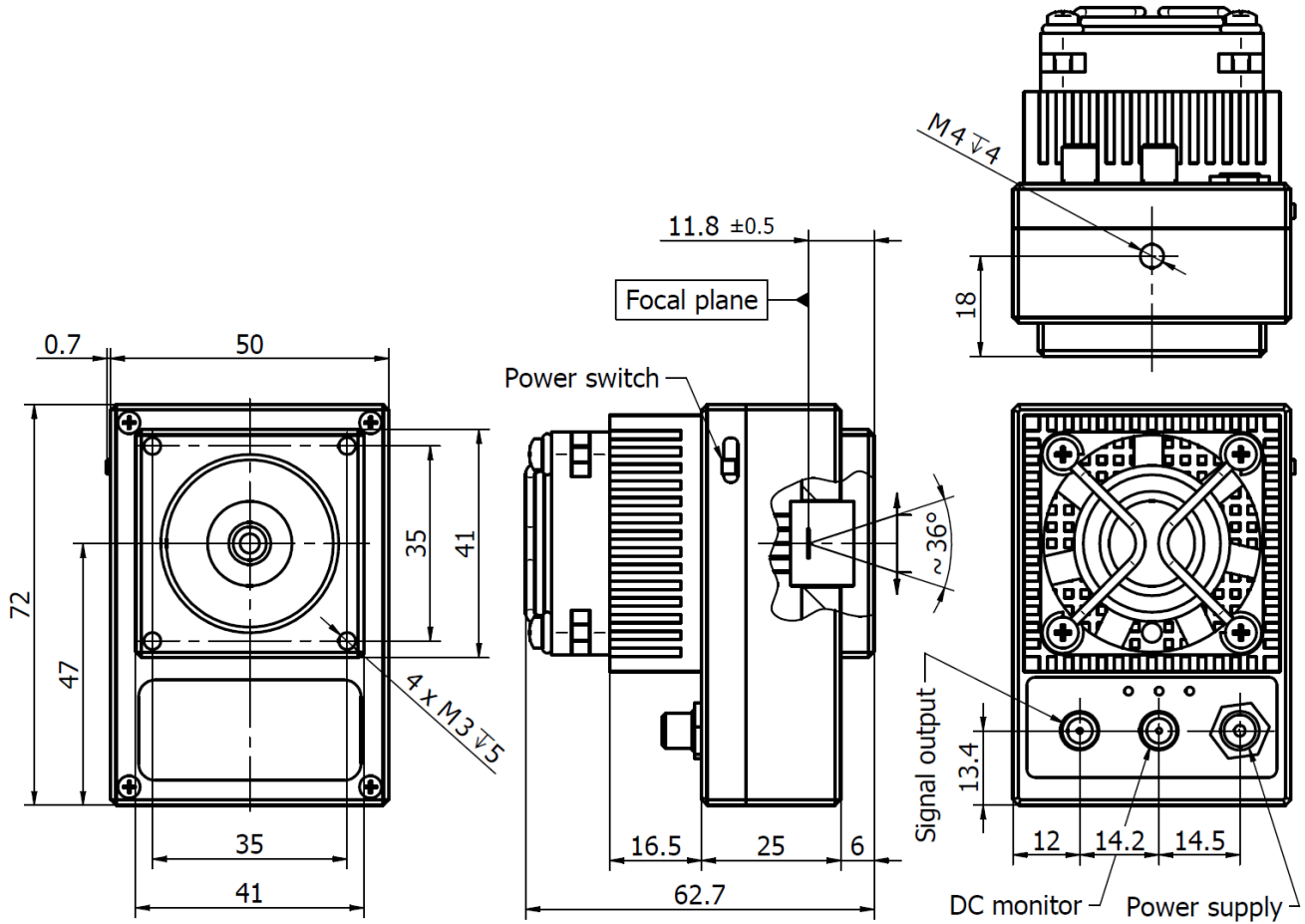
- Integrated TEC controller and fan
- Single power supply
- DC monitor
- Sensitive to IR radiation polarisation
- Optimised for effective heat dissipation
- Compatible with optical accessories
- Cost effective OEM version available
- Universal and flexible
- Quantity discounted price
- Fast delivery

Applications

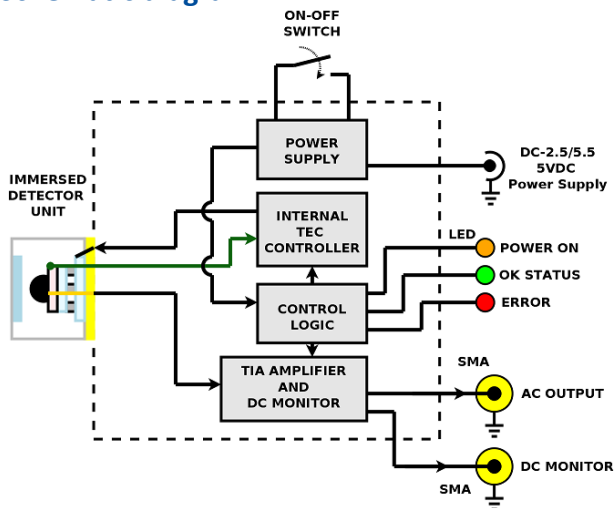
- Gas detection, monitoring and analysis
- CO₂ laser (10.6 μm) measurements
- Laser power monitoring and control
- Laser beam profiling and positioning
- Laser calibration

*) R_L – load resistance

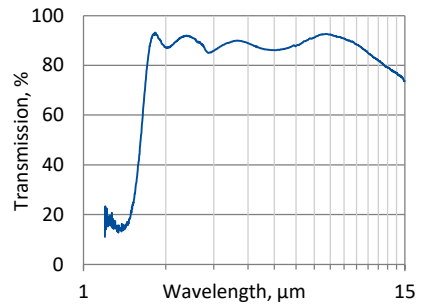
Mechanical layout, mm



Schematic diagram



Spectral transmission of wZnSeAR window (typical example)



Included accessories

- 2x SMA-BNC cables + AC adaptor

Dedicated accessories

- OTA optical threaded adapter
- DRB-2 base mounting system

X-ON Electronics

Largest Supplier of Electrical and Electronic Components

Click to view similar products for [Photoelectric Sensors](#) category:

Click to view products by [Vigo System](#) manufacturer:

Other Similar products are found below :

[7442AD2X5FRX](#) [EX-19B-LP](#) [EX-19SB-PN](#) [7443AR0X5FRX](#) [7452AD4D4NNX](#) [F3WD052C5M](#) [7694ADE04DS2X](#) [FE7C-FRC6S-M](#) [FX-305](#) [PM-R24-R](#) [Q45VR2FPQ](#) [13104RQD07](#) [E3JUXM4MN](#) [E3L2DC4](#) [E3S3LE21](#) [E3SCT11M1J03M](#) [E3SDS20E21](#) [E3VDS70C43S](#)
[E3XNM16](#) [BR23P](#) [HOA6563-001](#) [OJ-3307-30N8](#) [OS-311A-30](#) [P32013](#) [P34036](#) [P43004](#) [P60001](#) [PB10CNT15PO](#) [S14132](#) [935286-000](#)
[S52101](#) [S56258](#) [FD-SN500](#) [FE7B-FDRB6-M](#) [SU-79](#) [T36342](#) [T40300](#) [T60001](#) [PD60CNX20BP](#) [FX-302-HY](#) [FZS](#) [PM-T64W](#) [PZ2-51P](#) [CX-491-P-J](#) [CYNUTX10](#) [UZB802](#) [UZB803](#) [UZFRG1](#) [UZFRG4](#) [UZFRT4](#)